



PECO

PETROLEUM EQUIPMENT COMPANY

PRODUCT CATALOG

2026

Oklahoma City, OK

405-672-6303

Kilgore, TX

903-235-9446

Vernal, UT

435-828-0694

Williston, ND

701-651-2984

Sect. 1 B.O.P.s & PARTS

1-1	7 1/16" 3M Wellsite Duke Manual
1-2	7 1/16" 3M Townsend T-81 Manual
1-3	7 1/16" 3M Sentinel Manual
1-4	7 1/16" 3M Sentinel II Manual
1-5	7 1/16" 3M Wellsite Duke Hydraulic
1-6	7 1/16" 3M Townsend T-81 Hydraulic
1-7	7 1/16" 5M Townsend T-81 Hydraulic
1-8	9" 3M/5M Townsend T-81 Hydraulic
1-9	7 1/16" 3M Sentinel Hydraulic
1-10	7 1/16" 3M Sentinel II Hydraulic
1-11	7 1/16" 5M Sentinel II Hydraulic
1-12	9" 3M Sentinel II Hydraulic
1-13	7 1/16" 5M Chasovoy
1-14	7 1/16" 5M LXT
1-15	7 1/16" 5M TYPE 61 (LWS) & Townsend T-82
1-16	11" 3M TYPE 70 (LWS) & Townsend T-82
1-17	11" 5M TYPE 70 (LWS) & Townsend T-82
1-18	7 1/16" 3M-15M Type U
1-19	11" 3M-10M Type U
1-20	7 1/16" Integrated
1-21	Shaffer Style Annular
1-22	Hydril GK Style Annular

Sect. 2 RUBBER GOODS

2-1	Ram Packers & Top Seals
2-2	Stripping Rubbers & Heads
2-3	Annular Elements

Sect. 3 HANDLING TOOLS & PARTS

3-1	MYT Elevator
3-2	YT Elevator
3-3	HYT Elevator
3-4	YC Elevator
3-5	TA- Series
3-6	G-Series
3-7	Safety Clamps
3-8	MODEL C / CHD SLIP
3-9	TS-100 Bowl & Slips
3-10	"DU" Style Drill Pipe Slip
3-11	"SD" Style Drill Pipe Slip
3-12	Woolley "B" Style Drill Pipe Slip
3-13	"C-1" Style Drill Collar Slip
3-14	Woolley "A" Style Drill Collar Slip
3-15	"DCS" Style Drill Collar Slip
3-16	"CMS" Style Casing Slip
3-17	"UC" Style Casing Slip
3-18	Safety Flex Handles
3-19	"RS" Hyd. Tubing Tong
3-20	45000 Hyd. Tubing Tong
3-21	55000 Hyd. Tubing Tong
3-22	MS Back-Up Assembly & Parts
3-23	Hyd. Rod Tong
3-24	BJ Style "B" Manual Tong

3-25	BJ Style "C" Manual Tong
3-26	BJ Style "DB" Manual Tong
3-27	WEB WILSON Style "AAX" Manual Tong
3-28	Manual Tong Handles & Dies

Sect. 4 FLOAT VALVES & PARTS

4-1	Plunger & Flapper Float Valves
-----	--------------------------------

Sect. 5 LANDING NIPPLES, VALVE SUBS & MORE

5-1	Landing Nipples
5-2	Valve Subs & More

Sect. 6 SAFETY and KELLY VALVES & PARTS

6-1	Safety Valves
6-2	Kelly Valves

Sect. 7 RING JOINT GASKETS & STUDS

7-1	R, RX, BX, Low Carbon Steel, Stainless Steel, Rubber Coated
7-1	All Thread, Tap End, Combo

Sect. 8 STABBING GUIDES, THREAD PROTECTORS, FLOWLINE PRODUCTS, & MORE

8-1	Standard Rubber Stabbing Guide
8-2	Heavy Duty Stabbing Guide
8-3	Pressure Gauges & Needle Valves
8-4	Thread Protectors
8-5	Swivel Joints
8-6	Oteco Style Pressure Relief Valve
8-7	Demco Style Pressure Relief Valve
8-8	Plug Valves
8-9	Mud Gauges
8-10	Lifting Bails
8-11	Lubricants & Cleaning Towels
8-12	Rough Cut Oak Lumber
8-13	Also Available & In Stock

Sect. 9 POWER SWIVELS & PARTS

9-1	Bowen S-2.5 (85TON)
9-2	Bowen S-3.5 (120TON)
9-3	Bowen S-45

Sect. 10 GATE VALVES

10-1	Hydraulic "FC" Style
10-2	Manual "FC" Style
10-3	Manual "WKM" Style

Sect. 11 DIES & INSERTS

11-1	Elevator Dies / Inserts
11-2	Tong Dies / Inserts
11-3	Manual Slip Dies
1-4	Spider Slip Inserts / Dies

Sect. 12 ELEVATOR SPRINGS

12-1	"BJ" Style Slip Type
12-2	"BJ" Style A-Series
12-3	"BJ" Style G & X - Series
12-4	"Web Wilson" Style
12-5	"Woolley Tool MFG." Style

Sect. 13 TONG SPRINGS

13-1	Manual Tong Springs
------	---------------------

Sect. 14 ELEVATOR BORE CHARTS

14-1	Elevator Bore Charts
------	----------------------



B.O.P.s & PARTS





7 1/16" 3M Wellsite Duke Manual BOP

PARTS LIST

ITEM	PECO PN#	DESCRIPTION
1	-	Body
2	-	1 1/8" x 5 5/8" Stud
3	-	1 1/8" Nut
4	-	1" Nut
5	-	1" x 4 1/4" Stud
6	220066P	Old Style Pillow Block Bearing
7	220067P	1/2" x 2" Pillow Block Hex Head Cap Screw
8	220069P	Bearing
9	220070P	Bearing Race Ring
10	220072P	Grease Plate Snap Ring
11	220073P	1/4" Grease Fitting
12	40338P	Slave Sprocket Snap Ring
13	220075P	Chain
14	10724P	Bonnet 3/4" x 1 1/2" Socket Head Cap Screw
15	220077P	Drive Sprocket Snap Ring
16	220082P	Lifting Plate Set
17	-	Hand Wheel
18	220087P	Hand Wheel Plug
19	-	Universal Joint
20	220182P	O-RING Packing Gland
21	DS188	Molded Door Gasket (Seal)
21	DS088	O-Ring Door Gasket (Seal)
22	222250P	Ram Shaft Wiper Ring
24	223102P	Slave Sprocket
25	223103P	Drive Sprocket
26	721542P	Dust Cap
27	721513P	Left Hand Ram Shaft
28	721522P	Right Hand Ram Shaft
29	223107P	Dust Cover
30	223108P	Right Hand Stem Nut
31	223109P	Left Hand Stem Nut
32	223110P	Bonnet
33	223111P	Packing Gland
34	223222P	Female Packing Ring
34a	223221P	Male Packing Ring
34b	223223P	Shaft Packing
36	223115P	Drive Shaft
37	223116P	Sprocket Protector
38	223117P	Ram Guide Pin
39	223118P	Alignment Plug
40	223119P	End Cover
41	223122P	Door Plate
43	223137P	Barrier Ring
44	220211P	Alignment Plug & Bonnet O-ring
45	220181P	Ram Shaft O-ring
50	SEE TABLE	Ram Assy.

RAM BLOCKS

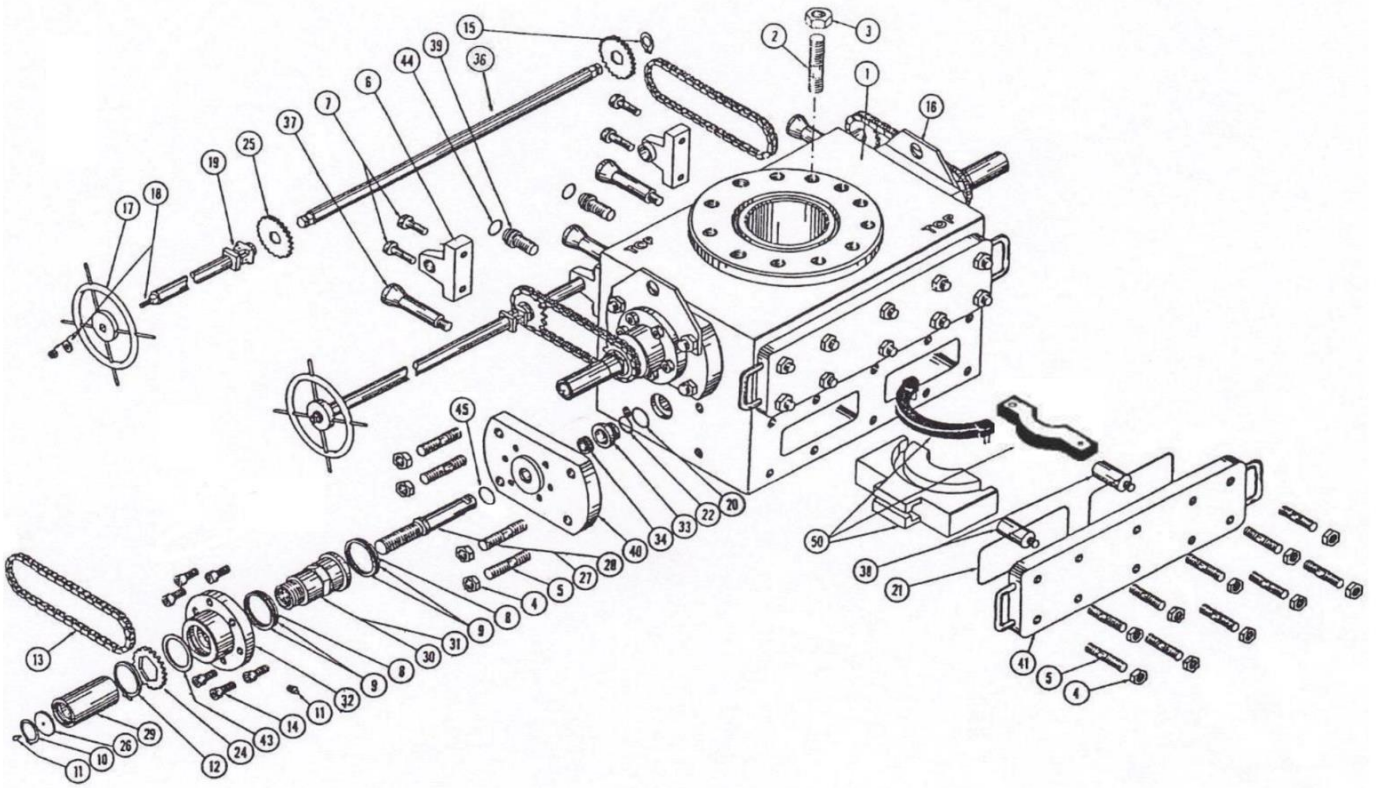
PECO PN#	SIZE
RB71000	CSO
RB71000FB	CSO Flat Back
RB71013	1.315"
RB71016	1.660"
RB71019	1.900"
RB71021	2 1/16"
RB71021OS	2 1/16" Offset
RB71023	2 3/8"
RB71023OS	2 3/8" Offset
RB71027	2 7/8"
RB71027OS	2 7/8" Offset
RB71034	3 1/2"
RB71040	4"
RB71044	4 1/2"
RB71050	5"
RB71054	5 1/2"

TOP SEAL & PACKERS

PECO PN#	SIZE
TS3023ST	Top Seal (Std.)
TS3023HC	Top Seal (High Crown)
TS3023LC	Top Seal (Low Crown)
FS3000	CSO
FS3000FB	CSO Flat Back
FS3001	1.315"
FS3002	1.660"
FS3003	1.900"
FS3004	2 1/16"
FS3006	2 3/8"
FS3008	2 7/8"
FS3009	3 1/2"
FS3066	4"
FS3067	4 1/2"
FS3068	5"
FS3069	5 1/2"

****OTHER SIZES AVAILABLE UPON REQUEST****

7 1/16" 3M Wellsite Duke Manual BOP





7 1/16" 3M Townsend T-81 Manual BOP

PARTS LIST

ITEM	PECO PN#	DESCRIPTION
1	-	Body
2	-	1 1/8" x 5 1/4" Stud
3	-	1 1/8" Nut
4	-	1" Nut
5	-	1" x 4 1/4" Stud
6	220066P	Old Style Pillow Block Bearing
7	220067P	1/2" x 2" Pillow Block Hex Head Cap Screw
8	220069P	Bearing
9	220070P	Bearing Race Ring
10	220072P	Grease Plate Snap Ring
11	220073P	1/4" Grease Fitting
12	40338P	Slave Sprocket Snap Ring
13	9037P	Chain
14	10724P	Bonnet 3/4" x 1 1/2" Socket Head Cap Screw
15	220077P	Drive Sprocket Snap Ring
16	220082P	Lifting Plate Set
17	-	Hand Wheel
18	220087P	Hand Wheel Plug
19	-	Universal Joint
20	220182P	O-RING Packing Gland
21	DS188	Molded Door Gasket (Seal)
21	DS088	O-Ring Door Gasket (Seal)
22	222250P	Ram Shaft Wiper Ring
24	223102P	Slave Sprocket
25	9039CP	1 1/4" Hex Drive Sprocket
25	9039P	1 1/4" Square Drive Sprocket
26	-	Dust Cap
27	721513P	Left Hand Ram Shaft
28	721522P	Right Hand Ram Shaft
29	223107P	Dust Cover
30	9030P	Right Hand Stem Nut
31	9031P	Left Hand Stem Nut
32	223110P	Bonnet
33	223111P	Packing Gland
34	-	Packing Assembly
36	9038P	Drive Shaft
37	223116P	Sprocket Protector
38	223117P	Ram Guide Pin
39	223118P	Alignment Plug
40	223119P	End Cover
41	223122P	Door Plate
43	223137P	Barrier Ring
44	220211P	Alignment Plug & Bonnet O-ring
45	220181P	Ram Shaft O-ring
50	SEE TABLE	Ram Assy.
‡	TH81005M-1P	Seal Kit

‡ NOT SHOWN

RAM BLOCKS

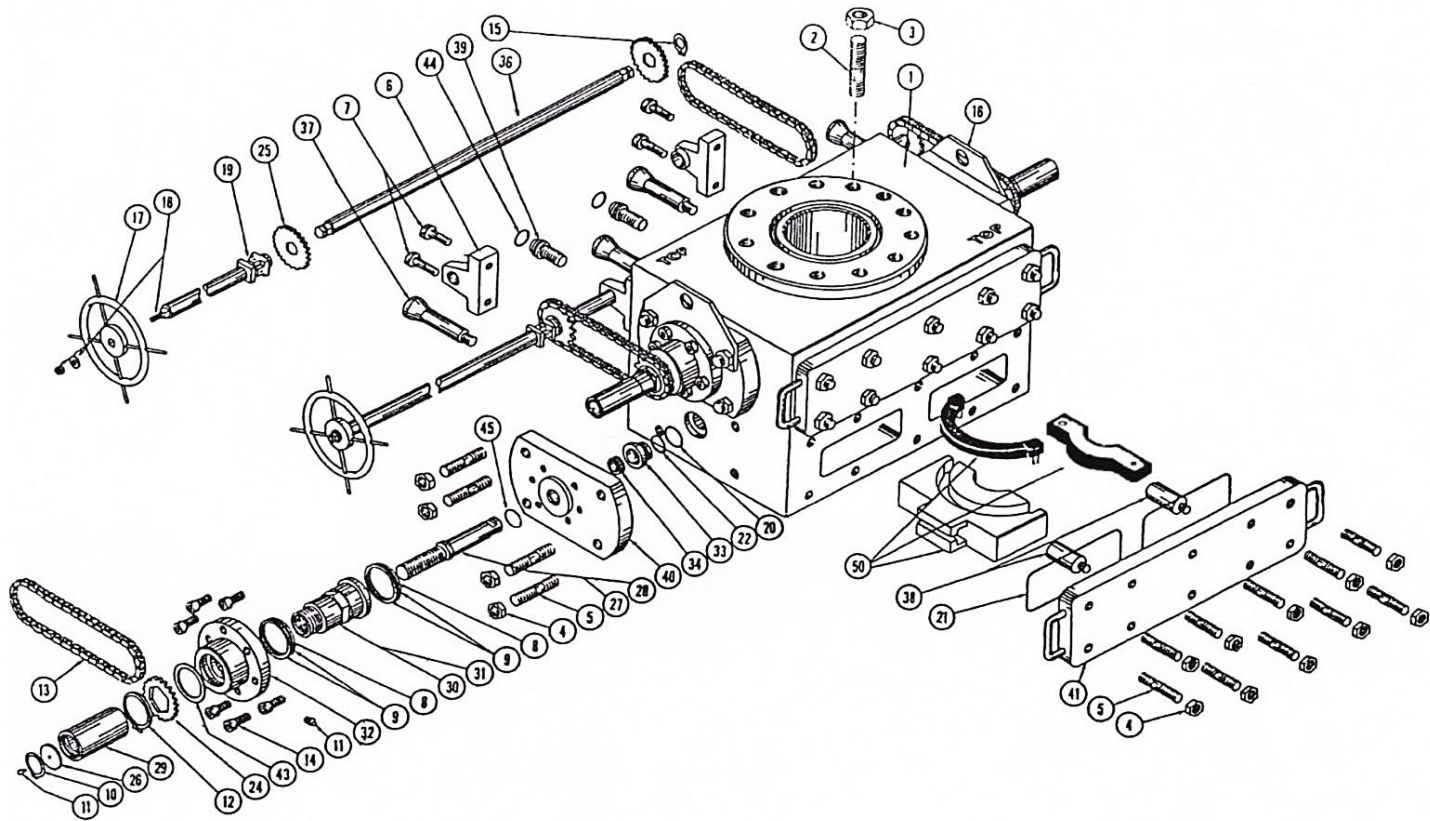
PECO PN#	SIZE
RB71000	CSO
RB71000FB	CSO Flat Back
RB71013	1.315"
RB71016	1.660"
RB71019	1.900"
RB71021	2 1/16"
RB71021OS	2 1/16" Offset
RB71023	2 3/8"
RB71023OS	2 3/8" Offset
RB71027	2 7/8"
RB71027OS	2 7/8" Offset
RB71034	3 1/2"
RB71040	4"
RB71044	4 1/2"
RB71050	5"
RB71054	5 1/2"

TOP SEAL & PACKERS

PECO PN#	SIZE
TS3023ST	Top Seal (Std.)
TS3023HC	Top Seal (High Crown)
TS3023LC	Top Seal (Low Crown)
FS3000	CSO
FS3000FB	CSO Flat Back
FS3001	1.315"
FS3002	1.660"
FS3003	1.900"
FS3004	2 1/16"
FS3006	2 3/8"
FS3008	2 7/8"
FS3009	3 1/2"
FS3066	4"
FS3067	4 1/2"
FS3068	5"
FS3069	5 1/2"

OTHER SIZES AVAILABLE UPON REQUEST

7 1/16" 3M Townsend T-81 Manual BOP





7 1/16" 3M Sentinel Manual BOP

PARTS LIST

ITEM	PECO PN#	DESCRIPTION
1	721738P	Shield & Lifting Assembly
2	-	1 1/8" Nut
3	-	1 1/8" x 5 5/8" Stud
4	11131P	Pillow Block Hex Head Cap Screw
5	721505P	Alignment Plug
6	30270P	Alignment Plug O-ring
7	721516P	Old Style Drive Shaft
8	721518P	Old Style Pillow Block Bearing
9	223103P	Drive Sprocket
10	40303P	Drive Sprocket Snap Ring
11	220075P	Chain
12	-	Universal Joint
12a	220087P	Hand Wheel Plug
12b	13510P	Hand Wheel Plug Nut
13	-	Hand Wheel
14	41462P	Shaft Packing Spiral Lock Ring/ Retainer Ring
15	223112P	Fem. Brass Shaft Packing
15a	223113P	Shaft Packing Male Brass
15b	223114P	Shaft Packing
16	-	Seal f/ End Cover
17	136635P	Bleed Plug
18	721503P	End Plate
19	65001P	Pipe Plug
20	30598P	Ram Shaft O-ring
22	721513P	Left Hand Ram Shaft
23	721522P	Right Hand Ram Shaft
24	60824P	Bearing Race Ring
25	60823P	Bearing
26	721673P	Left Hand Stem Nut
27	721674P	Right Hand Stem Nut
28	60882P	Grease Fitting
‡	721675P	Stem Nut Dust Cover
29	721671P	Barrier Ring
30	721542P	Dust Cap
31	-	1" Nut
32	-	1" x 4 1/4" Stud
33	721512P	Bonnet
34	721515P	Slave Sprocket Snap Ring
35	40338P	Slave Sprocket Snap Ring
36	10724P	Bonnet 3/4" x 1 1/2" Socket Head Cap Screw
37	DS188	Molded Door Gasket (Seal)
37	DS088	O-Ring Door Gasket (Seal)
38	10991P	Alignment Pad Socket Head Cap Screw
39	721504P	Alignment Pad
40	721544P	Door Plate

‡ NOT SHOWN

RAM BLOCKS

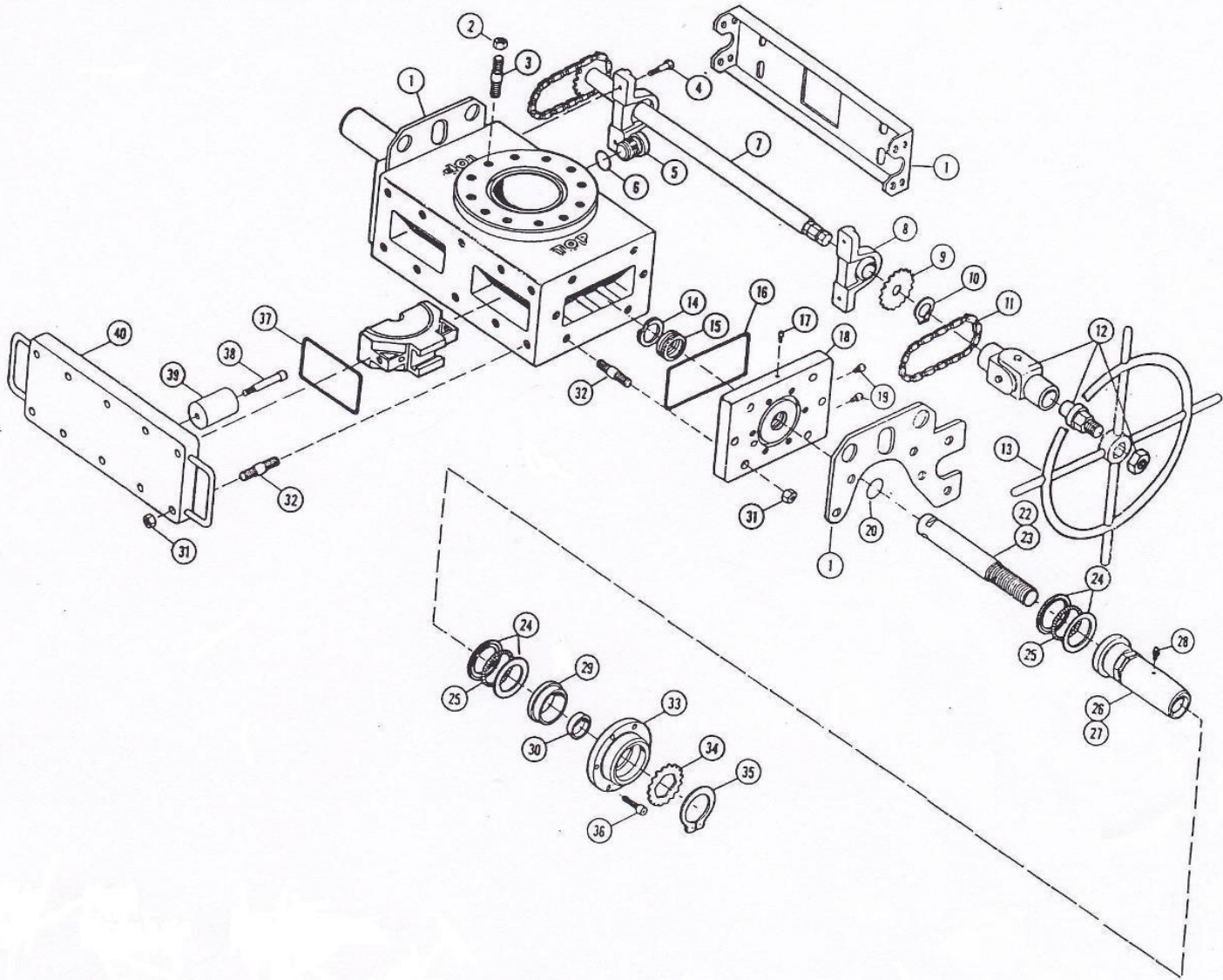
PECO PN#	SIZE
RB71000	CSO
RB71000FB	CSO Flat Back
RB71013	1.315"
RB71016	1.660"
RB71019	1.900"
RB71021	2 1/16"
RB71021OS	2 1/16" Offset
RB71023	2 3/8"
RB71023OS	2 3/8" Offset
RB71027	2 7/8"
RB71027OS	2 7/8" Offset
RB71034	3 1/2"
RB71040	4"
RB71044	4 1/2"
RB71050	5"
RB71054	5 1/2"

TOP SEAL & PACKERS

PECO PN#	SIZE
TS3023ST	Top Seal (Std.)
TS3023HC	Top Seal (High Crown)
TS3023LC	Top Seal (Low Crown)
FS3000	CSO
FS3000FB	CSO Flat Back
FS3001	1.315"
FS3002	1.660"
FS3003	1.900"
FS3004	2 1/16"
FS3006	2 3/8"
FS3008	2 7/8"
FS3009	3 1/2"
FS3066	4"
FS3067	4 1/2"
FS3068	5"
FS3069	5 1/2"

****OTHER SIZES AVAILABLE UPON REQUEST****

7 1/16" 3M Sentinel Manual BOP





7 1/16" 3M Sentinel II Manual BOP

PARTS LIST

ITEM	PECO PN#	DESCRIPTION
1	721504P	Alignment Pad
2	721544P	Door Plate
3	-	1" x 4 1/4" Stud
4	-	1" Nut
5	-	1 1/8" x 5 3/4" Stud
6	-	1 1/8" Nut
7	DS188	Molded Door Gasket (Seal)
7	DS088	O-Ring Door Gasket (Seal)
8	10991P	Alignment Pad Socket Head Cap Screw
9	721545P	Side Plate Handle
10	721856P	Eye Bolt
11	721852P	End Plate
12	721861KP	Ram Shaft Seal Assembly
13	41462P	Shaft Packing Spiral Lock Ring/ Retainer Ring
14	-	Seal f/ End Cover
15	50267P	Grease Fitting
16	60823P	Bearing
17	60824P	Bearing Race Ring
18	721512P	Bonnet
19	721513P	Left Hand Ram Shaft
20	721522P	Right Hand Ram Shaft
21	10724P	Bonnet 3/4" x 1 1/2" Socket Head Cap Screw
22	40338P	Slave Sprocket Snap Ring
23	721515P	Slave Sprocket Snap Ring
24	721542P	Dust Cap
25	30598P	Ram Shaft O-ring
26	721671P	Barrier Ring
27	721673P	Left Hand Stem Nut
28	721674P	Right Hand Stem Nut
29	721675P	Stem Nut Dust Cover
30	721540P	Drive Sprocket
31	721854P	New Style Hex Drive Shaft
32	721527P	Chain
33	40303P	Drive Sprocket Snap Ring
34	721855P	New Style Hex Bearing
35	-	Hand Wheel
36	60923P	Expansion Pin (1/4" x 2")
37	721993P	1 1/2" Square Bar Hand Wheel Extension
38	721994P	1 1/2" Square Bar Universal Joint Extension
39	721996P	1" Drive Universal Joint Extension
‡	220087P	Hand Wheel Plug
‡	721992P	Hand Wheel Extension Assembly
‡	722082P	Mechanical Operator Assembly
‡	-	Universal Joint

‡ NOT SHOWN

RAM BLOCKS

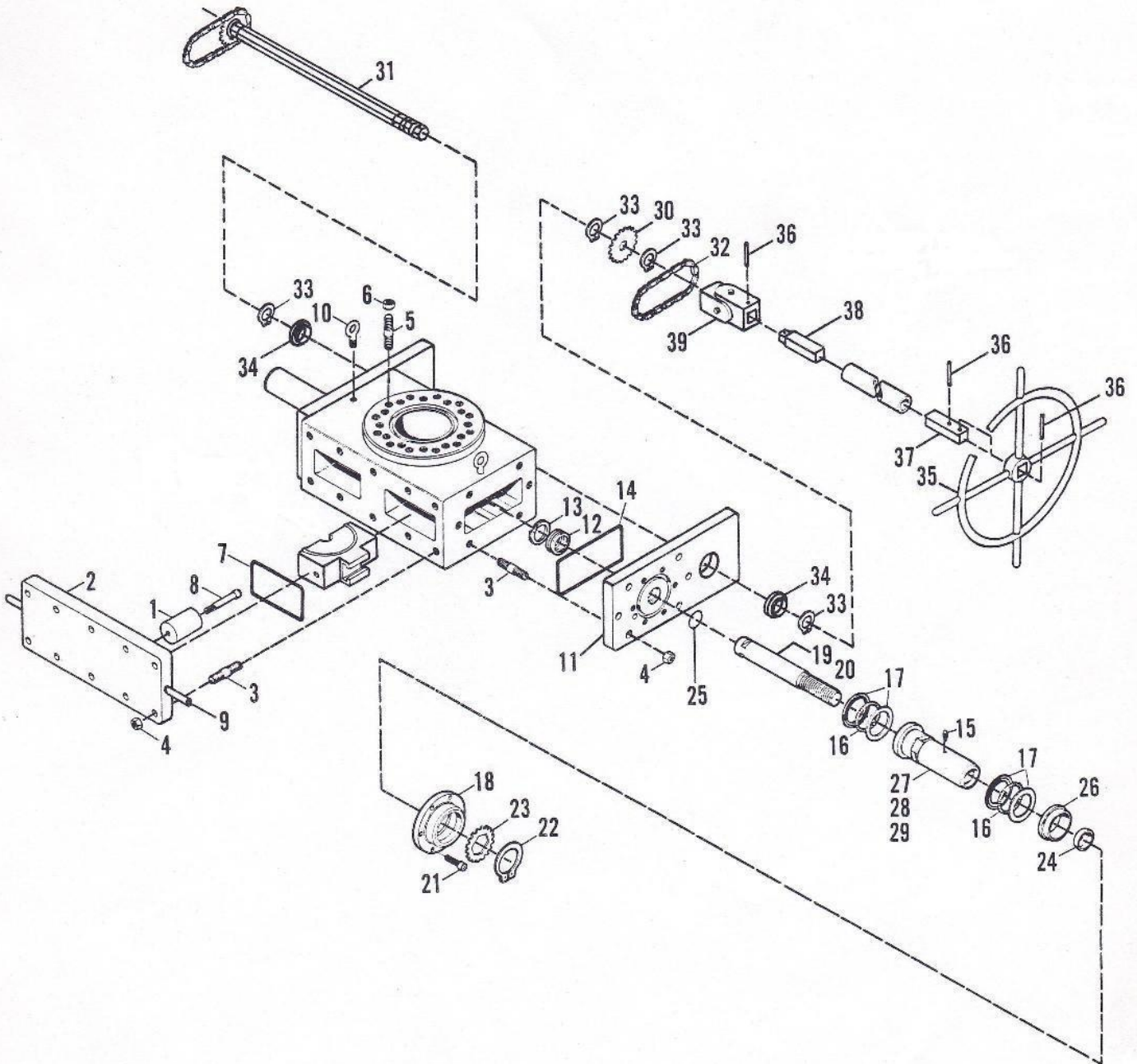
PECO PN#	SIZE
RB71000	CSO
RB71000FB	CSO Flat Back
RB71013	1.315"
RB71016	1.660"
RB71019	1.900"
RB71021	2 1/16"
RB71021OS	2 1/16" Offset
RB71023	2 3/8"
RB71023OS	2 3/8" Offset
RB71027	2 7/8"
RB71027OS	2 7/8" Offset
RB71034	3 1/2"
RB71040	4"
RB71044	4 1/2"
RB71050	5"
RB71054	5 1/2"

TOP SEAL & PACKERS

PECO PN#	SIZE
TS3023ST	Top Seal (Std.)
TS3023HC	Top Seal (High Crown)
TS3023LC	Top Seal (Low Crown)
FS3000	CSO
FS3000FB	CSO Flat Back
FS3001	1.315"
FS3002	1.660"
FS3003	1.900"
FS3004	2 1/16"
FS3006	2 3/8"
FS3008	2 7/8"
FS3009	3 1/2"
FS3066	4"
FS3067	4 1/2"
FS3068	5"
FS3069	5 1/2"

OTHER SIZES AVAILABLE UPON REQUEST

7 1/16" 3M Sentinel II Manual BOP





7 1/16" 3M Wellsite Duke Hydraulic BOP

PARTS LIST

ITEM	PECO PN#	DESCRIPTION
1	-	Body
2	-	1 1/8" x 5 5/8" Stud
3	-	1 1/8" Nut
4	-	1" Nut
5	-	1" x 4 1/4" Stud
6	220211P	Alignment Plug & Bonnet O-ring
7	220078P	1/4" NPT Pipe Plug
8	220079P	1/4" NPT Weep Plug
9	-	Bolt f/ Cylinder
10	220081P	Manifold Socket Head Cap Screw
11	220082P	Lifting Plate Set
12	20004P	Cylinder Stud Nut
13	-	Hand Wheel
14	-	Universal Joint
15	220095P	Stainless Steel 1/4" x 1/4" Socket Head Set Screw
16	-	Bolt f/ Protector M.O.R.
17	220181P	Ram Shaft O-ring
18	220182P	O-RING Packing Gland
19	220183P	Manifold Block O-ring
20	220184P	Cylinder O-ring
21	220185-1P	Door Manifold O-ring
22	220186P	Piston O-ring
23	220187P	Manifold Tube O-ring
24	DS188	Molded Door Gasket (Seal)
24	DS088	O-Ring Door Gasket (Seal)
25	222250P	Ram Shaft Wiper Ring
26	220254P	Piston Seal / Crown Seal
27	223111P	Packing Gland
28	223112P	Fem. Brass Shaft Packing
28a	223113P	Shaft Packing Male Brass
28b	223114P	Shaft Packing
29	223117P	Ram Guide Pin
30	223118P	Alignment Plug
31	223119P	End Cover
32	223122P	Door Plate
33	223123P	Piston
34	223124P	Cylinder
35	223125P	Balance Stem
36	223126P	MOR Protector
37	223127P	Locking Shaft
38	223128P	Ram Shaft
39	722007P	Manifold Tube
40	223130P	Manifold Block
41	223131P	Bonnet
42	223132P	Manifold Protector
44	223136P	Brass Spacer Ring
50	SEE TABLE	Ram Assy.
‡	220087P	Hand Wheel Plug
‡	220000-1P	Seal Kit

‡ NOT SHOWN

RAM BLOCKS

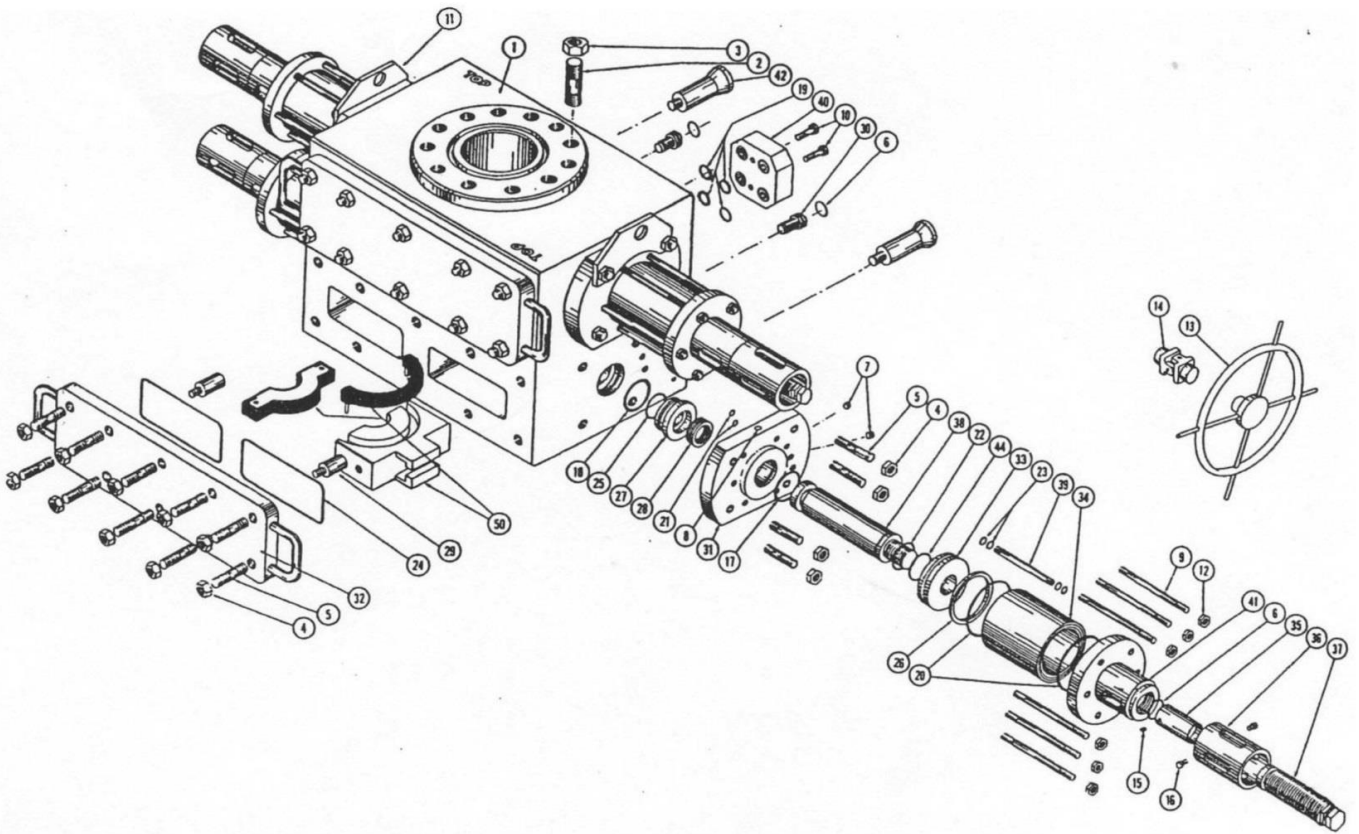
PECO PN#	SIZE
RB71000	CSO
RB71000FB	CSO Flat Back
RB71013	1.315"
RB71016	1.660"
RB71019	1.900"
RB71021	2 1/16"
RB71021OS	2 1/16" Offset
RB71023	2 3/8"
RB71023OS	2 3/8" Offset
RB71027	2 7/8"
RB71027OS	2 7/8" Offset
RB71034	3 1/2"
RB71040	4"
RB71044	4 1/2"
RB71050	5"
RB71054	5 1/2"

TOP SEAL & PACKERS

PECO PN#	SIZE
TS3023ST	Top Seal (Std.)
TS3023HC	Top Seal (High Crown)
TS3023LC	Top Seal (Low Crown)
FS3000	CSO
FS3000FB	CSO Flat Back
FS3001	1.315"
FS3002	1.660"
FS3003	1.900"
FS3004	2 1/16"
FS3006	2 3/8"
FS3008	2 7/8"
FS3009	3 1/2"
FS3066	4"
FS3067	4 1/2"
FS3068	5"
FS3069	5 1/2"

OTHER SIZES AVAILABLE UPON REQUEST

7 1/16" 3M Wellsite Duke Hydraulic BOP





7 1/16" 3M Townsend T-81 Hydraulic BOP

PARTS LIST

ITEM	PECO PN#	DESCRIPTION
1	-	Body
2	-	1 1/8" x 5 1/4" Stud
3	-	1 1/8" Nut
4	-	1" Nut
5	-	1" x 4 1/4" Stud
6	220211P	Alignment Plug & Bonnet O-ring
7	220078P	1/4" NPT Pipe Plug
8	220079P	1/4" NPT Weep Plug
9	-	Bolt f/ Cylinder
12	20004P	Cylinder Stud Nut
13	-	Hand Wheel
14	-	Universal Joint
15	220095P	SS 1/4" x 1/4" Socket Head Set Screw
16	-	Bolt f/ Protector M.O.R.
17	220181P	Ram Shaft O-ring
18	220182P	O-RING Packing Gland
20	220184P	Cylinder O-ring
21	220185-1P	Door Manifold O-ring
22	220186P	Piston O-ring
23	220187P	Manifold Tube O-ring
24	DS188	Molded Door Gasket (Seal)
24	DS088	O-Ring Door Gasket (Seal)
25	222250P	Ram Shaft Wiper Ring
26	220254P	Piston Seal / Crown Seal
27	223111P	Packing Gland
28	8125P	Packing Assembly
29	223117P	Ram Guide Pin
30	223118P	Alignment Plug
31	223119P	End Cover
32	223122P	Door Plate
33	223123P	Piston
34	223124P	Cylinder
35	223125P	Balance Stem
36	223126P	MOR Protector
37	223127P	Locking Shaft
38	223128P	Ram Shaft
39	-	Manifold Tube
41	223131P	Bonnet
42	223132P	Manifold Protector
44	223136P	Brass Spacer Ring
50	SEE TABLE	RAM ASSY.
‡	220087P	Hand Wheel Plug
‡	TH81005-1P	Seal Kit

‡ NOT SHOWN

RAM BLOCKS

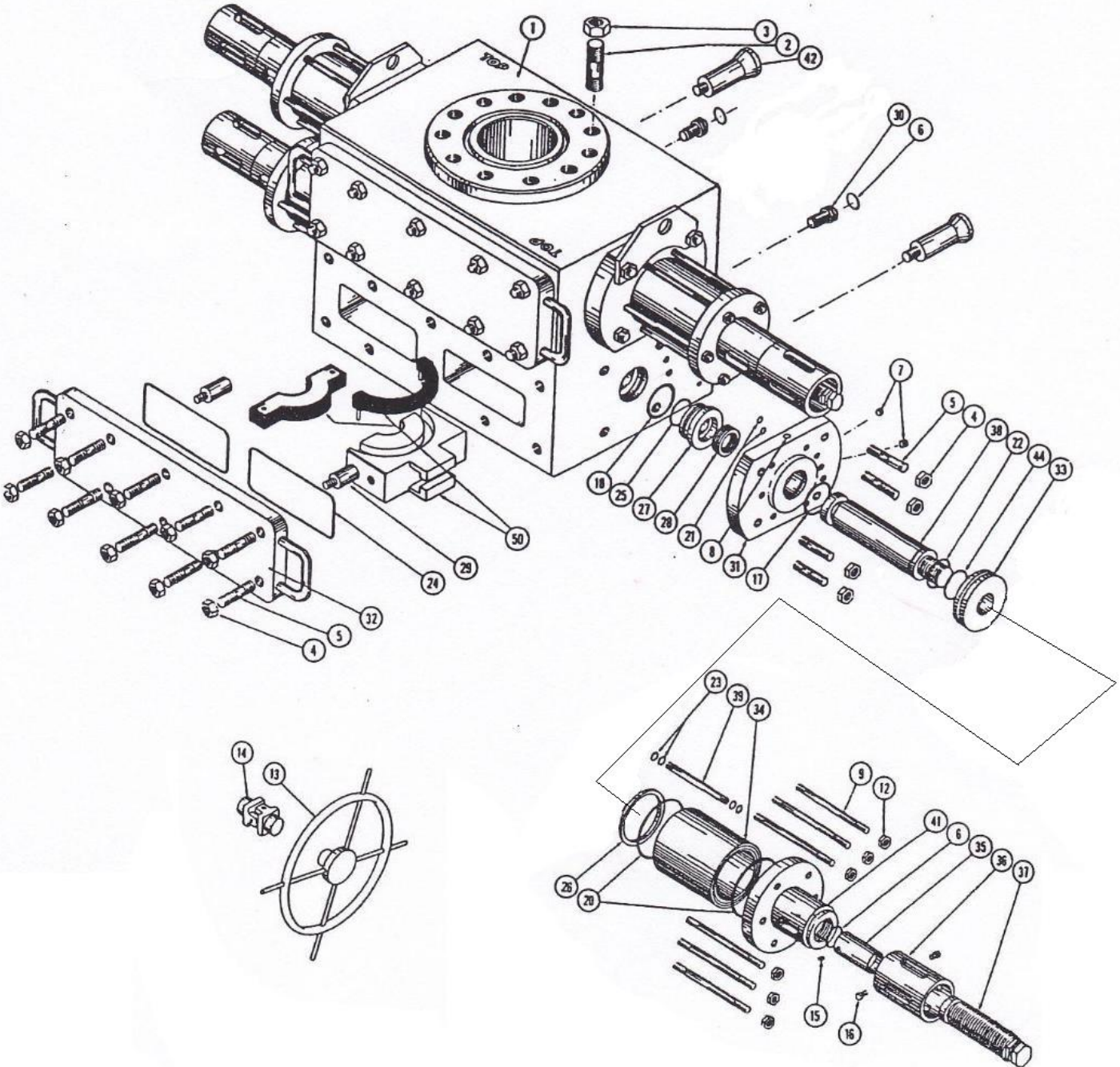
PECO PN#	SIZE
RB71000	CSO
RB71000FB	CSO Flat Back
RB71013	1.315"
RB71016	1.660"
RB71019	1.900"
RB71021	2 1/16"
RB71021OS	2 1/16" Offset
RB71023	2 3/8"
RB71023OS	2 3/8" Offset
RB71027	2 7/8"
RB71027OS	2 7/8" Offset
RB71034	3 1/2"
RB71040	4"
RB71044	4 1/2"
RB71050	5"
RB71054	5 1/2"

TOP SEAL & PACKERS

PECO PN#	SIZE
TS3023ST	Top Seal (Std.)
TS3023HC	Top Seal (High Crown)
TS3023LC	Top Seal (Low Crown)
FS3000	CSO
FS3000FB	CSO Flat Back
FS3001	1.315"
FS3002	1.660"
FS3003	1.900"
FS3004	2 1/16"
FS3006	2 3/8"
FS3008	2 7/8"
FS3009	3 1/2"
FS3066	4"
FS3067	4 1/2"
FS3068	5"
FS3069	5 1/2"

OTHER SIZES AVAILABLE UPON REQUEST

7 1/16" 3M Townsend T-81 Hydraulic BOP





7 1/16" 5M Townsend T-81 Hydraulic BOP

PARTS LIST

ITEM	PECO PN#	DESCRIPTION
1	-	Body
2	-	1 3/8" x 7 1/4" Stud
3	-	1 3/8" Nut
4	-	1" Nut
5	-	1" x 4 1/4" Stud
6	220211P	Alignment Plug & Bonnet O-ring
7	220078P	1/4" NPT Pipe Plug
9	-	Bolt f/ Cylinder
13	-	Hand Wheel
14	-	Universal Joint
15	220095P	Stainless Steel 1/4" x 1/4" Socket Head Set Screw
16	-	Bolt f/ Protector M.O.R.
17	220181P	Ram Shaft O-ring
18	220182P	O-RING Packing Gland
20	220184P	Cylinder O-ring
21	220185-1P	Door Manifold O-ring
22	220186P	Piston O-ring
23	220187P	Manifold Tube O-ring
24	-	Door Gasket
25	222250P	Ram Shaft Wiper Ring
26	220254P	Piston Seal / Crown Seal
27	223111P	Packing Gland
28	8125P	Packing Assembly
29	223117P	Ram Guide Pin
30	223118P	Alignment Plug
31	223119P	End Cover
32	8129-5P	Door Plate
33	223123P	Piston
34	223124P	Cylinder
35	223125P	Balance Stem
36	223126P	MOR Protector
37	223127P	Locking Shaft
38	223128P	Ram Shaft
39	-	Manifold Tube
41	223131P	Bonnet
42	-	1 1/8" Nut
43	-	1 1/8" x 4 3/4" Stud
44	223136P	Brass Spacer Ring
45	8145P	Pipe Plug
50	SEE TABLE	Ram Assy.
‡	220087P	Hand Wheel Plug
‡	TH81005-1P	Seal Kit

‡ NOT SHOWN

RAM BLOCKS

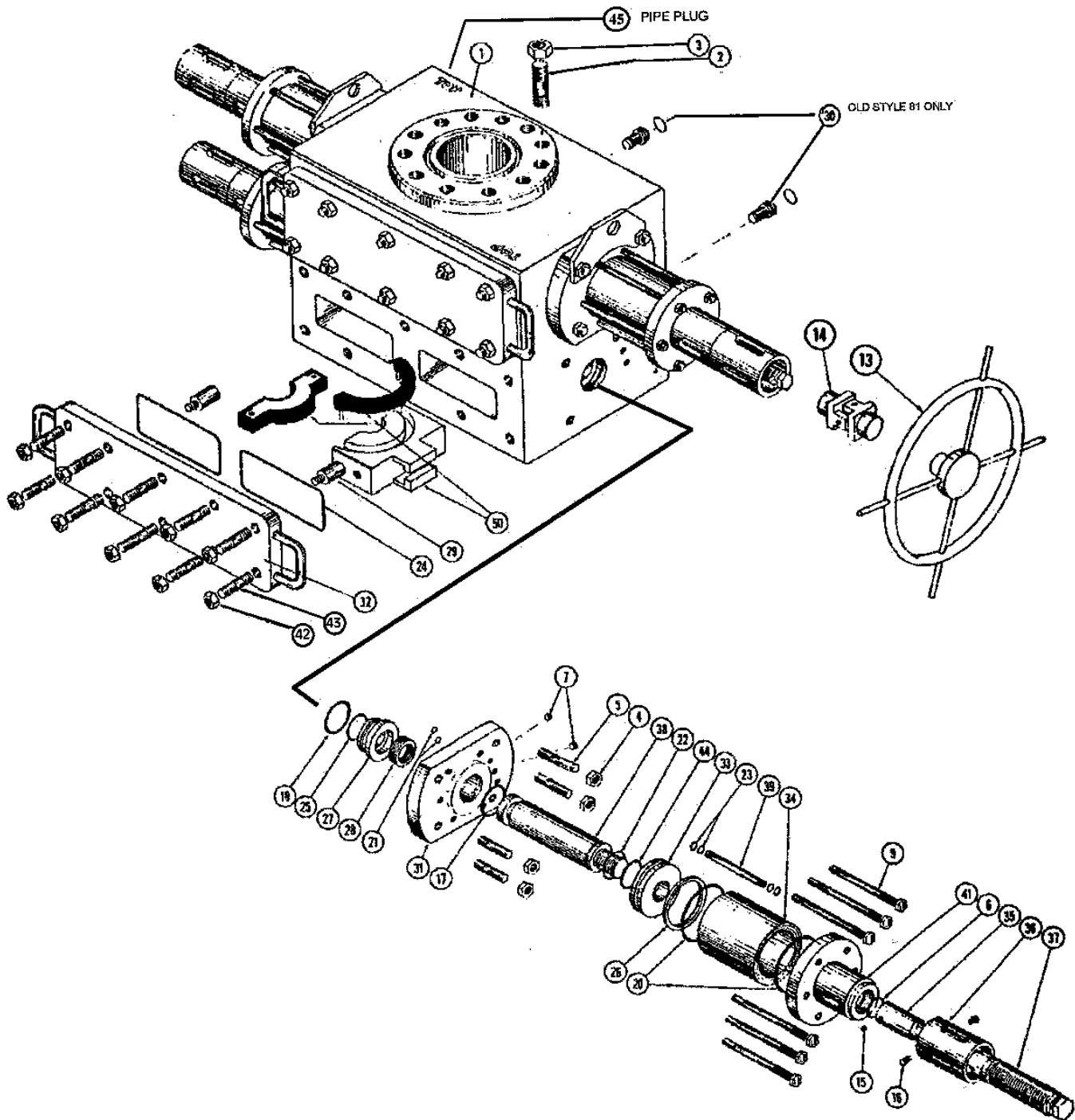
PECO PN#	SIZE
RB71000	CSO
RB71000FB	CSO Flat Back
RB71013	1.315"
RB71016	1.660"
RB71019	1.900"
RB71021	2 1/16"
RB71021OS	2 1/16" Offset
RB71023	2 3/8"
RB71023OS	2 3/8" Offset
RB71027	2 7/8"
RB71027OS	2 7/8" Offset
RB71034	3 1/2"
RB71040	4"
RB71044	4 1/2"
RB71050	5"
RB71054	5 1/2"

TOP SEAL & PACKERS

PECO PN#	SIZE
TS3023ST	Top Seal (Std.)
TS3023HC	Top Seal (High Crown)
TS3023LC	Top Seal (Low Crown)
FS3000	CSO
FS3000FB	CSO Flat Back
FS3001	1.315"
FS3002	1.660"
FS3003	1.900"
FS3004	2 1/16"
FS3006	2 3/8"
FS3008	2 7/8"
FS3009	3 1/2"
FS3066	4"
FS3067	4 1/2"
FS3068	5"
FS3069	5 1/2"

OTHER SIZES AVAILABLE UPON REQUEST

7 1/16" 5M Townsend T-81 Hydraulic BOP





9" 3M/5M Townsend T-81 Hydraulic BOP

PARTS LIST

ITEM	PECO PN#	DESCRIPTION
1	-	Body
2	-	1 3/8" x 6 3/8" Stud (3M)
2	-	1 5/8" x 8 1/4" Stud (5M)
3	-	1 3/8" Nut (3M)
3	-	1 5/8" Nut (5M)
4, 42	-	1" Nut (3M / 5M)
5	-	1" x 5" Stud (3M / 5M)
6	220211P	Alignment Plug & Bonnet O-ring
7	220078P	1/4" NPT Pipe Plug
9	-	Bolt f/ Cylinder
13	-	Hand Wheel
14	-	Universal Joint
15	220095P	Stainless Steel 1/4" x 1/4" Socket Head Set Screw
16	-	Bolt f/ Protector M.O.R.
17	-	Seal f/ End Cover
18	-	O-Ring f/ Packing Gland
20	220184P	Cylinder O-ring
21	220185-1P	Door Manifold O-ring
22	220186P	Piston O-ring
23	220187P	Manifold Tube O-ring
24	DS981	Door Gasket
25	222250P	Ram Shaft Wiper Ring
26	220254P	Piston Seal / Crown Seal
27	-	Packing Gland
28	8125P	Packing Assembly
29	223117P	Ram Guide Pin
30	-	Alignment Plug
31	-	End Cover
32	-	Door Plate
33	223123P	Piston
34	-	Cylinder
35	-	Balance Stem
36	-	Protector M.O.R
37	-	Locking Shaft
38	-	Ram Shaft
39	-	Manifold Tube
41	-	Bonnet
42	-	1 1/8" Nut (5M)
43	-	1" x 4 1/4" Stud (3M)
43	-	1 1/8" x 4 3/4" Stud (5M)
44	223136P	Brass Spacer Ring
45	8145P	Pipe Plug
50	-	Ram Assy.
‡	220087P	Hand Wheel Plug
‡	-	Seal Kit

‡ NOT SHOWN

RAM BLOCKS

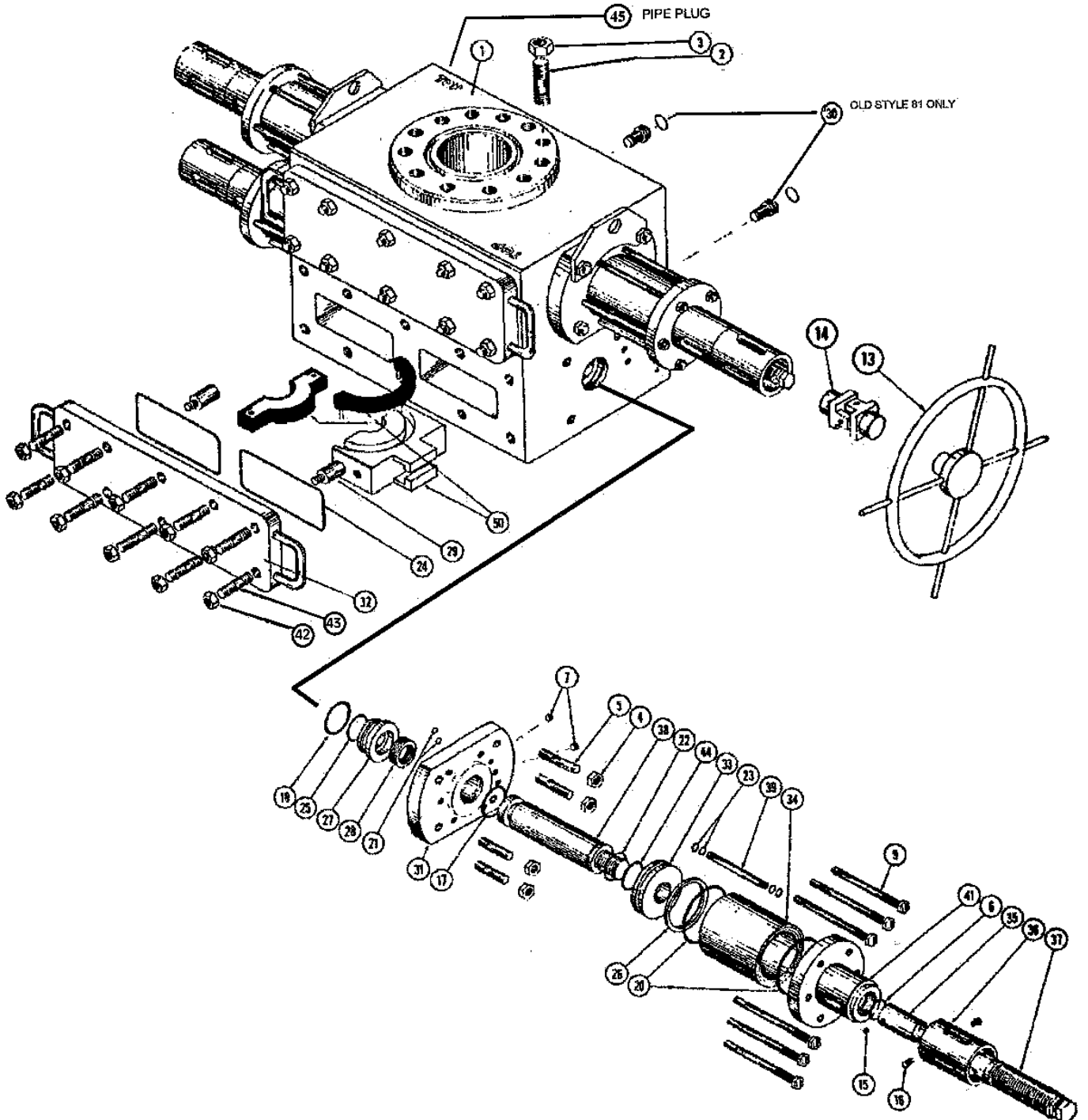
SIZE
CSO
1.315"
1.660"
1.900"
2 1/16"
2 3/8"
2 7/8"
3 1/2"
4"
4 1/2"
5"
5 1/2"

TOP SEAL & PACKERS

PECO PN#	SIZE
TS3227	Top Seal
FS3200	CSO
FS4200FB	CSO Flat Back
--	1.315"
--	1.660"
--	1.900"
--	2 1/16"
FS3206	2 3/8"
FS3208	2 7/8"
FS3209	3 1/2"
--	4"
FS3211	4 1/2"
--	5"
FS3213	5 1/2"

OTHER SIZES AVAILABLE UPON REQUEST

9" 3M/5M Townsend T-81 Hydraulic BOP





7 1/16" 3M Sentinel Hydraulic BOP

PARTS LIST

ITEM	PECO PN#	DESCRIPTION
1	721738P	Shield & Lifting Assembly
2	-	1 1/8" Nut
3	-	1 1/8" x 5 5/8" Stud
4	DS188	Molded Door Gasket (Seal)
4	DS088	O-Ring Door Gasket (Seal)
5	10991P	Alignment Pad Socket Head Cap Screw
6	721504P	Alignment Pad
7	721544P	Door Plate
8	-	1" x 4 1/4" Stud
9	-	1" Nut
10	41462P	Shaft Packing Spiral Lock Ring/ Retainer Ring
11	223112P	Fem. Brass Shaft Packing
11a	223113P	Shaft Packing Male Brass
11b	223114P	Shaft Packing
12	-	Seal f/ End Cover
13	136635P	Bleed Plug
14	721503P	End Plate
15	-	Bolt f/ Cylinder
16	20004P	Cylinder Stud Nut
17	30598P	Ram Shaft O-ring
18	30329P	Cylinder O-ring
19	223124P	Cylinder
20	721508P	Ram Shaft
21	30267P	Piston O-ring
22	721526P	Piston Seal
23	721507P	Piston
24	721541P	Piston Nut
25	30653P	Manifold Tube O-ring
26	722007P	Manifold Tube
27	721511P	Locking Shaft
28	30596P	Bonnet O-ring
29	721523P	Bonnet
30	60882P	Grease Fitting
31	-	Universal Joint
31a	220087P	Hand Wheel Plug
31b	13510P	Hand Wheel Plug Nut
32	-	Hand Wheel
33	30270P	Alignment Plug O-ring
34	721505P	Alignment Plug
35	722004P	Manifold Block
‡	721505-1P	Seal Kit

‡ NOT SHOWN

RAM BLOCKS

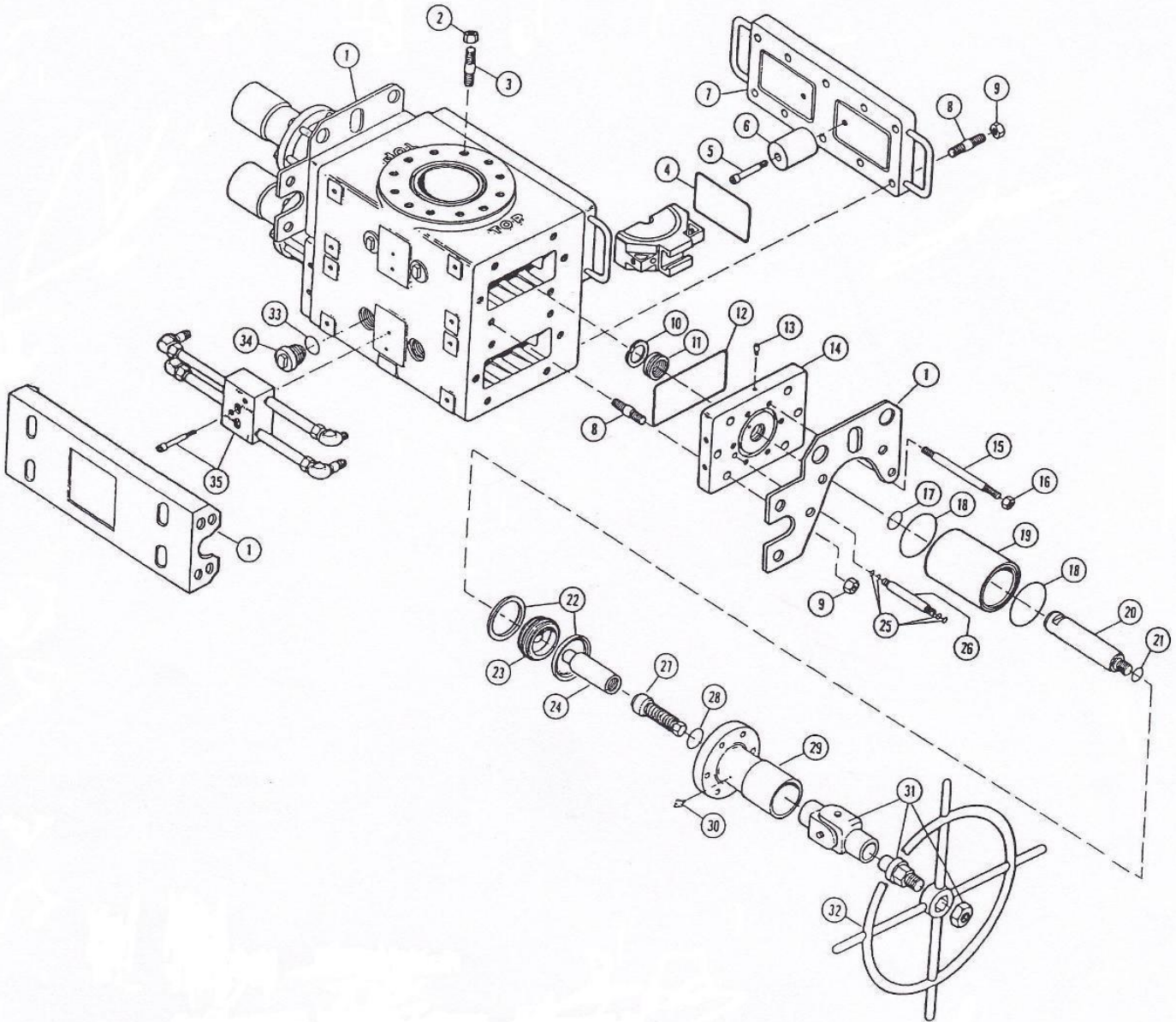
PECO PN#	SIZE
RB71000	CSO
RB71000FB	CSO Flat Back
RB71013	1.315"
RB71016	1.660"
RB71019	1.900"
RB71021	2 1/16"
RB71021OS	2 1/16" Offset
RB71023	2 3/8"
RB71023OS	2 3/8" Offset
RB71027	2 7/8"
RB71027OS	2 7/8" Offset
RB71034	3 1/2"
RB71040	4"
RB71044	4 1/2"
RB71050	5"
RB71054	5 1/2"

TOP SEAL & PACKERS

PECO PN#	SIZE
TS3023ST	Top Seal (Std.)
TS3023HC	Top Seal (High Crown)
TS3023LC	Top Seal (Low Crown)
FS3000	CSO
FS3000FB	CSO Flat Back
FS3001	1.315"
FS3002	1.660"
FS3003	1.900"
FS3004	2 1/16"
FS3006	2 3/8"
FS3008	2 7/8"
FS3009	3 1/2"
FS3066	4"
FS3067	4 1/2"
FS3068	5"
FS3069	5 1/2"

OTHER SIZES AVAILABLE UPON REQUEST

7 1/16" 3M Sentinel Hydraulic BOP





7 1/16" 3M Sentinel II Hydraulic BOP

PARTS LIST

ITEM	PECO PN#	DESCRIPTION
1	721504P	Alignment Pad
2	721544P	Door Plate
3	-	1" x 4 1/4" Stud
4	-	1" Nut
5	-	1 1/8" x 5 3/4" Stud
6	-	1 1/8" Nut
7	DS188	Molded Door Gasket (Seal)
7	DS088	O-Ring Door Gasket (Seal)
8	10991P	Alignment Pad Socket Head Cap Screw
9	721545P	Side Plate Handle
10	721856P	Eye Bolt
11	721848P	Right End Plate
12	721849P	Left End Plate
13	721861KP	Ram Shaft Seal Assembly
14	41462P	Shaft Packing Spiral Lock Ring/ Retainer Ring
15	-	Seal f/ End Cover
16	30598P	Ram Shaft O-ring
17	30329P	Cylinder O-ring
18	721507P	Piston
19	721526P	Piston Seal
20	223124P	Cylinder
21	721508P	Ram Shaft
22	-	Bolt f/ Cylinder
23	50267P	Grease Fitting
24	30596P	Bonnet O-ring
25	721511P	Locking Shaft
26	721851P	Bonnet
27	20004P	Cylinder Stud Nut
28	30267P	Piston O-ring
29	721541P	Piston Nut
30	722007P	Manifold Tube
31	30653P	Manifold Tube O-ring
32	30583P	Door Manifold O-ring
33	65004P	Pipe Plug
34	-	Hand Wheel
35	60923P	Expansion Pin (1/4" x 2")
36	721991P	1 1/2" Square Bar Hand Wheel Extension
37	721995P	1 1/4" Hex Complete Impact Socket
‡	136635P	Bleed Plug
‡	220087P	Hand Wheel Plug
‡	65001P	Pipe Plug
‡	-	Universal Joint
‡	721000-1KP	Seal Kit

‡ NOT SHOWN

RAM BLOCKS

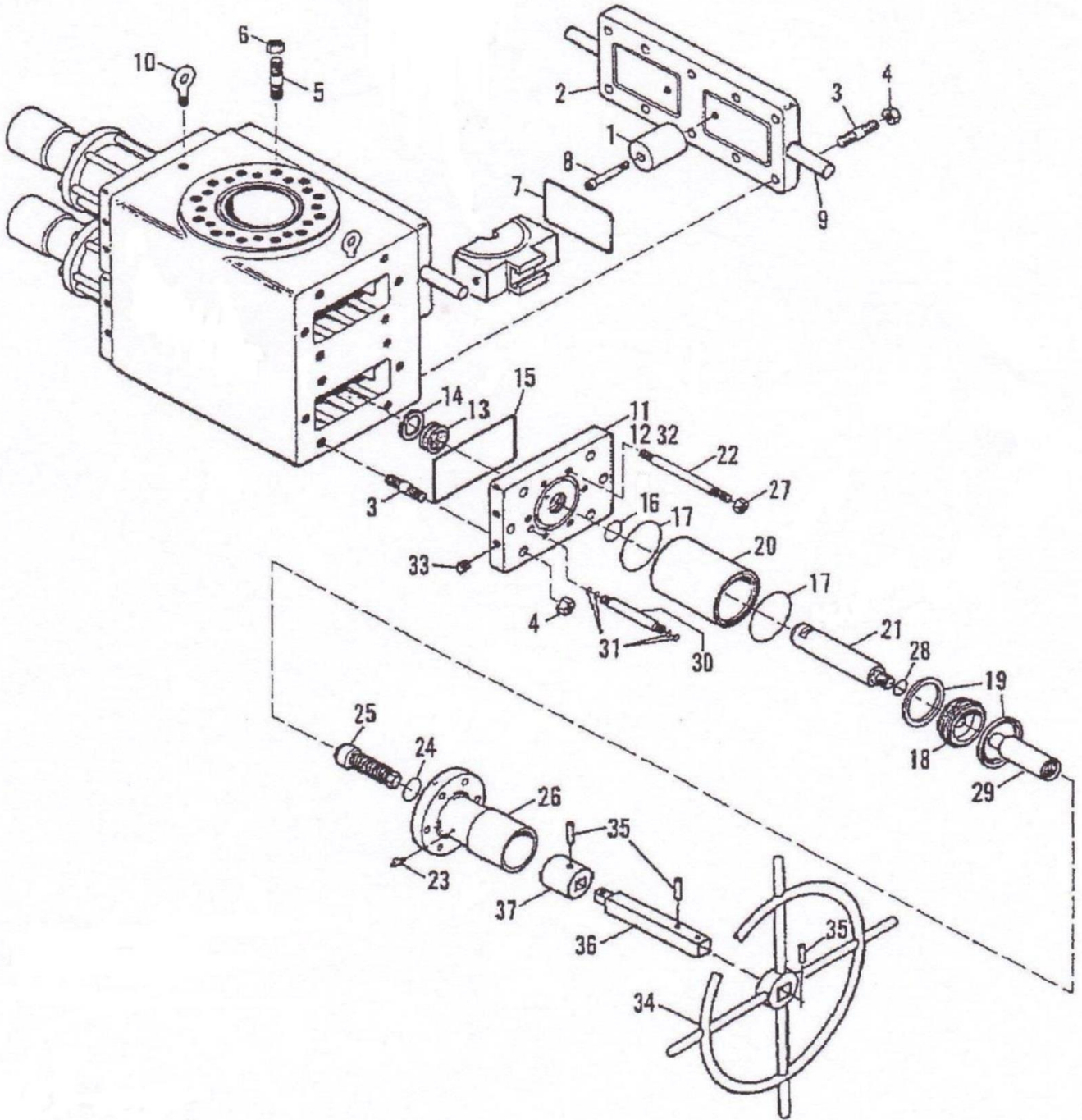
PECO PN#	SIZE
RB71000	CSO
RB71000FB	CSO Flat Back
RB71013	1.315"
RB71016	1.660"
RB71019	1.900"
RB71021	2 1/16"
RB71021OS	2 1/16" Offset
RB71023	2 3/8"
RB71023OS	2 3/8" Offset
RB71027	2 7/8"
RB71027OS	2 7/8" Offset
RB71034	3 1/2"
RB71040	4"
RB71044	4 1/2"
RB71050	5"
RB71054	5 1/2"

TOP SEAL & PACKERS

PECO PN#	SIZE
TS3023ST	Top Seal (Std.)
TS3023HC	Top Seal (High Crown)
TS3023LC	Top Seal (Low Crown)
FS3000	CSO
FS3000FB	CSO Flat Back
FS3001	1.315"
FS3002	1.660"
FS3003	1.900"
FS3004	2 1/16"
FS3006	2 3/8"
FS3008	2 7/8"
FS3009	3 1/2"
FS3066	4"
FS3067	4 1/2"
FS3068	5"
FS3069	5 1/2"

****OTHER SIZES AVAILABLE UPON REQUEST****

7 1/16" 3M Sentinel II Hydraulic BOP





7 1/16" 5M Sentinel II Hydraulic BOP

PARTS LIST

ITEM	PECO PN#	DESCRIPTION
1	-	Body
2	-	1 3/8" x 7" Stud
3	-	1 5/8" x 5 3/4" Stud
4	-	7/8" x 4 1/4" Stud
5	-	1/2" Pipe Plug
6	-	3/4" Pipe Plug
7	-	1 3/8" Nut
8	-	7/8" Nut
9	-	Nut for Side Plate
10	-	1" x 10 3/4" Stud
11	-	1" Nut
12	-	Door Plate
13	-	Ram Guide Pin
14	-	Ram Shaft Packing
15	-	Packing Adapter
16	-	Door Gasket
17	-	Plastic Injection Fitting
18, 19	-	End Cover
20	220078P	1/4" NPT Pipe Plug
21	-	Cylinder
22	-	O-Ring f/ Cylinder
23	-	Piston
24	-	Piston Seal
25	-	Set Screw f/ Piston
26	-	Ram Shaft
27	-	O-Ring f/ Ram Shaft
28	-	Bonnet
29	-	Balance Stem
30	-	Locking Shaft
31	-	Manifold Tube
32	30653P	Manifold Tube O-ring
33	-	Seal f/ End Cover
34	-	O-Ring f/ Gland Plate
35	-	Lifting Plate
36	-	Cap Screw f/ Lifting Plate
39	-	Ram Puller Assy.
40	-	Cap Screw
41	-	Ram Assy.
‡	220087P	Hand Wheel Plug
‡	-	Hand Wheel
‡	-	Universal Joint
‡	722001-1P	Seal Kit

‡ NOT SHOWN

RAM BLOCKS

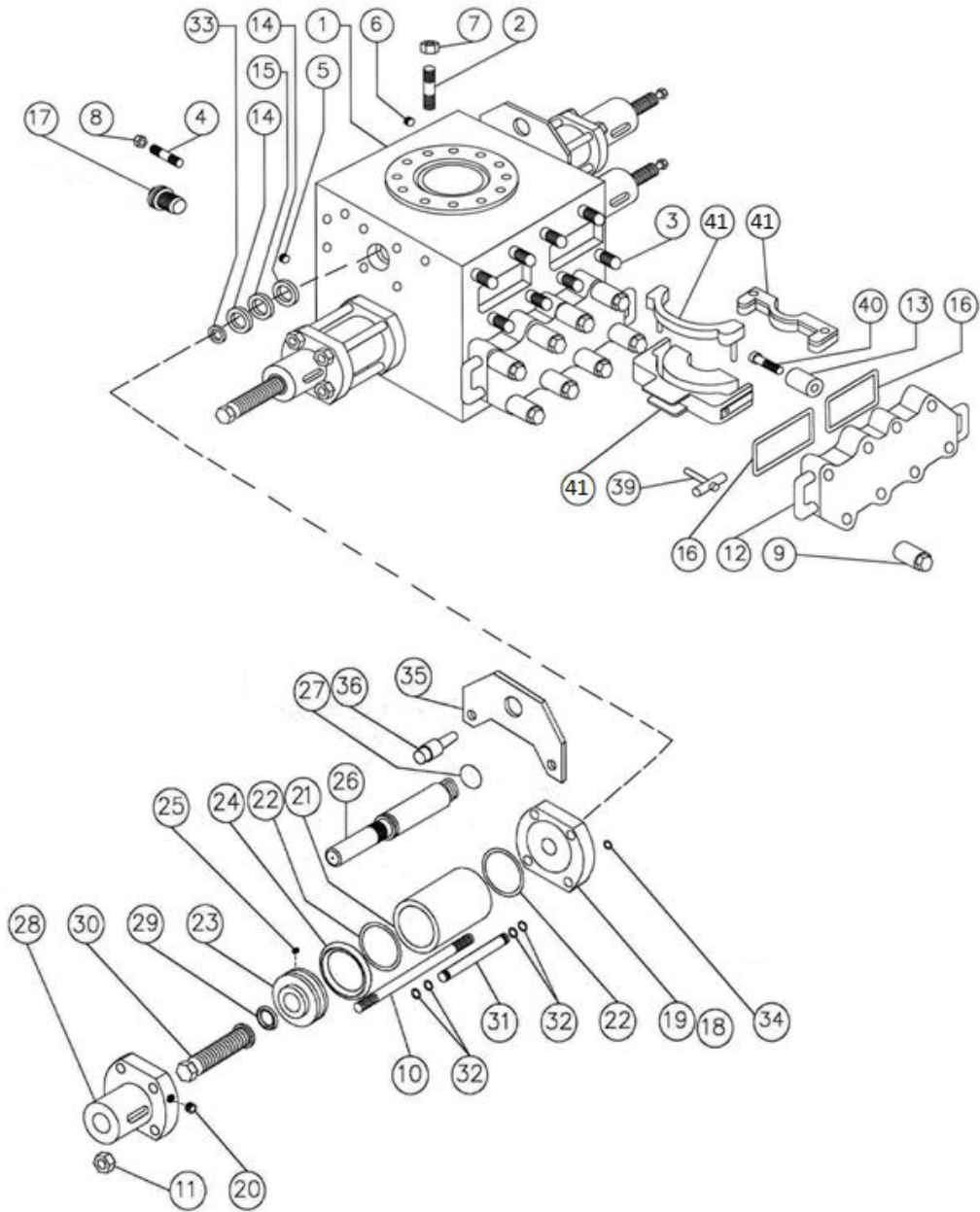
PECO PN#	DESCRIPTION
RB72000	CSO
RB72013	1.315" (1" PIPE)
RB72016	1.66" (1 1/4" PIPE)
-	1.66" OFFSET (1 1/4" PIPE)
RB72019	1.90" (1 1/2" PIPE)
-	1.90" OFFSET (1 1/2" PIPE)
RB72021	2 1/16"
-	2 1/16" OFFSET
RB72023	2 3/8"
-	2 3/8" OFFSET
RB72027	2 7/8"
RB72034	3 1/2"
RB72040	4"
RB72044	4 1/2"
RB72050	5"
RB72054	5 1/2"

TOP SEAL & PACKERS

PECO PN#	DESCRIPTION
TS4150	TOP SEAL
FS3183	CSO
FS3184	1.315" (1" PIPE)
FS3185	1.66" (1 1/4" PIPE)
-	1.66" OFFSET (1 1/4" PIPE)
FS3186	1.90" (1 1/2" PIPE)
-	1.90" OFFSET (1 1/2" PIPE)
FS3187	2 1/16"
-	2 1/16" OFFSET
FS3188	2 3/8"
-	2 3/8" OFFSET
FS3189	2 7/8"
FS3190	3 1/2"
FS3191	4"
FS3192	4 1/2"
FS3193	5"
FS3194	5 1/2"

****OTHER SIZES AVAILABLE UPON REQUEST****

7 1/16" 5M Sentinel II Hydraulic BOP





9" 3M Sentinel II Hydraulic BOP

PARTS LIST

ITEM	PECO PN#	DESCRIPTION
1	-	Ram Guide Pin
2	-	Door Plate
3	-	1" x 4 1/4" Stud
4	-	1" Nut
5	-	1 3/8" x 6 1/2" Stud
6	-	1 3/8" Nut
7	-	Door Gasket
8	10991P	Alignment Pad Socket Head Cap Screw
9	721545P	Side Plate Handle
10	721856P	Eye Bolt
11 , 12	-	End Cover
13	721861KP	Ram Shaft Seal Assembly
14	41462P	Shaft Packing Spiral Lock Ring/ Retainer Ring
15	-	Seal f/ End Cover
16	30598P	Ram Shaft O-ring
17	30329P	Cylinder O-ring
18	721507P	Piston
19	721526P	Piston Seal
20	-	Cylinder
21	-	Ram Shaft
22	-	Bolt f/ Cylinder
23	50267P	Grease Fitting
24	30596P	Bonnet O-ring
25	-	Locking Shaft
26	-	Bonnet
27	20004P	Cylinder Stud Nut
28	30267P	Piston O-ring
29	-	Piston Nut
30	-	Manifold Tube
31	30653P	Manifold Tube O-ring
32	30583P	Door Manifold O-ring
33	65004P	Pipe Plug
34	-	Hand Wheel
35	60923P	Expansion Pin (1/4" x 2")
36	721991P	1 1/2" Square Bar Hand Wheel Extension
37	721995P	1 1/4" Hex Complete Impact Socket
‡	136635P	Bleed Plug
‡	220087P	Hand Wheel Plug
‡	-	Universal Joint
‡	65001P	Pipe Plug
‡	721000-1KP	Seal Kit

RAM BLOCKS

SIZE
CSO
1.315"
1.660"
1.900"
2 1/16"
2 3/8"
2 7/8"
3 1/2"
4"
4 1/2"
5"
5 1/2"

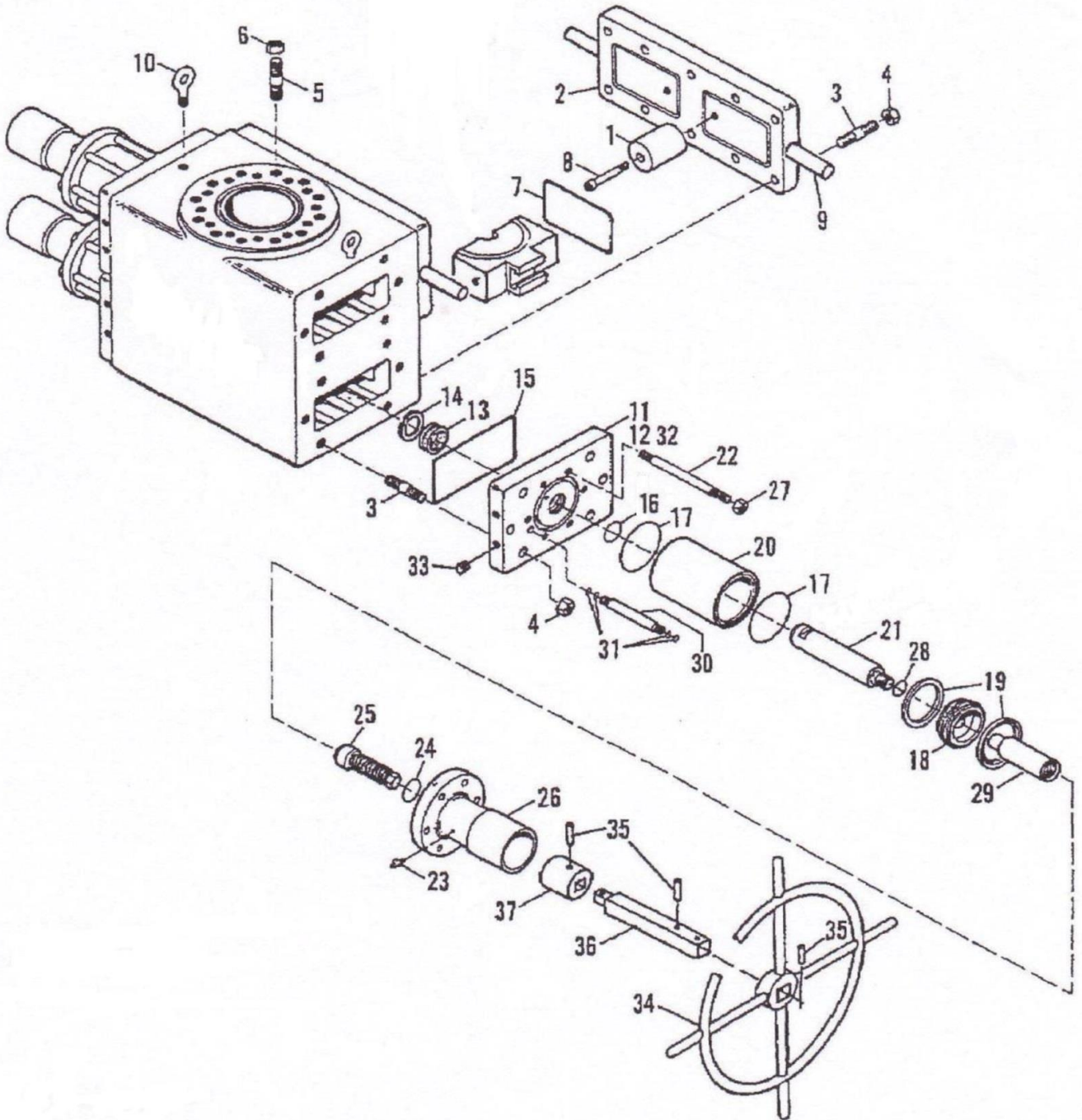
TOP SEAL & PACKERS

SIZE
Top Seal
CSO
1.315"
1.660"
1.900"
2 1/16"
2 3/8"
2 7/8"
3 1/2"
4"
4 1/2"
5"
5 1/2"

****OTHER SIZES AVAILABLE UPON REQUEST****

‡ NOT SHOWN

9" 3M Sentinel II Hydraulic BOP





7 1/16" 5M Chasavoy BOP

PARTS LIST

ITEM	PECO PN#	Description
1	185546P	Bonnet
2	185165P	Piston
3	185174P*	Ram Shaft Seal Assembly
3a	32009P**	Hydraulic Seal
3b	185173P**	Packing Adapter
3c	32004P**	Hydrostatic Seal
3d	185172P**	Wiper Ring Holder
3e	32005P**	Wiper Ring
3f	141365P**	Spiral Retaining Ring
4	32006P	Piston Seal
5	185095P	Short Style Cylinder
6	30928P	O Ring for Cylinder
7	32008P	Back Up Ring For Cylinder
8	185096P	New Style Manifold Tube
9	30653P	O-Ring for Manifold Tube
10	185169P	Cylinder Stud
11	20001P	Cylinder Nut
12	185166P	Inner Shaft
13	185176P	Inner Wear Plate
14	185167P	Locking Shaft
15	185097P	Intermediate Cylinder Head
16	32009P	Hydraulic Seal
17	185163P	Cylinder Head
18	65008P	Pipe Plug
19	20001356P	Bonnet Locating Pin
20	025056P	Copper Washer
21	185185P	Bleeder Plug
22	1500390P	Male Nipple 3/8" S.A.E.
23	5019416P	O-Ring 3/8" Quick Disconnect
24	010639P	Manual/Hydraulic Conversion Screw
25	65001P	Pipe Plug
‡	15-00070P	Male Quick Disconnect 1/4" NPT
‡	15-00071P	Female Quick Disconnect 1/4" NPT
‡	1500164P	Female Coupling 1/4" NPT 10M
‡	1500165P	Male Coupling 1/4" NPT 10M
‡	1500389P	Female Coupler 3/8" S.A.E.
‡	185161P	Longer Style Cylinder
‡	185168P	Old Style Manifold Tube
‡	185177P	Bonnet Sleeve
‡	185179P	Hose Assembly
‡	256312P	Hydraulic Hose
‡	50000P	Plastic Packing
‡	5001014P	O-Ring for 1/4" Quick Disconnect
‡	5020330P	Teflon Back-Up Ring Quick Disconnect
‡	DS294	Molded Door Gasket
‡	DS845	O-Ring Door Gasket
‡	185151-1P	Seal Kit

‡ NOT SHOWN

* SEE ILLUSTRATION FOR DETAILED BREAKDOWN

** ITEMS INCLUDED IN RAM SHAFT ASSEMBLY

RAM BLOCKS

PECO PN#	DESCRIPTION
RB72000	CSO
RB72013	1.315" (1" PIPE)
RB72016	1.66" (1 1/4" PIPE)
-	1.66" OFFSET (1 1/4" PIPE)
RB72019	1.90" (1 1/2" PIPE)
-	1.90" OFFSET (1 1/2" PIPE)
RB72021	2 1/16"
-	2 1/16" OFFSET
RB72023	2 3/8"
-	2 3/8" OFFSET
RB72027	2 7/8"
RB72034	3 1/2"
RB72040	4"
RB72044	4 1/2"
RB72050	5"
RB72054	5 1/2"

TOP SEAL & PACKERS

PECO PN#	DESCRIPTION
TS4150	TOP SEAL
FS3183	CSO
FS3184	1.315" (1" PIPE)
FS3185	1.66" (1 1/4" PIPE)
-	1.66" OFFSET (1 1/4" PIPE)
FS3186	1.90" (1 1/2" PIPE)
-	1.90" OFFSET (1 1/2" PIPE)
FS3187	2 1/16"
-	2 1/16" OFFSET
FS3188	2 3/8"
-	2 3/8" OFFSET
FS3189	2 7/8"
FS3190	3 1/2"
FS3191	4"
FS3192	4 1/2"
FS3193	5"
FS3194	5 1/2"

****OTHER SIZES AVAILABLE UPON REQUEST****



7 1/16" 5M LXT BOP

PARTS LIST

ITEM	PECO PN#	Description
1	-	Door
2	20022087	Cylinder
3	20022086	Piston Shaft
4	20022088	Locking Shaft
5	20022653	Manifold Tube
6	20022084	Cylinder Head
7	DS102	Molded Door Gasket
8	1500390P	Male Nipple 3/8" S.A.E.
9	5019416P	O-Ring 3/8" Quick Disconnect
10	30928P	O Ring for Cylinder
11	32008P	Back Up Ring For Cylinder
12	20022403	Seal F/ Cylinder Head
13	32006P	Piston Seal
14	185174P*	Ram Shaft Seal Assembly
14a	32009P**	Hydraulic Seal
14b	185173P**	Packing Adapter
14c	32004P**	Hydrostatic Seal
14d	185172P**	Wiper Ring Holder
14e	32005P**	Wiper Ring
14f	141365P**	Spiral Retaining Ring
15	30653P	O-Ring for Manifold Tube
16	20022704	DU Bearing
17	-	7/8" Hex Nut
18	-	Cylinder Stud
19	65008P	Pipe Plug
20	20020275	Pipe Plug
21	066502	Pipe Plug
22	8010201	Hex Head Cap Screw
23	20001174	Flat Washer
24	025046	Lock Washer
25	1500389P	Female Coupler 3/8" S.A.E.
26	20022085	Support Bar
27	20022650	End Cap F/ Support Bar
28	8002856	Socket Head Cap Screw
29	20022089	Lock Bar
30	20021470	Hand Knob
‡	8130121	Screw DRV
‡	185181	Handle (F/ Manual Operation)
‡	20020261	Slide Hammer
‡	20021695	Pin Assembly
‡	20024693-1P	Seal Kit

‡ NOT SHOWN

* SEE ILLUSTRATION FOR DETAILED BREAKDOWN

** ITEMS INCLUDED IN RAM SHAFT SEAL ASSY.

RAM BLOCKS

PECO PN#	DESCRIPTION
RB72000	CSO
RB72013	1.315" (1" PIPE)
RB72016	1.66" (1 1/4" PIPE)
-	1.66" OFFSET (1 1/4" PIPE)
RB72019	1.90" (1 1/2" PIPE)
-	1.90" OFFSET (1 1/2" PIPE)
RB72021	2 1/16"
-	2 1/16" OFFSET
RB72023	2 3/8"
-	2 3/8" OFFSET
RB72027	2 7/8"
RB72034	3 1/2"
RB72040	4"
RB72044	4 1/2"
RB72050	5"
RB72054	5 1/2"

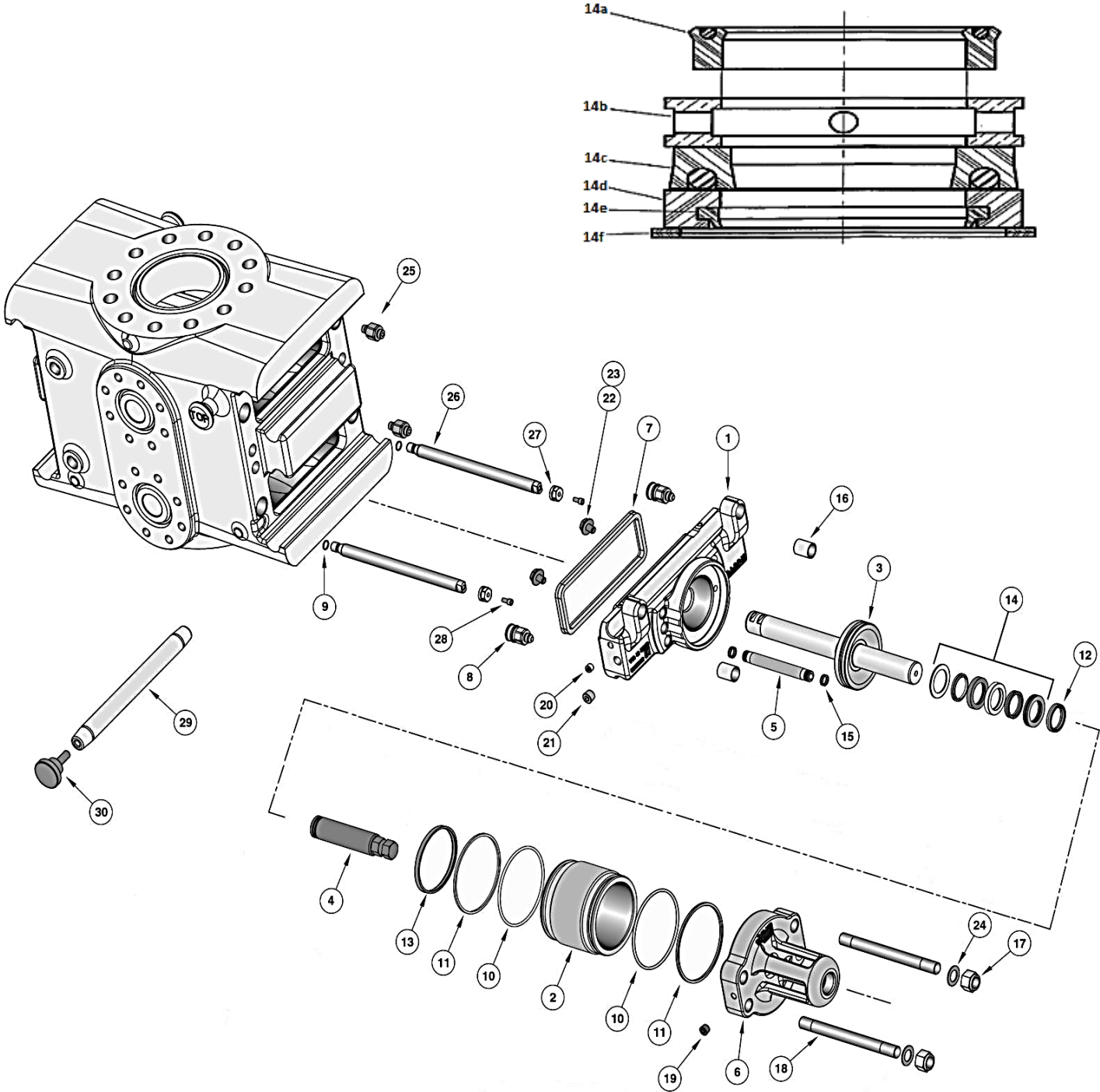
TOP SEAL & PACKERS

PECO PN#	DESCRIPTION
TS4150	TOP SEAL
FS3183	CSO
FS3184	1.315" (1" PIPE)
FS3185	1.66" (1 1/4" PIPE)
-	1.66" OFFSET (1 1/4" PIPE)
FS3186	1.90" (1 1/2" PIPE)
-	1.90" OFFSET (1 1/2" PIPE)
FS3187	2 1/16"
-	2 1/16" OFFSET
FS3188	2 3/8"
-	2 3/8" OFFSET
FS3189	2 7/8"
FS3190	3 1/2"
FS3191	4"
FS3192	4 1/2"
FS3193	5"
FS3194	5 1/2"

****OTHER SIZES AVAILABLE UPON REQUEST****

7 1/16" 5M LXT BOP

Ram Shaft Seal Assembly – 185174P

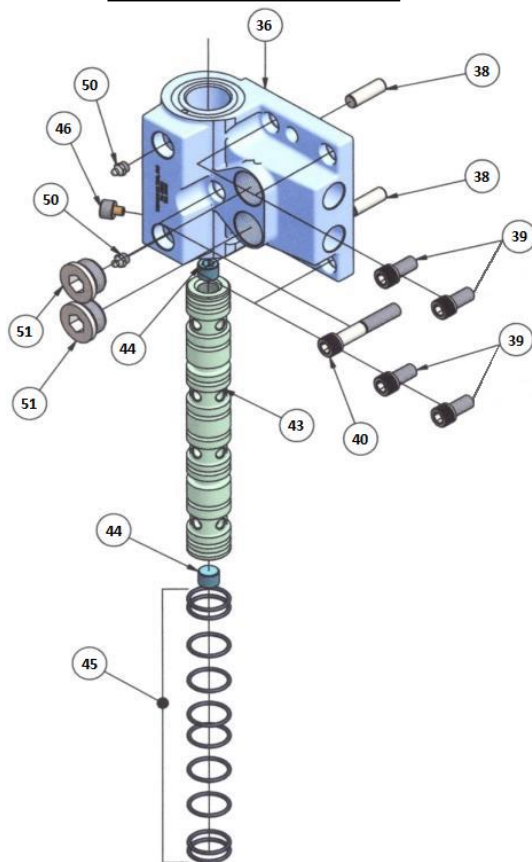


7 1/16" 5M SHAFFER T-61 (LWS) & TOWNSEND T-82 BOP

PARTS LIST

ITEM	PECO PN#	Description
1	-	Body
2	-	Right Hand Door
3	-	Left Hand Door
4	65001P	Pipe Plug
5	DS030	Door Gasket
6	133012P	Door Bolt
7	133004RP	Right Hand Cylinder
8	133004LP	Left Hand Cylinder
9	133005P	Right Hand Cylinder Head
10	133006P	Left Hand Cylinder Head
11	30141P	O Ring - Cylinder and Cylinder Head
12	133019	Stud & Nut - Cylinder & Cylinder Head (T-61 only)
12	TH7120	Cap Screw - Cylinder & Cylinder Head (T-82 only)
13	133007P	Manifold Tube - Cylinder
14	30056P	O-Ring - Cylinder Manifold Tube
15	30058P	O-Ring - Cylinder Manifold Port (T-61 only)
16	133008P	Ram Shaft
17	132415P	Packing Adapter
18	30077P	O-Ring - Outer Packing Adapter
19	30000P	O-Ring - Inner Packing Adapter
20	40952P	Retainer Ring - Packing Adapter
21	40395P	Scraper Ring - Ram Shaft
22	132413P	Piston Assembly (T-61 only)
22	TH7130	Piston Assembly (T-82 only)
23	132420P*	Piston Body
24	132422P*	Piston Rubber
25	132421P*	Retainer - Piston Rubber (T-61 only)
26	132423P*	Cap Screw - Rubber Retainer (T-61 only)
27	30071P*	O-Ring - Piston
28	132414P	Piston Locknut
29	10015P	Set Screw - Piston Locknut
30	133009P	Locking Shaft
31	130014P	Thrust Bushing - Locking Shaft
32	40146P	Retainer Ring - Thrust Bushing
33	30011P	O-Ring - Outer Thrust Bushing
34	30065P	O-Ring - Inner Thrust Bushing
35	40384P	Scraper Ring - Locking Shaft
36	132411RP**	Right Hand Hinge Bracket
36	132411LP**	Left Hand Hinge Bracket
38	50080P**	Dowel Pin
39	10681P**	Cap Screw (Short) - Hinge Bracket
40	10622P**	Cap Screw (Long) - Hinge Bracket
41	132427P	Manifold Tub - Hinge (Straight)
42	30054P	O-Ring - Hinge Manifold Tube
43	133010P**	Hinge Pin
44	65001HP**	Plug - Hinge Pin
45	30061P**	O-Ring - Hinge Pin
46	132424P**	Retainer Pin - Hinge Pin
47	66327P	Thread Protector Plug
48	-	Stud
49	-	Nut
50	50267**	Grease Fitting - Hinge Bracket
51	65002**	Socket Head Plug - Hinge Bracket
52	131107P	Hand Wheel
53	20211KP	Universal Joint
54	SEE TABLE	Ram Assembly
‡	10706	Ram Block Center Screw
‡	135848	Retractor Stud STD. Trim
‡	220087P	Hand Wheel Plug
‡	130006-1P	Seal Kit - Shaffer LWS (T-61)
‡	TH7100-1K	Seal Kit - Townsend T-82

HINGE BRACKET ASSY.



RAM BLOCKS

PECO PN#	DESCRIPTION
RB73000	CSO
RB73013	1.315" (1" PIPE)
RB73016	1.66" (1 1/4" PIPE)
RB73019	1.90" (1 1/2" PIPE)
RB73021	2 1/16"
RB73023	2 3/8"
RB73027	2 7/8"
RB73034	3 1/2"
RB73040	4"
RB73044	4 1/2"
RB73050	5"
RB73054	5 1/2"
RB73000CA	Ram Block Carrier/Holder

PACKERS

PECO PN#	DESCRIPTION
FS3857	CSO
FS3789	1.315" (1" PIPE)
FS3793	1.66" (1 1/4" PIPE)
FS3797	1.90" (1 1/2" PIPE)
FS3644	2 1/16"
FS3858	2 3/8"
FS3859	2 7/8"
FS3860	3 1/2"
FS3861	4"
FS3862	4 1/2"
FS3863	5"
FS3116	5 1/2"

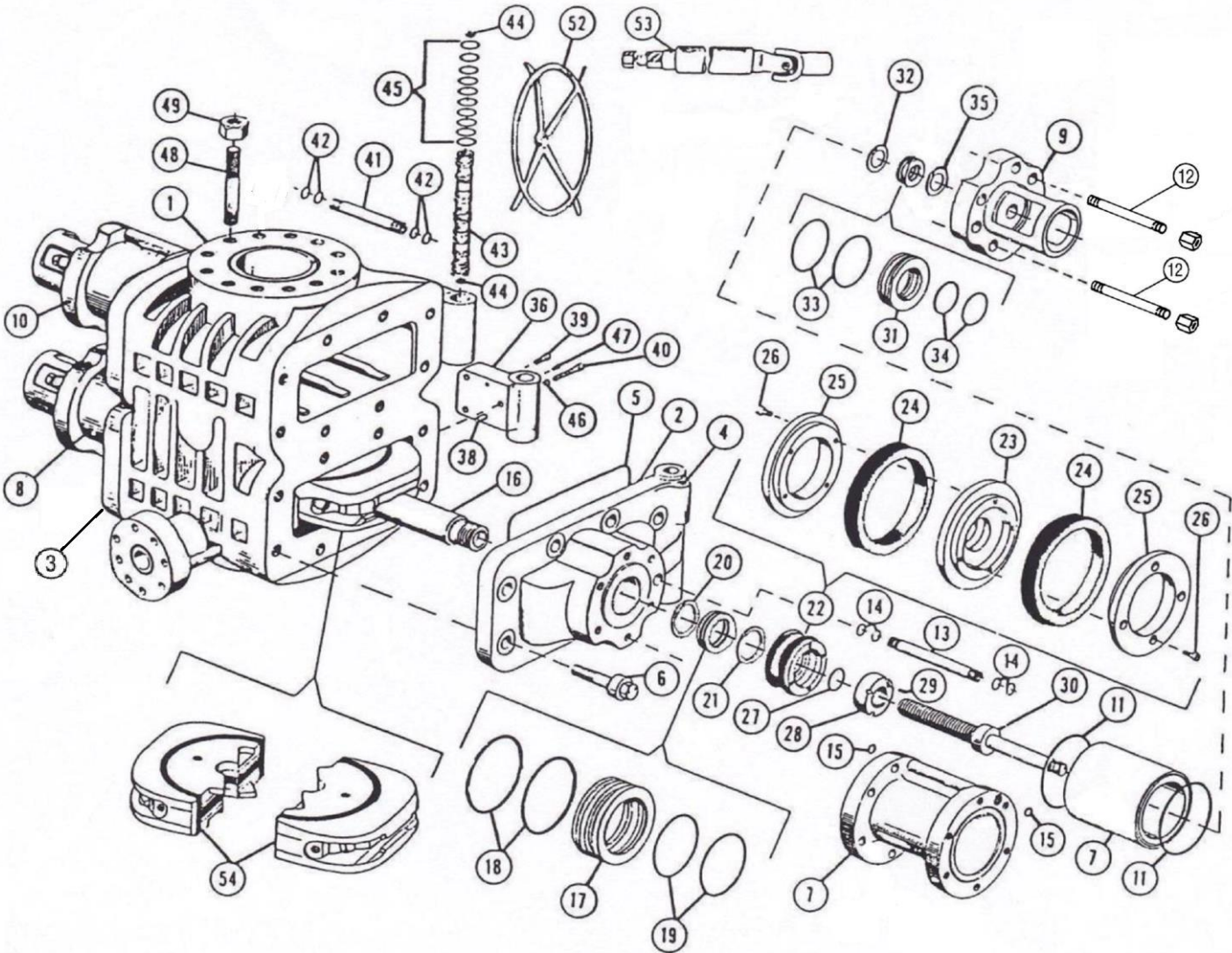
****OTHER SIZES AVAILABLE UPON REQUEST****

‡ NOT SHOWN

* ITEMS INCLUDED IN PISTON ASSY.

** ITEMS INCLUDED IN HINGE BRACKET ASSY.

7 1/16" 5M SHAFFER T-61 (LWS) & TOWNSEND T-82 BOP



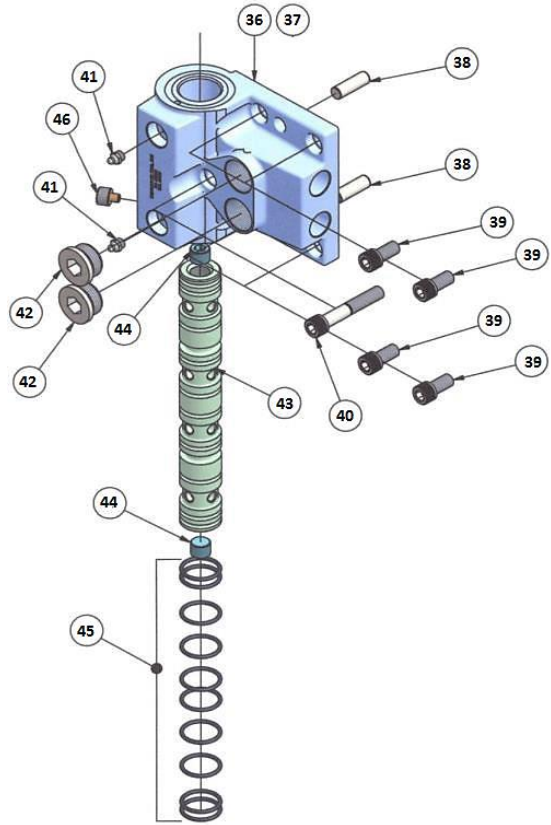
****DRAWING IS SPECIFIC FOR THE SHAFFER LWS, PLEASE CHECK THE PARTS LISTING FOR DIFFERENCES.****

11" 3M TYPE 70 (LWS) & TOWNSEND T-82 BOP

PARTS LIST

ITEM	PECO PN#	DESCRIPTION
1	-	Body
2	-	Door- Left Hand
3	-	Door- Right Hand
4	65001P	Pipe Plug
5	DS113	Door Gasket
6	133012P	Door Bolt
7	132405P	Cylinder- Left Hand
8	132404P	Cylinder- Right Hand
9	132407P	Cylinder Head- Left Hand
10	132406P	Cylinder Head- Right Hand
11	30141P	O-Ring - Cylinder & Cylinder Head
12	TH7120-11	Cap Screw - Cylinder & Cylinder Head (T-82 only)
12	138795	Stud - Cylinder & Cylinder Head (T-70 only)
13	20101	Nut - Cylinder Head Stud (T-70 only)
14	TH7122-11	Manifold Tube - Cylinder
15	30058P	O-Ring - Cylinder Manifold Port
16	141266P	Ram Shaft
17	132415P	Packing Adapter
18	30077P	O-Ring (Outer) - Packing Adapter
19	30000P	O-Ring (Inner) - Packing Adapter
20	40952P	Retainer Ring - Packing Adapter
21	40395P	Scraper Ring - Ram Shaft
22	132413P	Piston Assembly (T-70 only)
22	TH7130	Piston Assembly (T-82 only)
23	132420P*	Piston Body (T-70 only)
23	TH7131*	Piston Body (T-82 only)
24	132422P*	Piston Rubber
25	132421P*	Retainer - Piston Rubber (T-70 only)
26	132423P*	Cap Screw - Rubber Retainer (T-70 only)
27	30071P*	O-Ring - Piston
28	132414P	Piston Locknut
29	10015P	Set Screw - Piston Locknut
30	141268P	Locking Shaft
31	130014P	Thrust Bushing - Locking Shaft
32	40146P	Retainer Ring - Thrust Bushing
33	30011P	O-Ring (Outer) - Thrust Bushing
34	30065P	O-Ring (Inner) - Thrust Bushing
35	40384P	Scraper Ring - Locking Shaft
36	132411RP**	Hinge Bracket - Left Hand
37	132411LP**	Hinge Bracket - Right Hand
38	50080P**	Dowel Pin 1/2" X 1"
39	10691P**	Cap Screw - Hinge Bracket (Short)
40	10622P**	Cap Screw - Hinge Bracket (Long)
41	50267P**	Grease Fitting
42	65002P**	Socket Head Plug
43	132417P**	Hinge Pin
44	65001HP**	Plug - Hinge Pin
45	30061P**	O-Ring - Hinge Pin
46	132424P**	Retainer Pin - Hinge Pin
47	66327P	Thread Protector Plug
48	-	Stud
49	-	Nut
50	132430P	Manifold Tube - Hinge
51	30054P	O-Ring - Hinge Manifold
52	131107P	Hand Wheel
53	-	Universal Joint
54	SEE TABLES	Ram Blocks & Packers
‡	135571P	Ram Block Holder (Carrier)
‡	135575P	Retractor Stud
‡	220087P	Hand Wheel Plug
‡	130006-1P	Seal Kit - Shaffer LWS (T-70)
‡	TH7100-1K	Seal Kit - Townsend T-82

HINGE BRACKET ASSY.



RAM BLOCKS

PIPE SIZE
CSO
2 3/8"
2 7/8"
3 1/2"
4"
4 1/2"
5"
5 1/2"
7"

PACKERS

PECO PN#	PIPE SIZE
FS3801	CSO
FS3787	2 3/8"
FS3791	2 7/8"
FS3807	3 1/2"
FS3775	4"
FS3767	4 1/2"
FS3804	5"
FS3755	5 1/2"
FS3747	7"

****OTHER SIZES AVAILABLE UPON REQUEST****

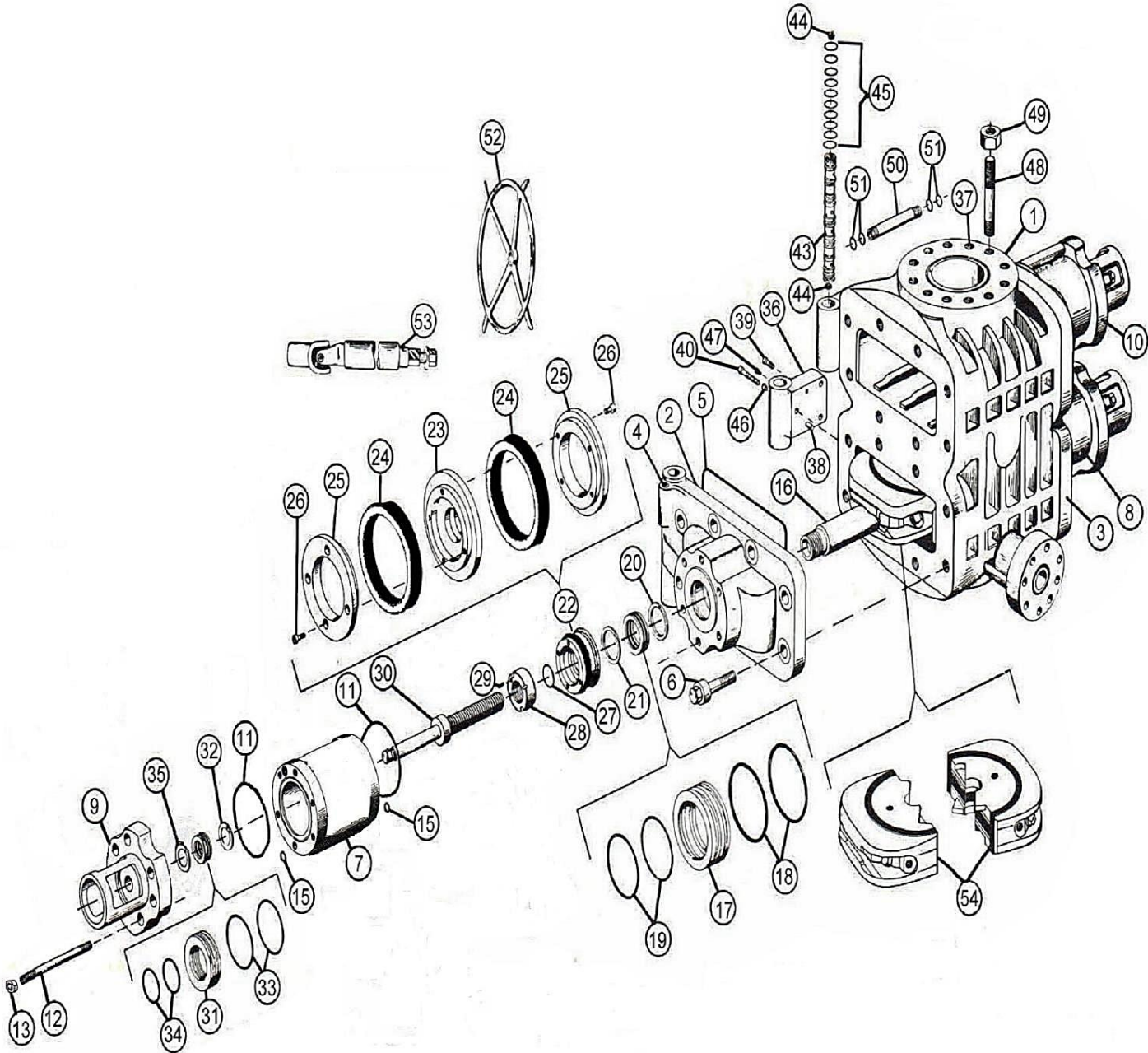
Approx. Length Across Packer Face 14" & Height is 4 1/2".

‡ NOT SHOWN

* ITEMS INCLUDED IN PISTON ASSY.

** ITEMS INCLUDED IN HINGE BRACKET ASSY.

11" 3M TYPE 70 (LWS) & TOWNSEND T-82 BOP



****DRAWING IS SPECIFIC FOR THE SHAFFER LWS, PLEASE CHECK THE PARTS LISTING FOR DIFFERENCES.****



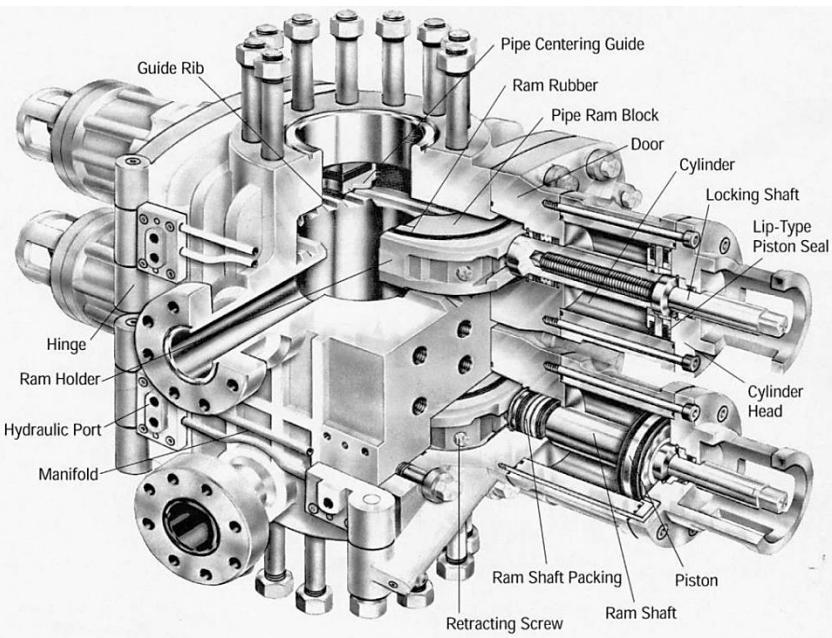
11" 5M TYPE 70 (LWS) & TOWNSEND T-82 BOP

PARTS LIST

ITEM	PECO PN#	DESCRIPTION
1	-	Body
2	-	Door- Right Hand
3	-	Door- Left Hand
4	-	Nut - Cylinder Head Stud
5	DS115	Door Gasket
6	-	Door Bolt
7	134005	Cylinder
8	134006	Cylinder Head
9	30007	O-Ring - Cylinder & Cylinder Head
10	-	Stud - Cylinder & Cylinder Head
11	10693	Cap Screw
12	30058P	O-Ring - Cylinder Manifold Port
13	141270	Ram Shaft
14	116234	Packing - Ram Shaft (T-70 only)
14	TH7133-5	Packing - Ram Shaft (T-82 only)
15	115025	Packing Adapter (T-70 only)
15	TH7125-5	Packing Adapter (T-82 only)
15a	TH7126-5	Outer O-RING-Packing Adapter (T-82 only)
15b	TH7127-5	Inner O-RING- Packing Adapter (T-82 only)
16	116236	Wiper Ring - Ram Shaft
17	116235	End Ring - Ram Shaft Packing
18	116237	Holder - Ram Shaft Wiper Ring
19	141243	Retainer Ring - Packing Adapter
20	192006	Piston Assembly (T-70 only)
20	TH7130-5	Piston Assembly (T-82 only)
21	192007*	Piston Body (T-70 only)
21	TH7131-5*	Piston Body (T-82 only)
22	115021*	Piston Rubber
23	115020*	Retainer - Piston Rubber (T-70 only)
24	10657*	Cap Screw - Rubber Retainer (T-70 only)
25	25032*	Lock Wash - Rubber Retainer (T-70 only)
26	30000P*	O-Ring - Piston
27	192103	Piston Locknut
28	10000	Set Screw - Piston Locknut
29	141273	Locking Shaft
30	134008	Thrust Bushing - Locking Shaft
31	40001	Retainer Ring - Thrust Bushing
32	116201	Locking Shaft Seal
34	141237	Wiper Ring - Locking Shaft
35	141238	Holder - Locking Shaft Wiper Ring
36	134810	Hinge Bracket
37	50096	Dowel Pin 1/2" X 1"
38	10726	Cap Screw - Hinge Bracket
39	134812	Manifold Tube - Hinge
40	30056P	O-Ring - Hinge Manifold
41	134811	Hinge Pin
42	65001HP	Plug - Hinge Pin
43	30064	O-Ring - Hinge Pin
44	132424P	Retainer Pin - Hinge Pin
45	66327P	Thread Protector Plug
46	-	Stud
47	-	Nut
50	115050	Hand Wheel
51	-	Universal Joint
53	SEE TABLES	Ram Blocks & Packers
‡	135875	Ram Block Holder (Carrier)
‡	135575	Retractor Stud
‡	8724P	Check Valve
‡	220087P	Hand Wheel Plug
‡	141966-1P	Seal Kit - Shaffer LWS (T-70)
‡	TH8200-5-1K	Seal Kit - Townsend T-82

‡ NOT SHOWN

* ITEMS INCLUDED IN PISTON ASSY.



****DRAWING IS SPECIFIC FOR THE SHAFFER LWS.****

RAM BLOCKS

PIPE SIZE
CSO
2 3/8"
2 7/8"
3 1/2"
4"
4 1/2"
5"
5 1/2"
7"

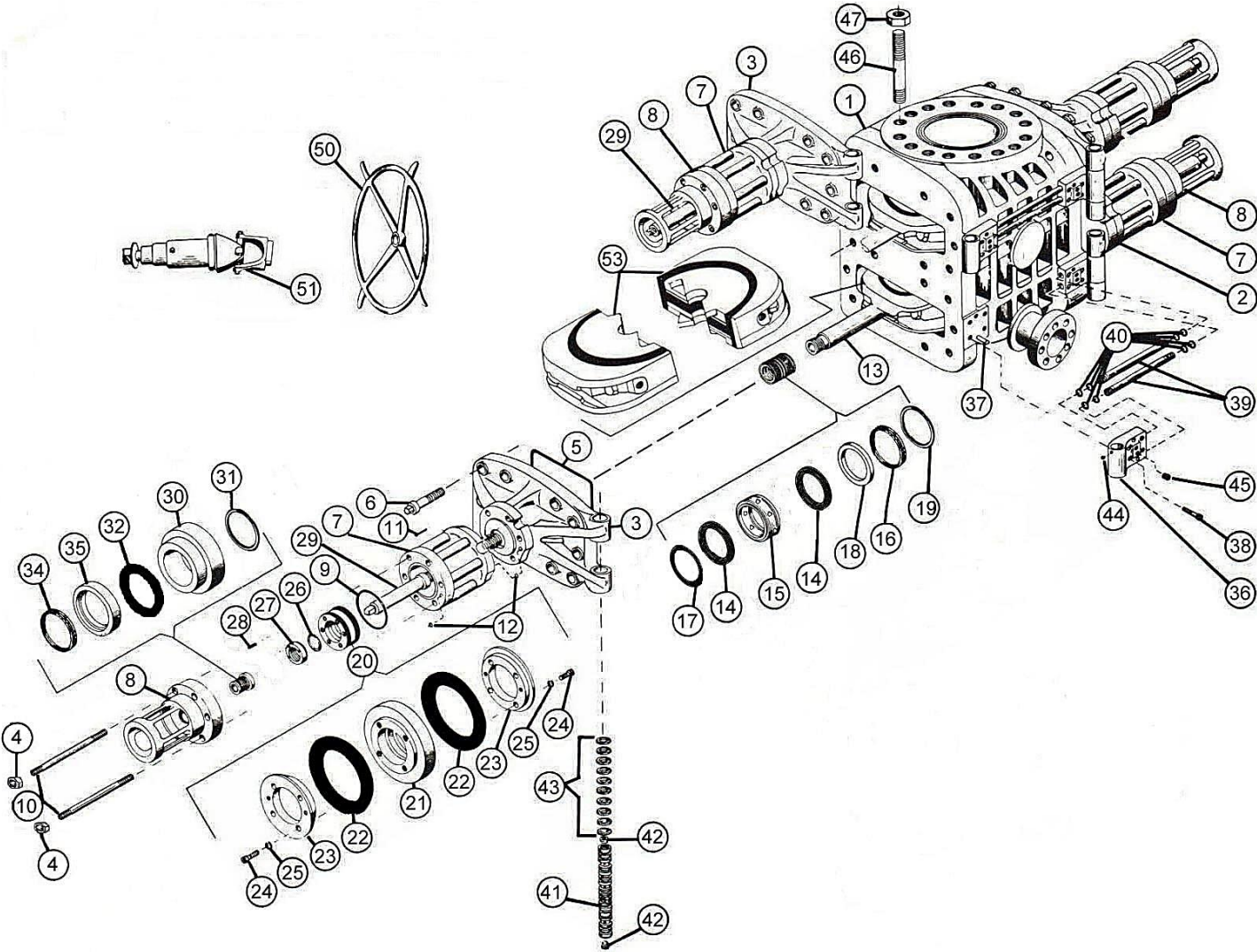
PACKERS

PECO PN#	PIPE SIZE
FS3107	CSO
FS3124	2 3/8"
FS3128	2 7/8"
FS3132	3 1/2"
FS3136	4"
FS3144	4 1/2"
FS3148	5"
FS3152	5 1/2"
FS3160	7"

****OTHER SIZES AVAILABLE UPON REQUEST****

Approx. Length Across Packer Face 15" & Height is 4 1/2".

11" 5M TYPE 70 (LWS) & TOWNSEND T-82 BOP



****DRAWING IS SPECIFIC FOR THE SHAFFER LWS, PLEASE CHECK THE PARTS LISTING FOR DIFFERENCES.****



7 1/16" 3M-15M Type U BOP

PARTS LIST

RAM BLOCKS

ITEM	PN#	DESCRIPTION
1	-	BODY
2	-	INTERMEDIATE FLANGE
3	-	BONNET
4	SEE TABLE	RAM ASSEMBLY
5	667940P	OPERATING PISTON
6	30274-02P	OPERATING CYLINDER
7	30308-01P	HOUSING LOCKING SCREW
8	30326P	LOCKING SCREW
9	30324P	RAM CHANGE POSITION - OPEN
10	30325P	RAM CHANGE POSITION - CLOSE
11	30273-02P	RAM CHANGE CYLINDER
12	*	BONNET BOLT
13	5913-60P	ALLEN HEAD BOLT - LOCKING SCREW HOUSING (TOWNSEND)
‡	5913-26-10P	STUD - LOCKING SCREW HOUSING (CAMERON)
‡	12955-11-10P	NUT - LOCKING SCREW HOUSING (CAMERON)
15	8724P	CHECK VALVE
16	5940-09P	SCREW f/ PLASTIC PACKING
17	5930-05P	PIPE PLUG f/ PLASTIC PACKING
18	12469-36P	PLASTIC PACKING RING
19	18586-12P	PLASTIC ENERGIZING RING
20	11741-37P	CONNECTING ROD SEAL RING
21	21792-21P	BACK-UP RING
22	DS701	BONNET SEAL
23	30313-02P	RAM GUIDE PIN
24	702640-44-61P	O-RING - OPERATING CYLINDER
25	18492-92P	O-RING - OPERATING PISTON ROD to INT. FLANGE
26	710541P	OPERATING PISTON LIP SEAL
27	11741-32P	TAIL ROD SEAL RING
28	702640-33-11P	O-RING - WIPING
29	18491-73P	O-RING - RAM CHANGE PISTON to BODY
30	702940-32-91P	O-RING - RAM CHANGE PISTON ROD to INT. FLANGE
31	702640-33-81P	O-RING - RAM CHANGE CYLINDER to INT. FLANGE
32	702640-34-21P	O-RING - RAM CHANGE CYLINDER to BONNET
33	702640-33-21P	O-RING - RAM CHANGE PISTON
34	**	O-RING - BONNET BOLT RETAINER
35	702585-22-00-50P	CAP SCREW - INT. FLANGE to BONNET
36	17454-08P	BLEEDER GLAND
37	17454-09P	BLEEDER PLUG
38	11849P	LIFTING EYE
40	2353-26P	STEEL WASHER
41	18572-83P	RETAINER RING
42	49223-03P	OPERATING PISTON WEAR RING
‡	7650-08P	PLASTIC PACKING
‡	644909-01P	SEAL KIT (3M - 15M)

PECO PN#	DESCRIPTION
RB74000	CSO
RB74013	1.315" (1" PIPE)
RB74016	1.66" (1 1/4" PIPE)
RB74019	1.90" (1 1/2" PIPE)
RB74021	2 1/16"
RB74023	2 3/8"
RB74027	2 7/8"
RB74031	3 1/16"
RB74034	3 1/2"
RB74040	4"
RB74044	4 1/2"
RB74046	4 3/4"
RB74050	5"
RB74054	5 1/2"

TOP SEAL & PACKERS

PECO PN#	DESCRIPTION
TS2141	TOP SEAL
FS3501	CSO
FS3503	1.315" (1" PIPE)
FS3504	1.66" (1 1/4" PIPE)
FS3505	1.90" (1 1/2" PIPE)
FS3506	2 1/16"
FS3507	2 3/8"
FS3507S	2 3/8" (STRIPPING / SNUBBING)
FS3508	2 7/8"
FS3508S	2 7/8" (STRIPPING / SNUBBING)
FS3510	3 1/16"
FS3509	3 1/2"
FS3511	4"
FS3512	4 1/2"
FS3513	4 3/4"
FS3514	5"
FS3515	5 1/2"
IN3515	WEAR INSERT 2 3/8" STRIP/SNUB
IN3516	WEAR INSERT 2 7/8" STRIP/SNUB

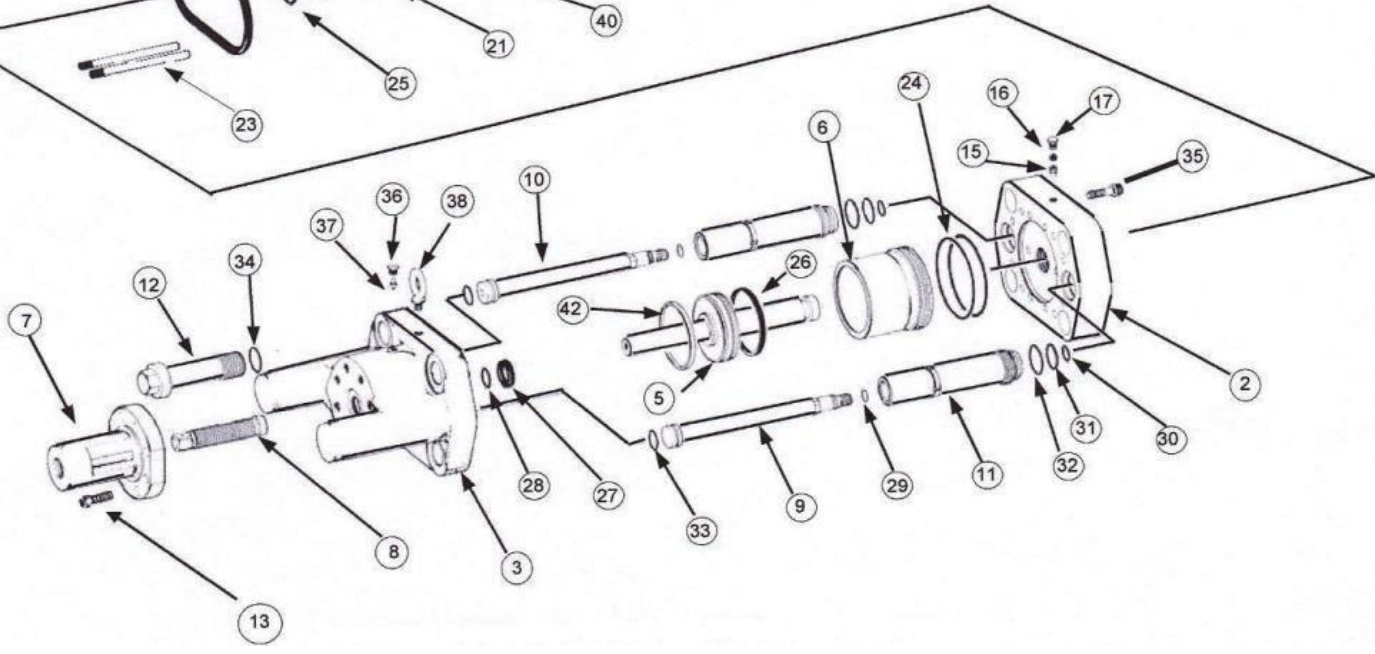
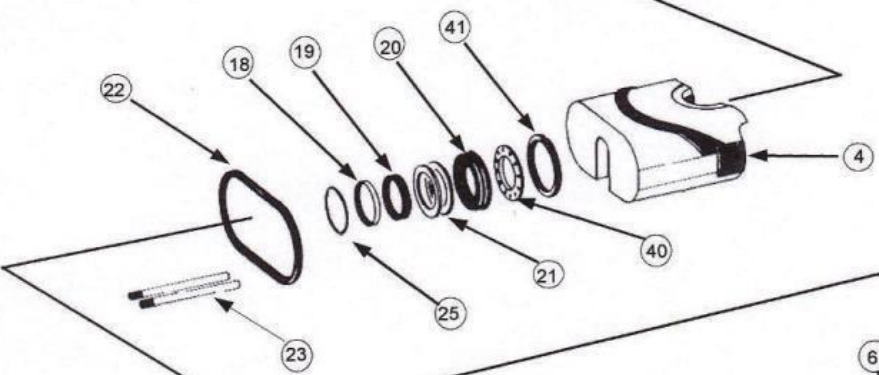
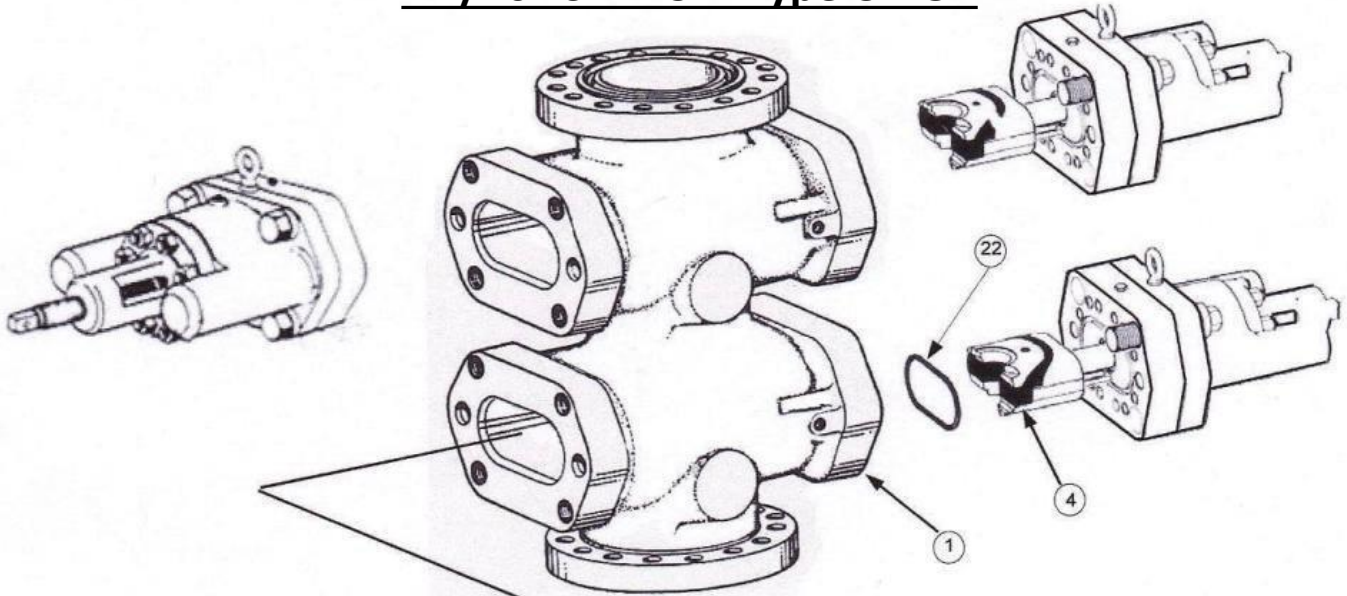
****OTHER SIZES AVAILABLE UPON REQUEST****

‡ NOT SHOWN

* 3M -- PN# 30312-06P; 5M -- PN# 30312-02P; 10M -- PN# 30312-07P; 15M -- PN# 30312-01P

** 3M -- PN# 702640-22-31P; 5M -- PN# 702640-22-51P; 10M -- PN# 702640-22-91P; 15M -- PN# 702640-23-21P

7 1/16" 3M-15M Type U BOP





11" 3M-10M Type U BOP

PARTS LIST

ITEM	PN#	DESCRIPTION
1	-	BODY
2	-	INTERMEDIATE FLANGE
3	-	BONNET
4	SEE TABLE	RAM ASSEMBLY
5	673178P	OPERATING PISTON
6	30274-03P	OPERATING CYLINDER
7	30308-02P	HOUSING LOCKING SCREW
8	30365P	LOCKING SCREW
9	30362P	RAM CHANGE POSITION - OPEN
10	30363P	RAM CHANGE POSITION - CLOSE
11	30273-03P	RAM CHANGE CYLINDER
12	*	BONNET BOLT
13	5915-25P	ALLEN HEAD BOLT - LOCKING SCREW HOUSING (TOWNSEND)
‡	5915-25-10P	STUD - LOCKING SCREW HOUSING (CAMERON)
‡	12955-17-10P	NUT - LOCKING SCREW HOUSING (CAMERON)
15	8724P	CHECK VALVE
16	5940-09P	SCREW f/ PLASTIC PACKING
17	5930-05P	PIPE PLUG f/ PLASTIC PACKING
18	12469-38P	PLASTIC PACKING RING
19	18586-13P	PLASTIC ENERGIZING RING
20	11741-38P	CONNECTING ROD SEAL RING
21	21792-22P	BACK-UP RING
22	DS203	BONNET SEAL
23	30313-03P	RAM GUIDE PIN
24	702640-45-11P	O-RING - OPERATING CYLINDER
25	18492-91P	O-RING - OPERATING PISTON ROD to INT. FLANGE
26	710539P	OPERATING PISTON LIP SEAL
27	11741-33P	TAIL ROD SEAL RING
28	702640-33-51P	O-RING - WIPING
29	702640-32-61P	O-RING - RAM CHANGE PISTON to BODY
30	702940-33-11P	O-RING - RAM CHANGE PISTON ROD to INT. FLANGE
31	31423-25-13-85P	O-RING - RAM CHANGE CYLINDER to INT. FLANGE
32	**	O-RING - RAM CHANGE CYLINDER to BONNET
33	702640-33-51P	O-RING - RAM CHANGE PISTON
34	***	O-RING - BONNET BOLT RETAINER
35	702585-22-00-50P	CAP SCREW - INT. FLANGE to BONNET
36	17454-08P	BLEEDER GLAND
37	17454-09P	BLEEDER PLUG
38	11849P	LIFTING EYE
40	2353-27P	STEEL WASHER
41	18572-84P	RETAINER RING
42	49223-02P	OPERATING PISTON WEAR RING
‡	7650-08P	PLASTIC PACKING
‡	644909-02P	SEAL KIT (3M - 10M)

RAM BLOCKS

DESCRIPTION
CSO
1.315" (1" PIPE)
1.66" (1 1/4" PIPE)
1.90" (1 1/2" PIPE)
2 1/16"
2 3/8"
2 7/8"
3 1/2"
4"
4 1/2"
5"
5 1/2"
7"

TOP SEAL & PACKERS

PECO PN#	DESCRIPTION
TS2171	TOP SEAL
FS3101	CSO
-	1.315" (1" PIPE)
-	1.66" (1 1/4" PIPE)
-	1.90" (1 1/2" PIPE)
-	2 1/16"
FS3115	2 3/8"
FS3118	2 7/8"
FS3124U	3 1/2"
FS3126	4"
FS3127	4 1/2"
FS3128U	5"
FS3130	5 1/2"
-	7"

****OTHER SIZES AVAILABLE UPON REQUEST****

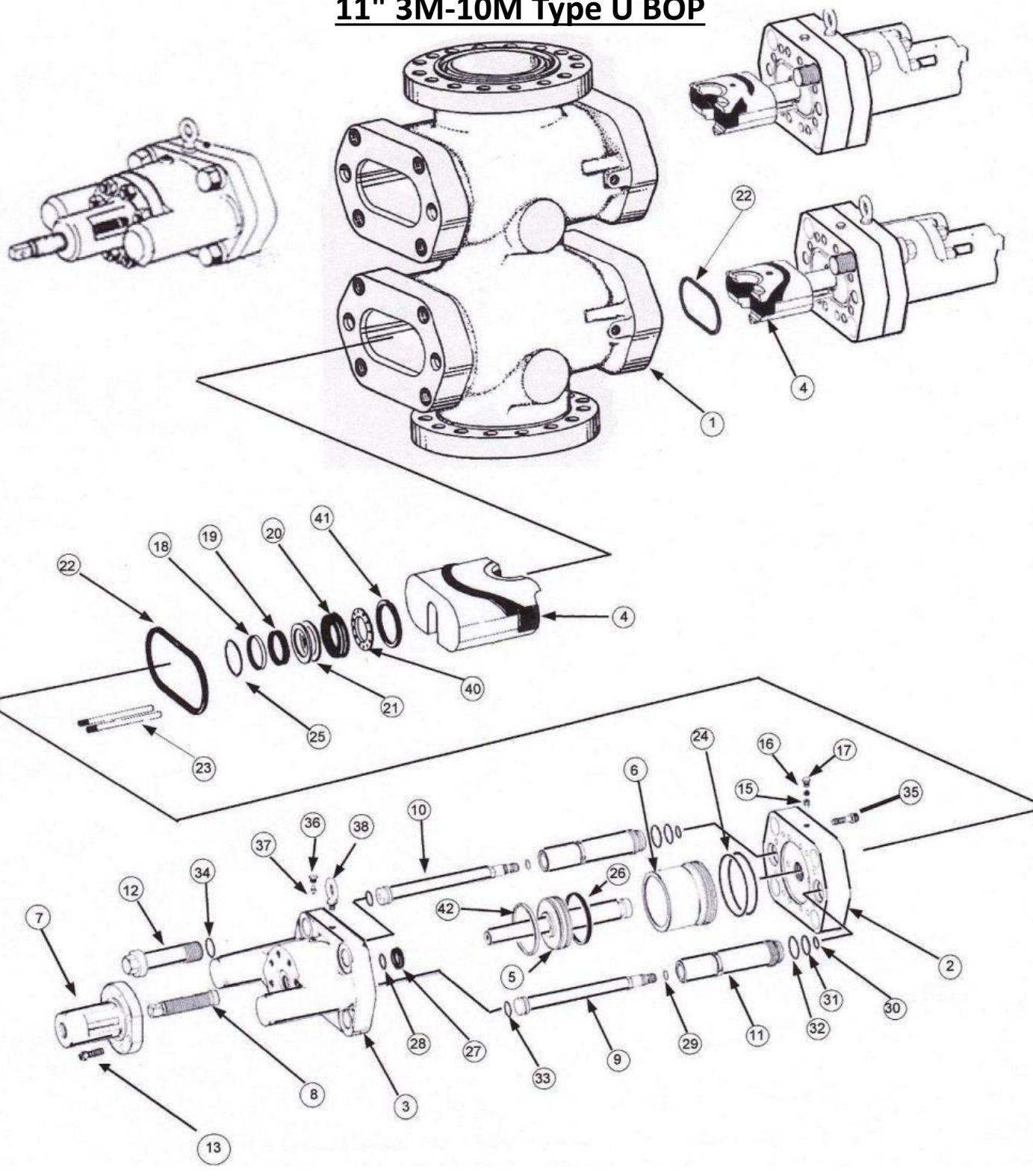
‡ NOT SHOWN

* 3M -- PN# 30312-04P; 5M -- PN# 30312-03P; 10M -- PN# 30312-05P

** 3M -- PN# 31423-26-13-85P; 5M -- PN# 31423-26-13-86P; 10M -- PN# 31423-26-13-85P

*** 3M -- PN# 702640-22-71P; 5M -- PN# 702640-22-91P; 10M -- PN# 702640-23-41P

11" 3M-10M Type U BOP





7 1/16" INTEGRATED BOP

PARTS LIST

ITEM	MFG PN#	DESCRIPTION
1	70200001	Body
2	26018200A	Hoist Ring
3	21020000	Locator Pin
4	SEE TABLE	Ram Block
5	SEE TABLE	Face Seal
6	SEE TABLE	Top Seal
9	70200013	Pressure Door
10	17110101	Door Seal
11	70200028	Eye Bolt
12	-	Hex Nut
13	70200027	Guide Pin Stud
14	70200003	Guide Pin
15	26010430	Pressure Door Cap Screw
16A	70200010	Bonnet Body, RH
16B	70200009	Bonnet Body, LH
17	15010150	Injection Port Pipe Plug
18	26014350	Injection Port Set Screw
19	26016001	Injection Port Check Valve
20	17080000	Plastic Packing Stick
21	70200011	Seal Sleeve, Short
22	70200012	Seal Sleeve, Long
23	70200215	Piston Rod
24	70200002	Cylinder
25	70200008	Piston Body
26	26014050	Piston Set Screw
27	70200014	Lock Screw
28A	70200004	End Cover, RH
28B	70200005	End Cover, LH
29	15010100	Pipe Plug
30	25100090	Bonnet Stud
31	25100051	Heavy Hex Nut
32	25100020	End Cover Stud
33	25100007	Heavy Hex Nut
34	70200007	Lock Screw Protector
35	26012050	Cap Screw
36	26017002	Lock Washer
37	70-102-041P	Seal Kit
37A	17070100	Seal Sleeve O-Ring
37B	17080050	Teflon Ring
37C	17081129	Bonnet I.D. T-Seal
37D	17080002	Injection Energizing
37E	17080001	Injection Packing Ring
37F	17091001	Poly Pack Ring
37G	17085001	Wiper Ring
37H	17100110	Bonnet O-Ring
37J	17101110	Non-Extrusion Ring
37K	17090106	Piston Rod O-Ring
37L	17091106	Non-Extrusion Ring
37M	17090105	Cylinder O-Ring
37N	17091105	Non-Extrusion Ring
37P	17081051	Piston T-Seal
37R	17081125	End Cover T-Seal

RAM BLOCKS

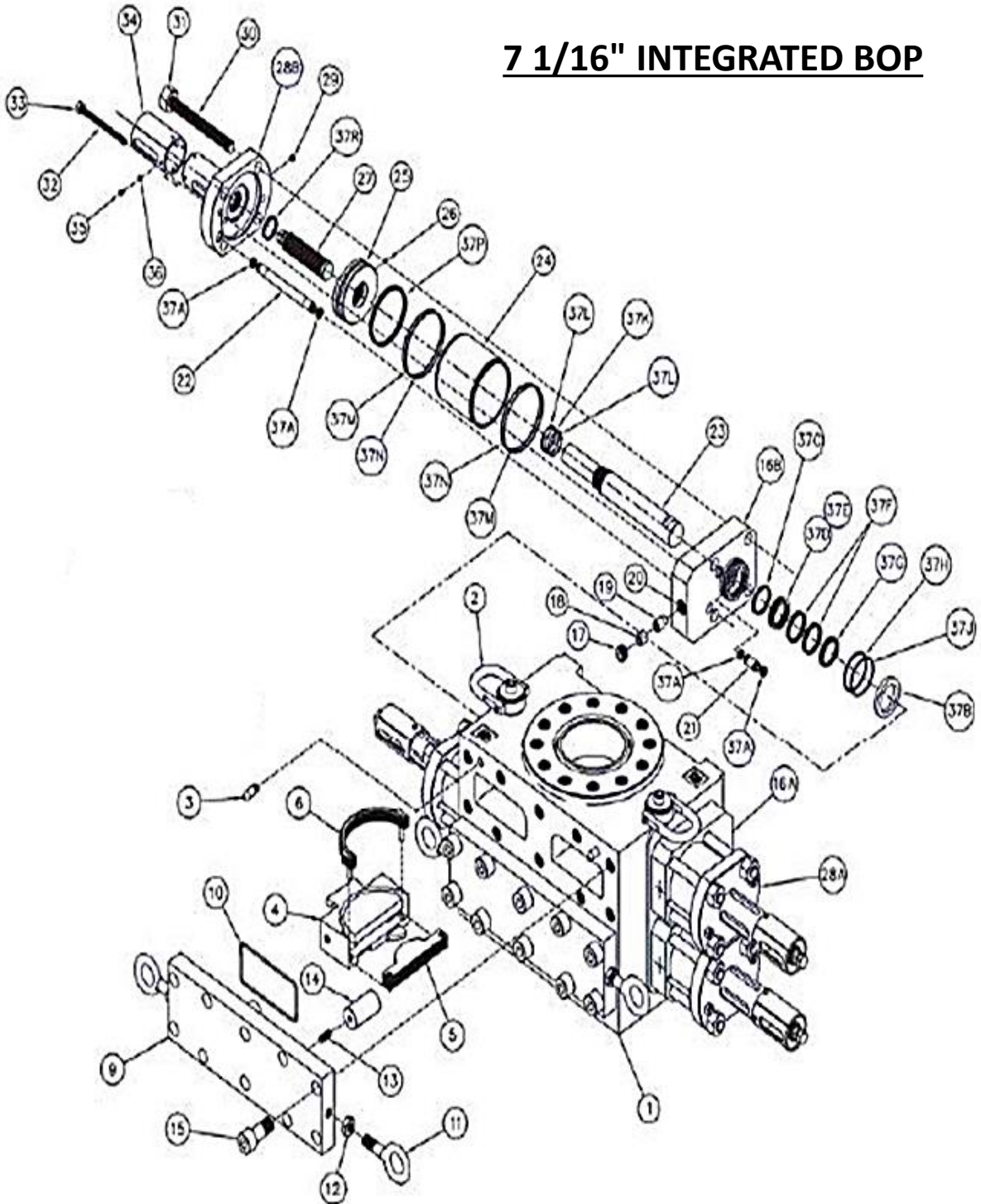
PECO PN#	SIZE
RB71000	CSO
RB71000FB	CSO Flat Back
RB71013	1.315"
RB71016	1.660"
RB71019	1.900"
RB71021	2 1/16"
RB71021OS	2 1/16" Offset
RB71023	2 3/8"
RB71023OS	2 3/8" Offset
RB71027	2 7/8"
RB71027OS	2 7/8" Offset
RB71034	3 1/2"
RB71040	4"
RB71044	4 1/2"
RB71050	5"
RB71054	5 1/2"

TOP SEAL & PACKERS

PECO PN#	SIZE
TS3023ST	Top Seal (Std.)
TS3023HC	Top Seal (High Crown)
TS3023LC	Top Seal (Low Crown)
FS3000	CSO
FS3000FB	CSO Flat Back
FS3001	1.315"
FS3002	1.660"
FS3003	1.900"
FS3004	2 1/16"
FS3006	2 3/8"
FS3008	2 7/8"
FS3009	3 1/2"
FS3066	4"
FS3067	4 1/2"
FS3068	5"
FS3069	5 1/2"

****OTHER SIZES AVAILABLE UPON REQUEST****

7 1/16" INTEGRATED BOP





Shaffer Style Annular B.O.P. – Bolted Cover Models

PARTS LIST

ITEM	QTY Req.	DESCRIPTION
1	1	Lower Housing
2	1	Upper Housing
3	1	Piston
4	1	Adapter Ring
5	1	Packing Element (NATURAL)
5		Packing Element (NITRILE)
6	1	Seal- Piston I.D. Upper
7	1	Seal- Piston I.D. Lower
8	2	Seal- Piston O.D.
9	1	Seal- Adapter I.D. Upper
10	1	Seal- Adapter I.D. Lower
11	1	Seal- Adapter O.D.
12	1	Seal- Adapter Top
13		Wear Band
14	2	Pipe Plug
15	2	Anchor Shackle

PACKING ELEMENTS

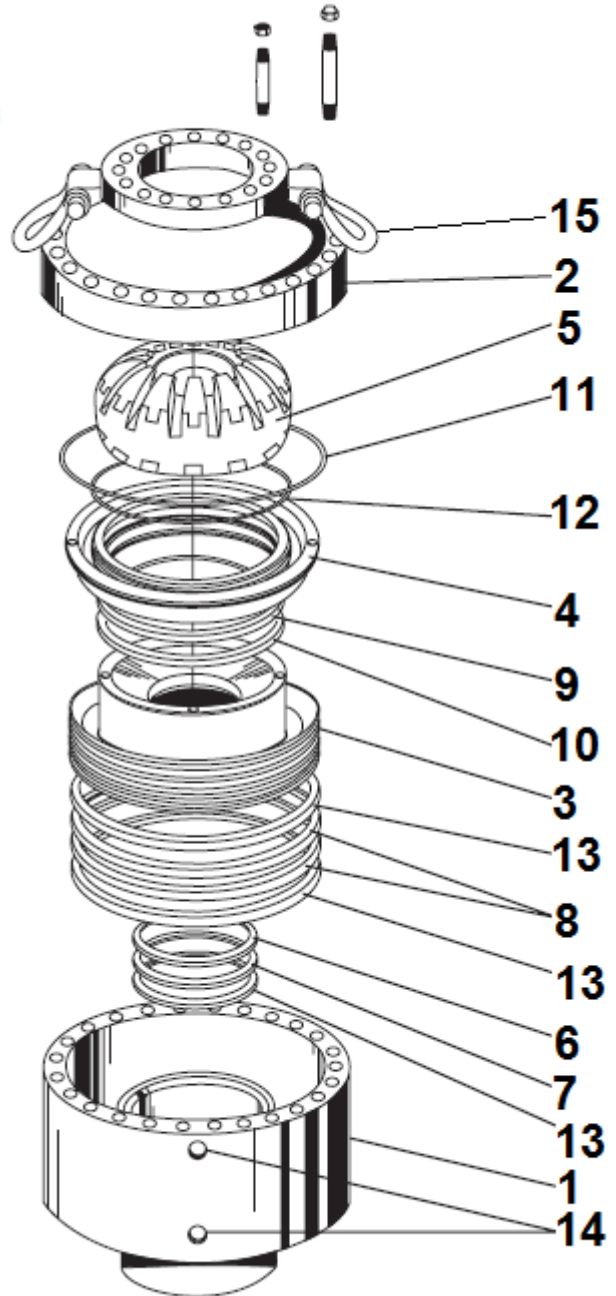
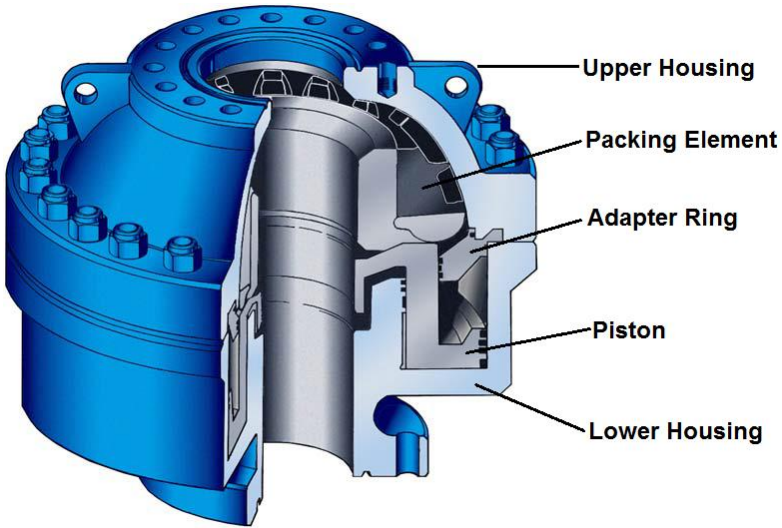
PECO PN#	DESCRIPTION
SE735NAT	7 1/16", 3/5M, Shaffer Style, Townsend T-90, Natural
SE735NATS	7 1/16", 3/5M, (XL)Shaffer Style, Townsend T-90, Nat.
SE735NBR	7 1/16", 3/5M, Shaffer Style, Townsend T-90, Nitrile
SE113NAT	11", 3M, Shaffer Style, Townsend T-90, Natural
SE113NBR	11", 3M, Shaffer Style, Townsend T-90, Nitrile
SE115NAT	11", 5M, Shaffer Style, Townsend T-90, Natural
SE115NBR	11", 5M, Shaffer Style, Townsend T-90, Nitrile

SEAL KITS

PECO PN#	DESCRIPTION
155079P	7 1/16", 3/5M Shaffer Style
155075P	11", 3M Shaffer Style
155030P	11", 5M, Shaffer Style

****OTHER SIZES & MODELS AVAILABLE UPON REQUEST****

Shaffer Style Annular B.O.P. – Bolted Cover Models





Hydril GK Style Annular B.O.P. – Screwed Head

PARTS LIST

ITEM	QTY Req.	DESCRIPTION
1	1	BOP Head
2	1	Packing Element (NATURAL)
2		Packing Element (NITRILE)
3	1	Piston
4	1	Slotted Sleeve
5	1	Body
6	1	Head Gasket
7	2	Upper U-Seal
8	2	Middle U-Seal
9	2	Lower U-Seal
10	1	Pipe Plug
11	10	Cap Screw- Slotted Sleeve
12	1	Head Lock Screw
13	1	Wear Plate (Certain Models)
14	6	Screw- Wear Plate (Certain Models)

PACKING ELEMENTS

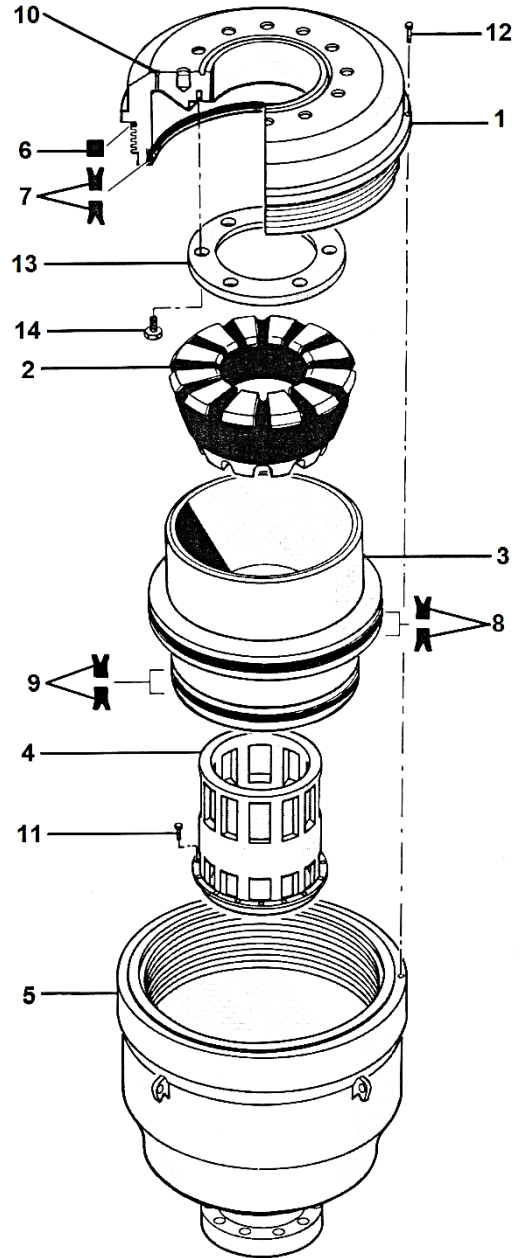
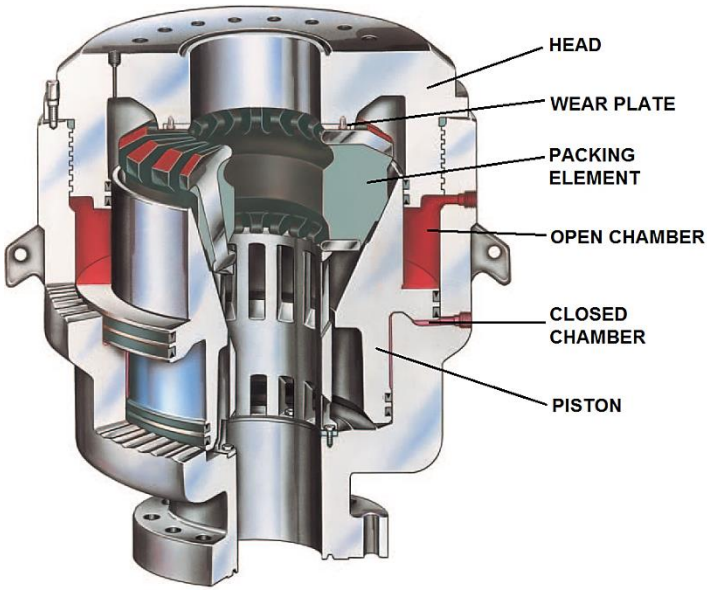
PECO PN#	DESCRIPTION
GK73NAT	7 1/16", 3M, Hydril GK Style (Natural)
GK73NBR	7 1/16", 3M, Hydril GK Style (Nitrile)
GK75NAT	7 1/16", 5M, Hydril GK Style (Natural)
GK75NBR	7 1/16", 5M, Hydril GK Style (Nitrile)
GK113NAT	11", 3M, Hydril GK Style (Natural)
GK113NBR	11", 3M, Hydril GK Style (Nitrile)
GK115NAT	11", 5M, Hydril GK Style (Natural)
GK115NBR	11", 5M, Hydril GK Style (Nitrile)

SEAL KITS

PECO PN#	DESCRIPTION
3810P	7 1/16" 3M
3823P	7 1/16" 5M
1002127P	11" 3M
1002150P	11" 5M
1002189	13 5/8" 3M
1002209	13 5/8" 5M

****OTHER SIZES & MODELS AVAILABLE UPON REQUEST****

Hydril GK Style Annular B.O.P. – Screwed Head





B.O.P. PARTS ARE AVAILBLE FOR

**CAMERON STYLE
GUIBERSON STYLE
SHAFFER STYLE
TOWNSEND STYLE
WELLSITE DUKE (WSI) STYLE
DOUBLE-E STYLE
BOWEN STYLE
HYDRIL STYLE
TRIPPLE-M STYLE
&
MORE**



RUBBER GOODS





RUBBER GOODS ARE AVAIBLE FOR

ALL STYLES OF RAM B.O.P.s

ALL STYLES OF SPHERICAL "ANNULAR" B.O.P.s

ALL STYLES OF STRIPPING HEADS

**&
MORE**

Ram Packers & Top Seals

7 1/16" T-81 (WSI / LS2), SENT, INTEGRATED

PECO PN#	SIZE
TS3023ST	Top Seal (Std.)
TS3023HC	Top Seal (High Crown)
TS3023LC	Top Seal (Low Crown)
FS3000	CSO
FS3000FB	CSO Flat Back
FS3001	1.315"
FS3002	1.660"
FS3003	1.900"
FS3004	2 1/16"
FS3006	2 3/8"
FS3068FP	2 3/8" - 2 7/8" FLEX
FS3008	2 7/8"
FS3009	3 1/2"
FS3066	4"
FS3067	4 1/2"
FS3068	5"
FS3069	5 1/2"

9" 3/5M TOWNSEND T-81

PECO PN#	SIZE
TS3227	Top Seal
FS3200	CSO
FS4200FB	CSO Flat Back
--	1.315"
--	1.660"
--	1.900"
--	2 1/16"
FS3206	2 3/8"
FS3208	2 7/8"
FS3209	3 1/2"
--	4"
FS3211	4 1/2"
--	5"
FS3213	5 1/2"

7 1/16" CHASAVOY/ T-99 (LXT)

PECO PN#	DESCRIPTION
TS4150	TOP SEAL
FS3183	CSO
FS3184	1.315" (1" PIPE)
FS3185	1.66" (1 1/4" PIPE)
-	1.66" OFFSET (1 1/4" PIPE)
FS3186	1.90" (1 1/2" PIPE)
-	1.90" OFFSET (1 1/2" PIPE)
FS3187	2 1/16"
-	2 1/16" OFFSET
FS3188	2 3/8"
-	2 3/8" OFFSET
FS3189	2 7/8"
FS3190	3 1/2"
FS3191	4"
FS3192	4 1/2"
FS3193	5"
FS3194	5 1/2"



7 1/16" TYPE-U

PECO PN#	DESCRIPTION
TS2141	TOP SEAL
FS3501	CSO
FS3503	1.315" (1" PIPE)
FS3504	1.66" (1 1/4" PIPE)
FS3505	1.90" (1 1/2" PIPE)
FS3506	2 1/16"
FS3525	2 3/8" - 2 7/8" *FLEX*
FS3507	2 3/8"
FS3507S	2 3/8" (STRIPPING / SNUBBING)
FS3520	2 3/8" SLIP RAM
FS3522	2 3/8" PUNCH RAM
FS3508	2 7/8"
FS3508S	2 7/8" (STRIPPING / SNUBBING)
FS3521	2 7/8" SLIP RAM
FS3523	2 7/8" PUNCH RAM
FS3510	3 1/16"
FS3509	3 1/2"
FS3511	4"
FS3512	4 1/2"
FS3513	4 3/4"
FS3514	5"
FS3515	5 1/2"
IN3515	WEAR INSERT 2 3/8" STRIP/SNUB
IN3516	WEAR INSERT 2 7/8" STRIP/SNUB
FS3524	BI-DIRECTIONAL REPLACEMENT PUNCH

11" TYPE-U

PECO PN#	DESCRIPTION
TS2171	TOP SEAL
FS3101	CSO
-	1.315" (1" PIPE)
-	1.66" (1 1/4" PIPE)
-	1.90" (1 1/2" PIPE)
-	2 1/16"
FS3115	2 3/8"
FS3118	2 7/8"
FS3124U	3 1/2"
FS3126	4"
FS3127	4 1/2"
FS3128U	5"
FS3130	5 1/2"
-	7"

7 1/16" T-61 (LWS)

PECO PN#	DESCRIPTION
FS3857	CSO
FS3789	1.315" (1" PIPE)
FS3793	1.66" (1 1/4" PIPE)
FS3797	1.90" (1 1/2" PIPE)
FS3644	2 1/16"
FS3858	2 3/8"
FS3859	2 7/8"
FS3860	3 1/2"
FS3861	4"
FS3862	4 1/2"
FS3863	5"
FS3116	5 1/2"



****ALL SIZES AND STYLES ARE AVAILABLE UPON REQUEST.****



Stripping Heads & Rubbers

JU RUBBER

PECO PN#	DESCRIPTION
JU5165	2 3/8" JU (PECO)
JU5166	2 7/8"JU (PECO)
JU5167	3 1/2" JU (PECO)
JU3207	1.315" JU (Tripple "M")
JU3208	1.66" JU (Tripple "M")
JU3209	1.82" JU (Tripple "M")
JU3210	2 3/8" JU (Tripple "M")
JU3211	2 7/8"JU (Tripple "M")
JU3212	3"JU (Tripple "M")
JU3213	3 1/2"JU (Tripple "M")



BIW RUBBER

PECO PN#	DESCRIPTION
BI5211	2 1/16" BIW (PECO)
BI5212	2 3/8" BIW (PECO)
BI5212HD	2 3/8" BIW *HEAVY DUTY*
BI5213	2 7/8" BIW (PECO)
BI5213HD	2 7/8" BIW *HEAVY DUTY*
BI5214	3 1/2" BIW (PECO)
BI5214HD	3 1/2" BIW *HEAVY DUTY*
BI3101	1.315" BIW (Tripple "M")
BI3103	1.66" BIW (Tripple "M")
BI3105	1.90" BIW (Tripple "M")
BI3107	2 1/16" BIW (Tripple "M")
BI3109	2 3/8" BIW (Tripple "M")
BI3111	2 7/8" BIW (Tripple "M")
BI3115	3 1/2" BIW (Tripple "M")
BI3116	4" BIW (Tripple "M")
BI3117	4 1/2" BIW (Tripple "M")



HS RUBBER

PECO PN#	DESCRIPTION
HS5151	2 1/16" H-S (PECO)
HS5152	2 3/8" H-S (PECO)
HS5153	2 7/8" H-S (PECO)
HS5156	3-1/2" H-S (PECO)
HS3270	1.66" H-S (Tripple "M")
HS3271	1.90" H-S (Tripple "M")
HS3272	2 1/16" H-S (Tripple "M")
HS3273	2 3/8" H-S (Tripple "M")
HS3274	2 7/8" H-S (Tripple "M")
HS3275	3 1/2" H-S (Tripple "M")



WASHINGTON STYLE RUBBER

PECO PN#	DESCRIPTION
WA5242	1.660" (1 1/4")
WA5243	1.900" (1 1/2")
WA5245	2 3/8"
WA5246	2 7/8"
WA5247	3 1/2"
WA5248	4 1/2"



OTHER SIZES AND STYLES ARE AVAILABLE UPON REQUEST.

Stripping Heads & Rubbers



3 3/4" A&P M-T HEAD (HYD-1)
4" A&P M-T HEAD (HYD-2)
6 1/2" A&P L-T HEAD (HYD-3)
7 1/4" A&P X-L-T HEAD (HYD-4)



7" STRAIGHT BORE WELLHEAD (TMWHS)



2 9/16" BOWEN



GULFCO S-6 (GSR)



DOUBLE "E"



HUBER-HERCULES SOS (HSOS)



LARKIN LSK



LARKIN LSR



RECTOR SSR

BIW HEAD

DESCRIPTION	PECO PN#	
	STD.	W/ 2" OUTLET
7 1/16" (2/3M)	BIW23	BIW23-2
7 1/16" (3M)	BIW3	BIW3-2
7 1/16" (5M)	BIW5	BIW5-2
7 1/16" CAP	BIWC	N/A



JU HEAD

DESCRIPTION	PECO PN#
7 1/16" MANUAL (2M)	JU2
7 1/16" MANUAL (3M)	JU3
7 1/16" HYDRAULIC (3M)	JU3H



OTHER STYLES ARE AVAILABLE UPON REQUEST.



Shaffer Spherical & Hydril GK B.O.P.

ELEMENTS

SHAFFER



PECO PN#	DESCRIPTION
SE735NAT	7 1/16", 3/5M, Shaffer Annular, Townsend T-90, Natural Rubber
SE735NBR	7 1/16", 3/5M, Shaffer Annular, Townsend T-90, Nitrile Rubber
SE113NAT	11", 3M, Shaffer Annular, Townsend T-90, Natural Rubber
SE113NBR	11", 3M, Shaffer Annular, Townsend T-90, Nitrile Rubber
SE115NAT	11", 5M, Shaffer Annular, Townsend T-90, Natural Rubber
SE115NBR	11", 5M, Shaffer Annular, Townsend T-90, Nitrile Rubber

SEAL KITS

PECO PN#	DESCRIPTION
155079P	7 1/16", 3/5M, Shaffer Annular, Townsend T-90,
155075P	11", 3M, Shaffer Annular, Townsend T-90
155030P	11", 5M, Shaffer Annular, Townsend T-90
SE735SAT	7 1/16", 3/5M, Shaffer Annular, Townsend T-90, Seal Adaptor Top

ELEMENTS

HYDRIL GK



PECO PN#	DESCRIPTION
GK73NAT	7 1/16", 3M, Hydril GK Natural Rubber
GK73NBR	7 1/16", 3M, Hydril GK Nitrile Rubber
GK75NAT	7 1/16", 5M, Hydril GK Natural Rubber
GK75NBR	7 1/16", 5M, Hydril GK Nitrile Rubber
GK113NAT	11", 3M, Hydril GK Natural Rubber
GK113NBR	11", 3M, Hydril GK Nitrile Rubber
GK115NAT	11", 5M, Hydril GK Natural Rubber
GK115NBR	11", 5M, Hydril GK Nitrile Rubber

SEAL KITS

PECO PN#	DESCRIPTION
3810P	7 1/16", 3M, Hydril GK
3823P	7 1/16", 5M Hydril GK
1002127P	11", 3M, Hydril GK
1002150P	11", 5M Hydril GK

****OTHER SIZES AVAILABLE UPON REQUEST****



*****Refer To Sect. 9 for DIES & INSERTS*****

HANDLING TOOLS & PARTS





“MYT” Elevator Assemblies and Replacement Parts

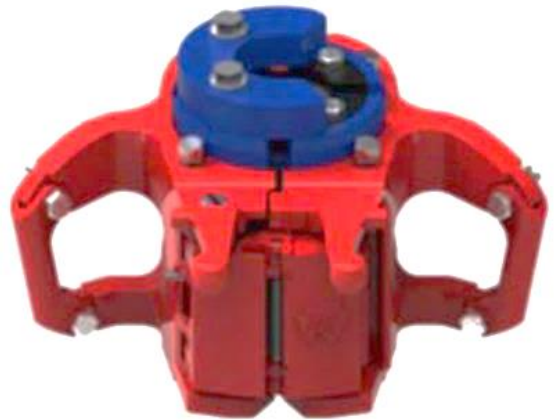
“MYT” PARTS

ITEM	PECO PN#	QTY	Description
1	MYTSS	4	2 7/8" Slip Segments (Matched Set)
2	MYTSPL1	1	2 7/8" Setting Plate
2	MYTSPL2	1	2 3/8" Setting Plate
2	MYTSPL3	1	2 1/16" Setting Plate
2	MYTSPL4	1	1 1/2" (1.900") Setting Plate
2	MYTSPL5	1	1 1/4" (1.660") Setting Plate
2	MYTSPL6	1	1" (1.315") Setting Plate
2	MYTSPL7	1	3/4" (1.050") Setting Plate
3	405	1	Hinge Pin
4	405	1	Latch
5	MYTLP	1	Latch Pin
6	MYTLS	1	Latch Spring
6	MYTLSOS	1	Oversized Latch Spring
7	405	1	Latch Lock
8	MYTLLP	1	Latch Lock Pin
9	MYTLLS	1	Latch Lock Spring
10	MYTDLP	1	Latch Lock Door Pin
11	MYTSPB	2	Setting Plate Bolt w/ Washer
12	MYTSSP	4	Slip Spring
13	405	1	Grease Fitting
14	405	2	Link Block
15	MYTIRP	4	Insert Retainer Plate
16	405	4	Link Block Bolt / Nut / Cotter
17	MYTIRB	2	Insert Retainer Plate Bolt
18	YIN1	8	2 7/8" Inserts (2 7/8" X 2 7/8")
18	YIN2	8	2 3/8" Inserts (2 3/8" X 2 7/8")
18	YIN3	8	2 1/16" Inserts (2.062" X 2 7/8")
18	YIN4	8	1 1/2" Inserts (1.900" X 2 7/8")
18	YIN5	8	1 1/4" Inserts (1.660" X 2 7/8")
18	YIN6	8	1" Inserts (1.315" X 2 7/8")
18	YIN7	8	3/4" Inserts (1.050" X 2 7/8")
19	MYTSB	4	Slip Bolt w/ Washer

“MYT” Complete Assy.

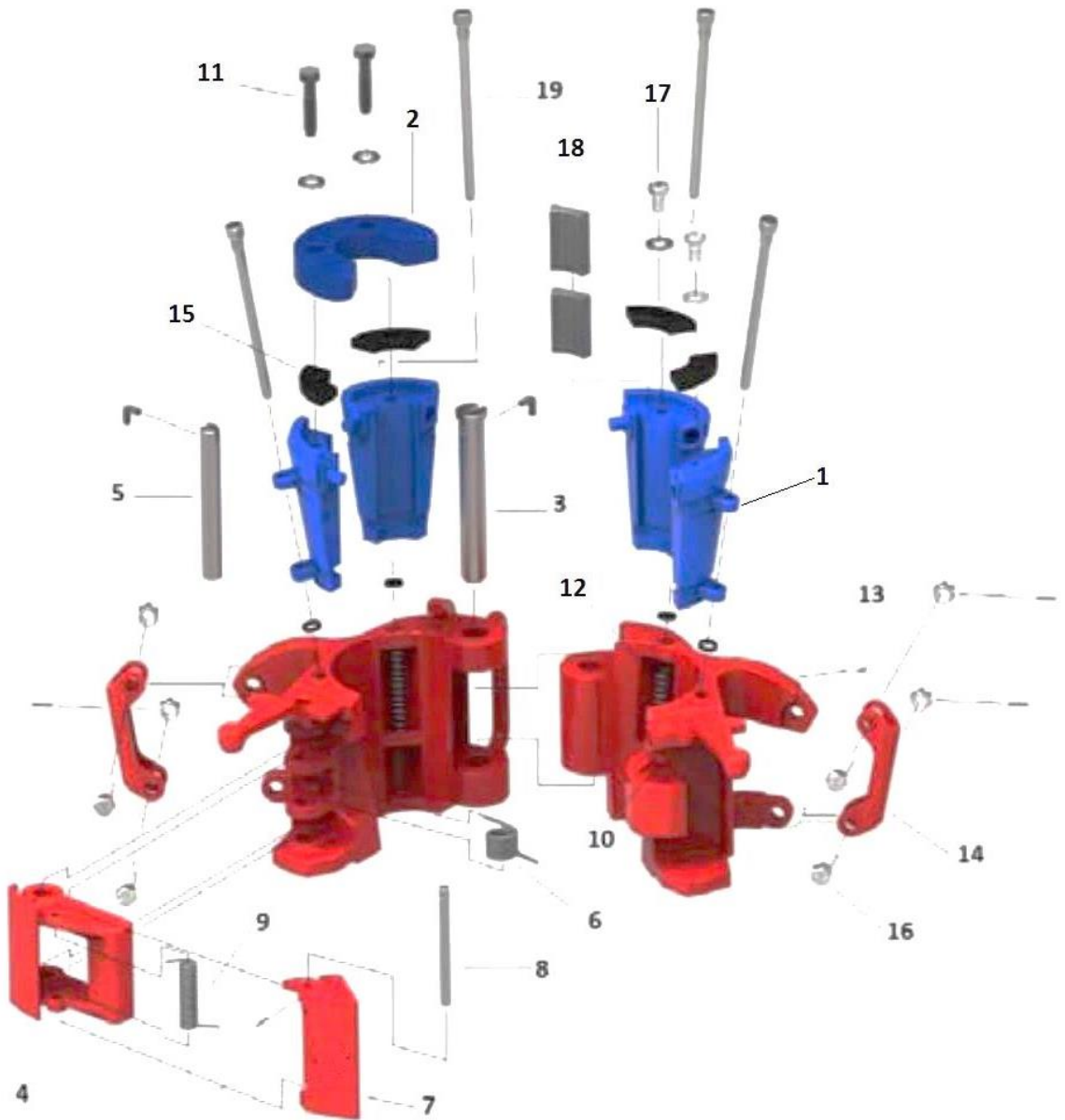
PECO PN#	Description
MYTEL	MYT 40 Ton Elevator less Slip Assembly
MYTEL+SLA	MYT 40 Ton Elevator Complete with Slip Assembly

PECO PN#	Description
MYTSLA1	2 7/8" Slip Assembly for MYT Elevator
MYTSLA2	2 3/8" Slip Assembly for MYT Elevator



****OTHER INSERT & SETTING PLATE SIZES **
AVAILABLE UPON REQUEST**

“MYT” Elevator Assemblies and Replacement Parts





“YT” Elevator Assemblies and Replacement Parts

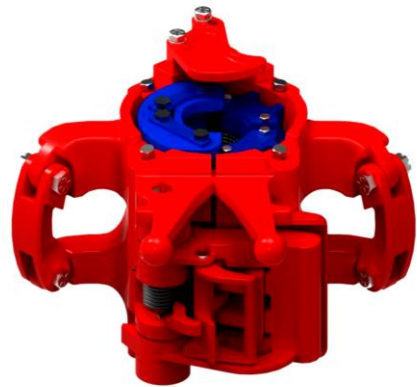
“YT” PARTS

ITEM	PECO PN#	QTY	Description
1	YTSS1	4	3 1/2" Slip Segments (MATCHING SET)
1	YTSS2	4	2 7/8" Slip Segments (MATCHING SET)
2	YTSPL1	1	3 1/2" Setting Plate
2	YTSPL2	1	2 7/8" Setting Plate
2	YTSPL3	1	2 3/8" Setting Plate
2	YTSPL4	1	2 1/16" Setting Plate
2	YTSPL5	1	2" Setting Plate
2	YTSPL6	1	1 1/2" (1.900") Setting Plate
2	YTSPL7	1	1 1/4" (1.660") Setting Plate
2	YTSPL8	1	1" (1.315") Setting Plate
3	405	1	Hinge Pin
4	405	1	Latch
5	405	1	Latch Pin
6	YTLS	1	Latch Spring
7	405	1	Latch Cam
8	405	1	Latch Lock
9	405	1	Latch Lock Pin
10	405	1	Latch Lock Door Pin
11	YTIRP1	4	Insert Retainer Plate (1"-2 7/8")
11	YTIRP2	4	Insert Retainer Plate (3 1/2")
12	405	1	Grease Fitting
13	YTIS1	4	Insert Spacer (2 7/8")
13	YTIS2	8	Insert Spacer (3 1/2")
14	405	2	Link Block
15	405	2	Upper Link Block Bolt, Nut, Cotter
16	405	2	Lower Link Block Bolt, Nut, Cotter
17	YTRB	4	Rubber Bushing
18	YTSPR1	2	Setting Plate Retainer (1- 2 7/8")
18	YTSPR2	2	Setting Plate Retainer (3 1/2")
19	YTSB1	4	Slip Bolt **OLD STYLE , THREADS ON BOTTOM**
19	YTSB2	4	Slip Bolt **NEW STYLE , THREADS ON TOP**
20	YTSSP	4	Slip Spring
21	YTGP	1	Guide Plate
22	YTGPB	2	Guide Plate Bolt w/ Washer
23	YTIRB	4	Insert Retainer Plate Bolt
24	YTSPB	4	Setting Plate Bolt
25	YIN1	12	2 7/8" Inserts (2 7/8" X 2 7/8")
25	YIN2	12	2 3/8" Inserts (2 3/8" X 2 7/8")
25	YIN3	12	2 1/16" Inserts (2.062" X 2 7/8")
25	YIN4	12	1 1/2" Inserts (1.900" X 2 7/8")
25	YIN5	12	1 1/4" Inserts (1.660" X 2 7/8")
25	YIN6	12	1" Inserts (1.315" X 2 7/8")
25	YIN7	12	3/4" Inserts (1.050" X 2 7/8")
25	YIN8	24	2 7/8" Inserts (2 7/8" x 3 1/2")
25	YIN9	24	3 1/2" Inserts (3 1/2" x 3 1/2")
25	YIN10	24	2 3/8" Inserts (2 3/8" x 3 1/2")

“YT” Complete Assy.

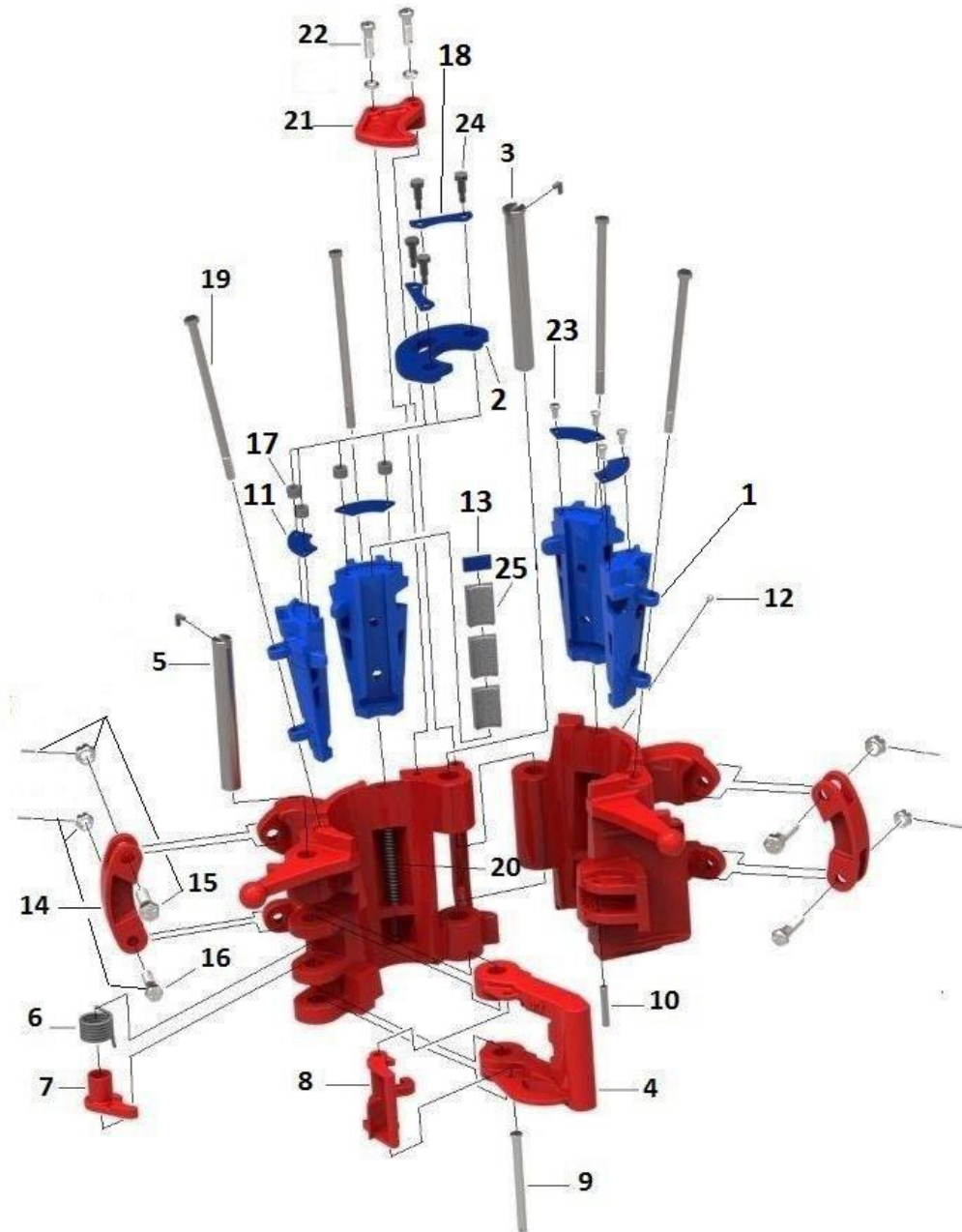
PECO PN#	DESCRIPTION
YTEL	YT 75 Ton Elevator less Slip Assembly
YTEL+SLA	YT 75 Ton Elevator Complete with Slip Assembly

PECO PN#	DESCRIPTION
YTSLA1	2 7/8" Slip Assembly
YTSLA2	3 1/2" Slip Assembly



****OTHER INSERT & SETTING PLATE SIZES **
AVAILABLE UPON REQUEST**

“YT” Elevator Assemblies and Replacement Parts





“HYT” Elevator Assemblies and Replacement Parts

“HYT” PARTS

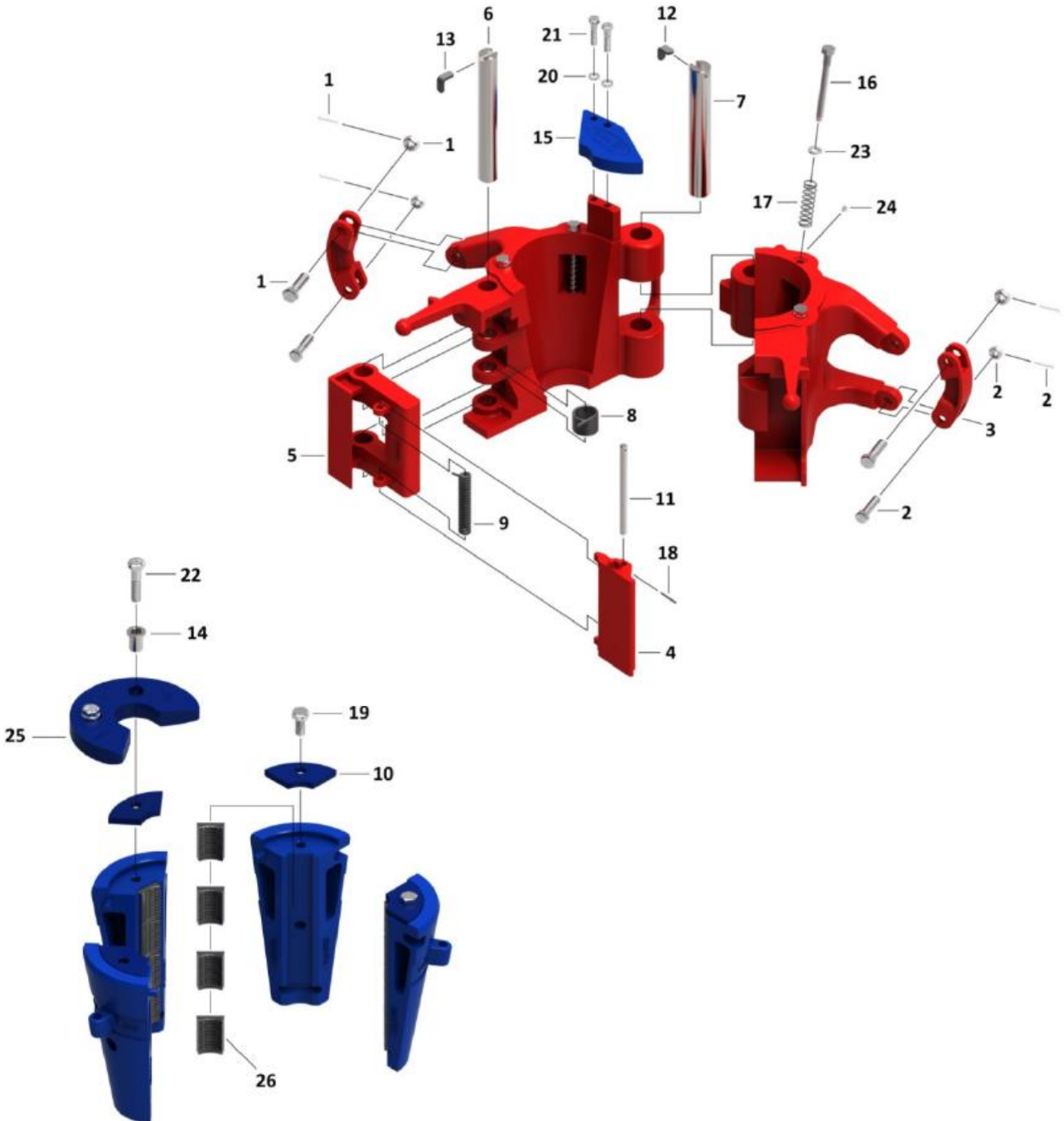
ITEM	Description
1	Upper Link Block Bolt, Nut, Cotter
2	Lower Link Block Bolt, Nut, Cotter
3	Link Block
4	Latch Lock
5	Latch
6	Latch Pin
7	Hinge Pin
8	Latch Spring
9	Latch Lock Spring
10	2 7/8" Insert Retainer Plate
10	3 1/2" Insert Retainer Plate
11	Latch Lock Pin
12	Hinge Pin Retainer
13	Latch Pin Retainer
14	Setting Plate Bushing
15	Guide Plate
16	Slip Bolt
17	Slip Spring
18	Latch Lock Pin Retainer (Spring Pin)
19	Insert Retainer Pin
20	Guide Plate Washer
21	Guide Plate Screw
22	Setting Plate Bolt
23	Slip Bolt Washer
24	Grease Fitting
25	Setting Plate (3 1/2", 2 7/8" , 2 3/8")
26	3 1/2" X 3 1/2" Inserts
26	2 7/8" X 3 1/2" Inserts
26	2 3/8" X 3 1/2" Inserts
26	2 7/8" X 2 7/8" Inserts
26	2 3/8" X 2 7/8" Inserts

“HYT” SLIP BODY SIZES

DESCRIPTION
3 1/2" Slip (32 Inserts)
2 7/8" Slip (16 Inserts)



"HYT" Elevator Assemblies and Replacement Parts





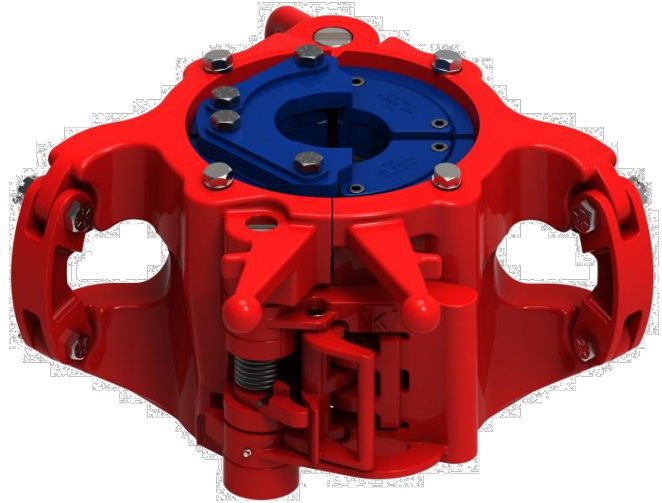
“YC” Elevator Assemblies and Replacement Parts

“YC” PARTS

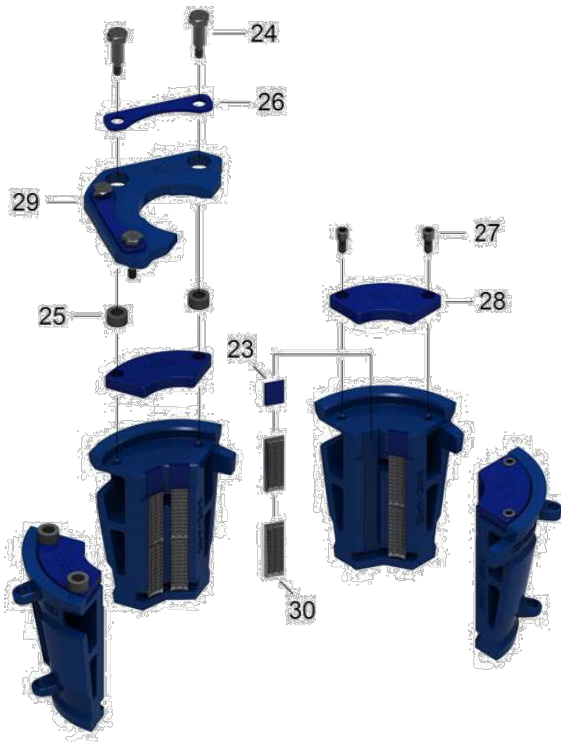
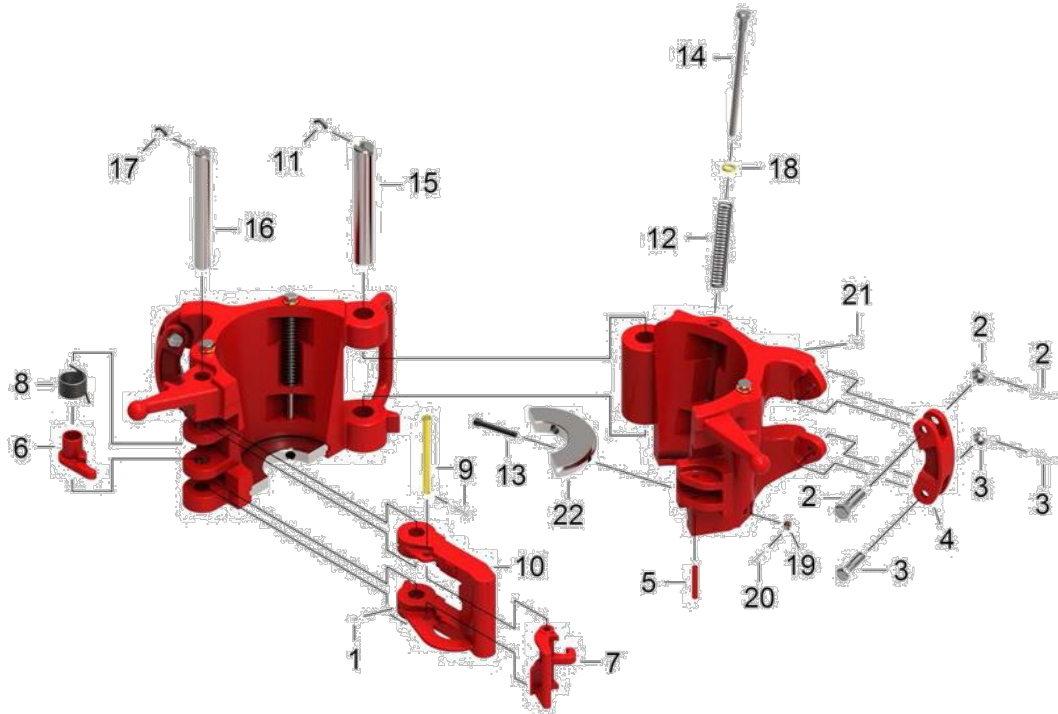
Req.	ITEM	Description
1	1	GREASE FITTING
2	2	Upper Link Block Bolt, Nut, Cotter
2	3	Lower Link Block Bolt, Nut, Cotter
2	4	Link Block
1	5	Door Lug Pin
1	6	Latch Cam
1	7	Latch Lock
1	8	Latch Spring
1	9	Latch Lock Pin W/ Cotter
1	10	Latch
1	11	Hinge Pin Retainer
4	12	Slip Spring
4	13	Bottom Guide Plate Screw
4	14	Slip Bolt
1	15	Hinge Pin
1	16	Latch Pin
1	17	Latch Pin Retainer
4	18	Lock Washer F/ Slip Bolt
4	19	Bottom Guide Plate Nut
4	20	Bottom Guide Plate Cotter
1	21	Grease Fitting
1	22	Bottom Guide Plate Set (3 1/2, 4, 4 1/2, 5, 5 1/2, 6 5/8, 7)
4	23	Insert Spacer
4	24	Setting Plate Bolt
4	25	Rubber Bushing
2	26	Setting Ring Retainer
4	27	Insert Retainer Screw
4	28	Insert Retainer Ring (3 1/2 & 4 1/2)
4	28	Insert Retainer Ring (5 & 5 1/2)
4	28	Insert Retainer Ring (6 5/8 & 7)
1	29	Setting Plate (3 1/2, 4, 4 1/2, 5, 5 1/2, 6 5/8, 7)
	30	Inserts

“YC” SLIP BODY SIZES

DESCRIPTION
4 1/2" Slip Assembly (16 Inserts)
5 1/2" Slip Assembly (16 Inserts)
7" Slip Assembly (24 Inserts)



"YC" Elevator Assemblies and Replacement Parts





PARTS/ INSERTS & ASSEMBLIES ARE ALSO AVAILABLE FOR :

Center Latch Slip Type Elevators

LYT
MYC
HYT
YC
HYC

"A" Series Center Latch Type Elevators

AA
MAA
RA
SLA-100

"X" Series Side Door Type Elevators

SX
SLX-65
SLX-100
SLX-150
SLX-250

Single Joint Type Elevators

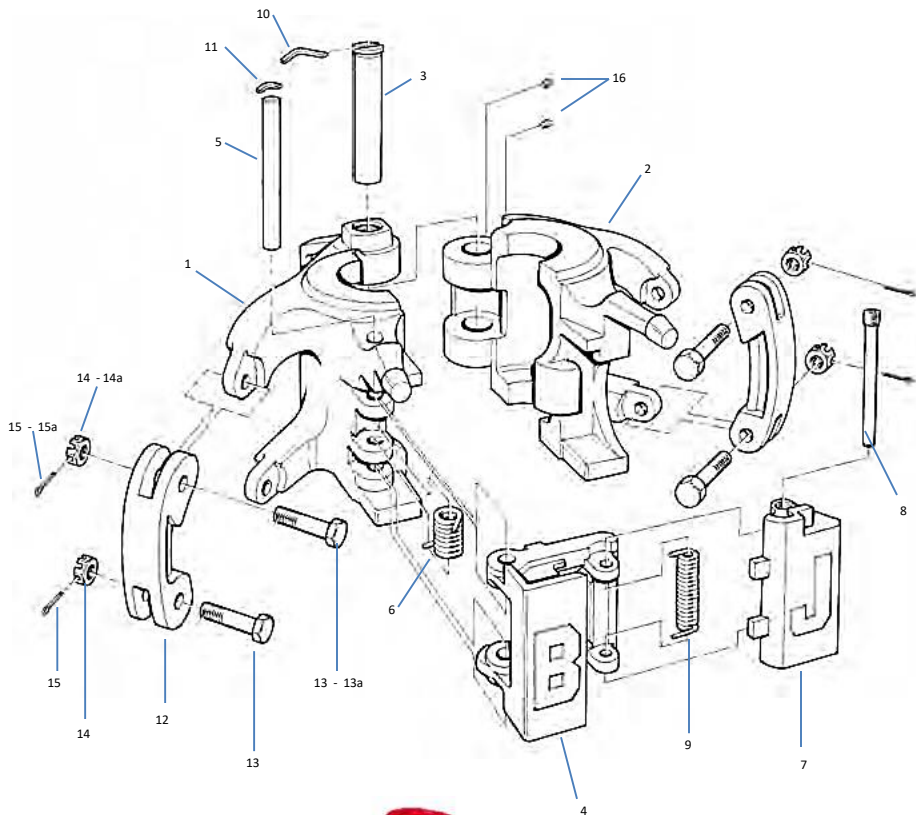
Sucker Rod Type Elevators

Slip Type Elevator/Spiders

Collar type center latch elevators

Size	Type	Cap.	Weight	Link Size	
				inches	inches
1.050" - 2 7/8"	TA	35	57	1 1/4"	1 3/4"
1.660" - 2 7/8"	TA	65	101	1 3/4"	2 3/4"
3 1/2" - 4 1/2"	TA	65	136	1 3/4"	2 3/4"
4 3/4" - 8 5/8"	TA	100	260	1 3/4"	2 3/4"
4 1/2" - 8 5/8"	TA	150	370	1 3/4"	3 1/2"
8 1/2" - 11 1/4"	TA	150	524	1 3/4"	3 1/2"

Item	Description	Qty
1	BODY	1
2	DOOR	1
3	HINGE PIN	1
4	LATCH	1
5	LATCH PIN	1
6	LATCH SPRING	1
7	LATCH LOCK	1
8	LATCH LOCK PIN	1
9	LATCH LOCK SPRING	1
10	HINGE PIN RETAINER	1
11	LATCH PIN RETAINER **TA-100 ONLY**	1
12	LINK BLOCK	2
13	LINK BLOCK BOLT	2
13a	LINK BLOCK BOLT ** TA-150 ONLY**	2
14	LINK BLOCK NUT	2
14a	LINK BLOCK NUT **TA-150 ONLY**	2
15	COTTER PIN	2
15a	COTTER PIN **TA-150 ONLY**	2
16	GREASE FITTING	2



MG (100 TON) BOTTLENECK ELEVATOR

RANGE

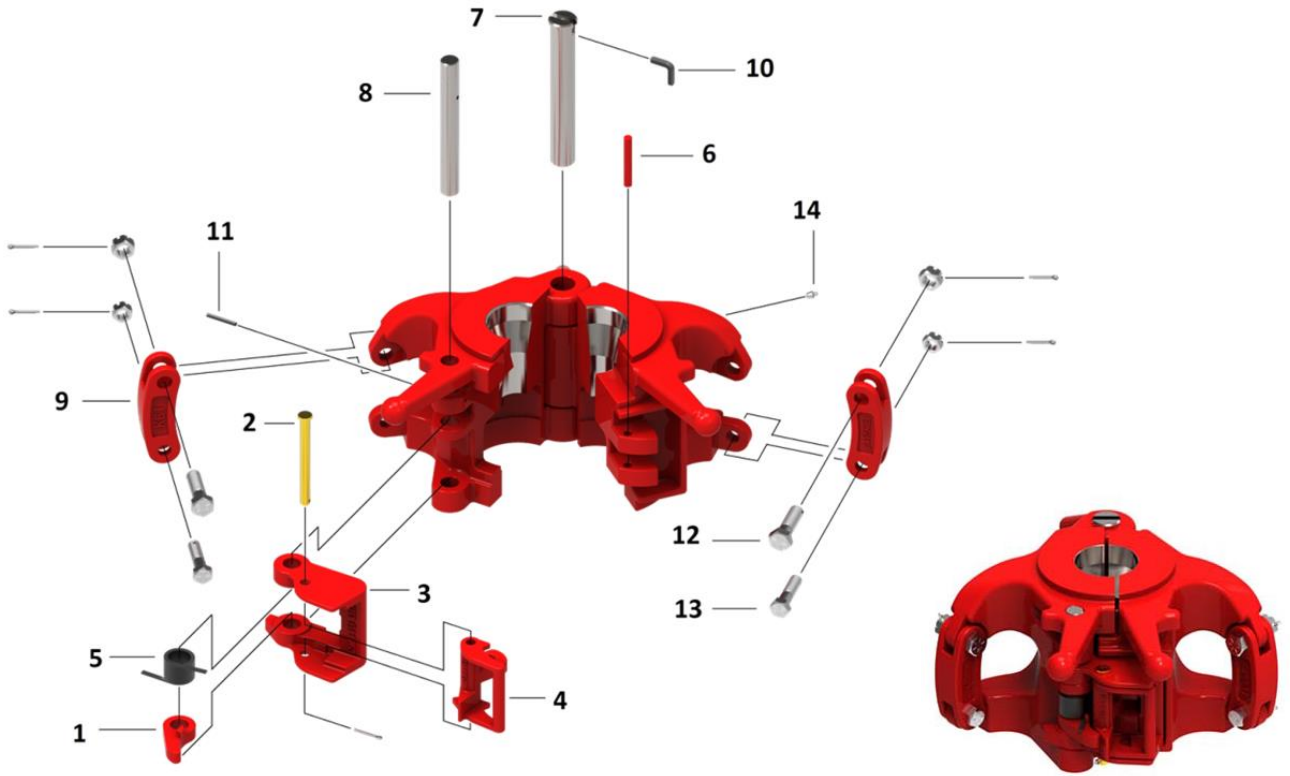
SIZE OF LINKS

WEIGHT

2-3/8" - 5"

1-3/4" - 2-3/4"

240.00



REPLACEMENT PARTS FOR MG ELEVATORS

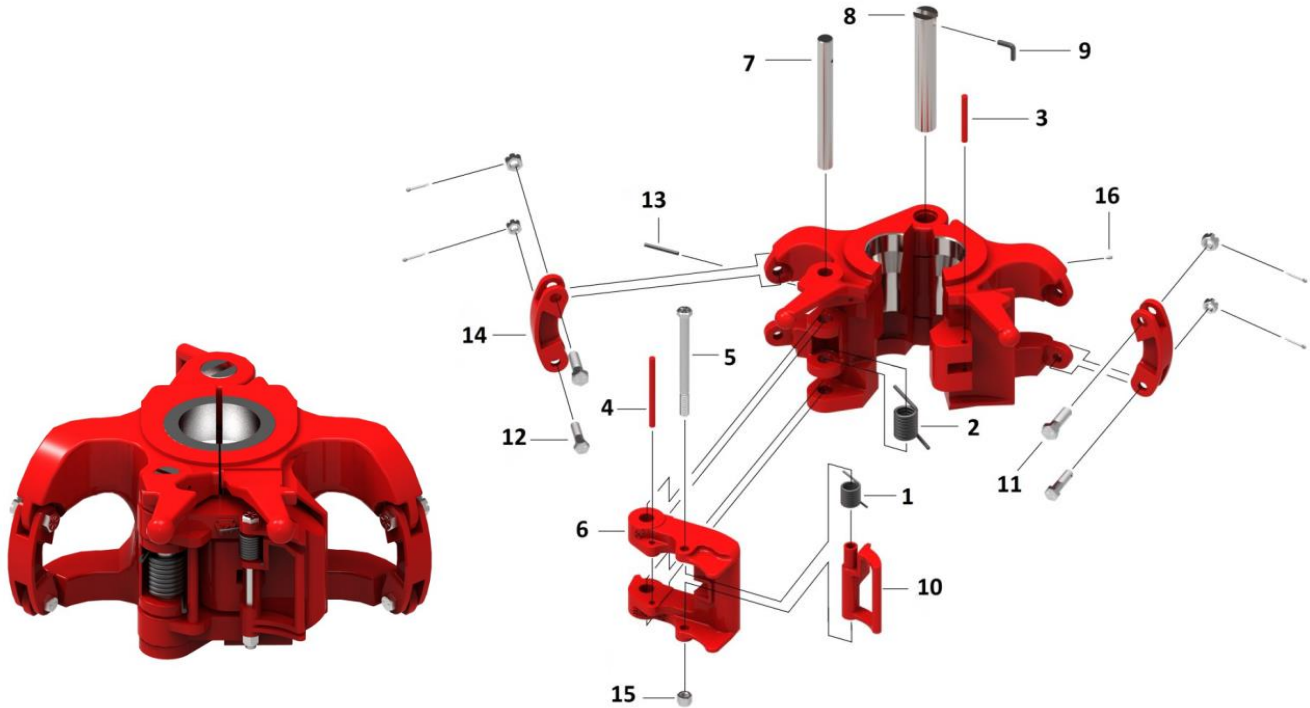
ITEM	QTY	DESCRIPTION
1	1	LATCH CAM
2	1	LATCH LOCK PIN
3	1	LATCH
4	1	LATCH LOCK
5	1	LATCH SPRING
6	1	LATCH LUG PIN
7	1	HINGE PIN
8	1	LATCH PIN
9	1	LINK BLOCK
10	1	HINGE PIN RETAINER
11	1	LATCH PIN RETAINER
12	2	UPPER LINK BLOCK BOLT, NUT, & COTTER
13	2	LOWER LINK BLOCK BOLT, NUT, & COTTER
14	1	GREASE ZERT

RG (150 TON) BOTTLENECK ELEVATOR

RANGE
2-3/8"-4-1/2"

SIZE OF LINKS
1-3/4"-2-3/4"

WEIGHT
320.00



REPLACEMENT PARTS FOR RG ELEVATORS

ITEM	QTY	DESCRIPTION
1	1	LATCH LOCK SPRING
2	1	LATCH SPRING
3	1	LATCH LUG PIN
4	1	SPRING STOP PIN
5	1	LATCH LOCK BOLT & NUT
6	1	LATCH
7	1	LATCH PIN
8	1	HINGE PIN
9	1	HINGE PIN RETAINER
10	1	LATCH LOCK
11	2	UPPER LINK BLOCK BOLT, NUT, & COTTER
12	2	LOWER LINK BLOCK BOLT, NUT, & COTTER
13	1	ROLL PIN
14	2	LINK BLOCK
15	1	LATCH LOCK NUT
16	1	GREASE ZERT

MGG (250 TON) BOTTLENECK ELEVATOR

RANGE

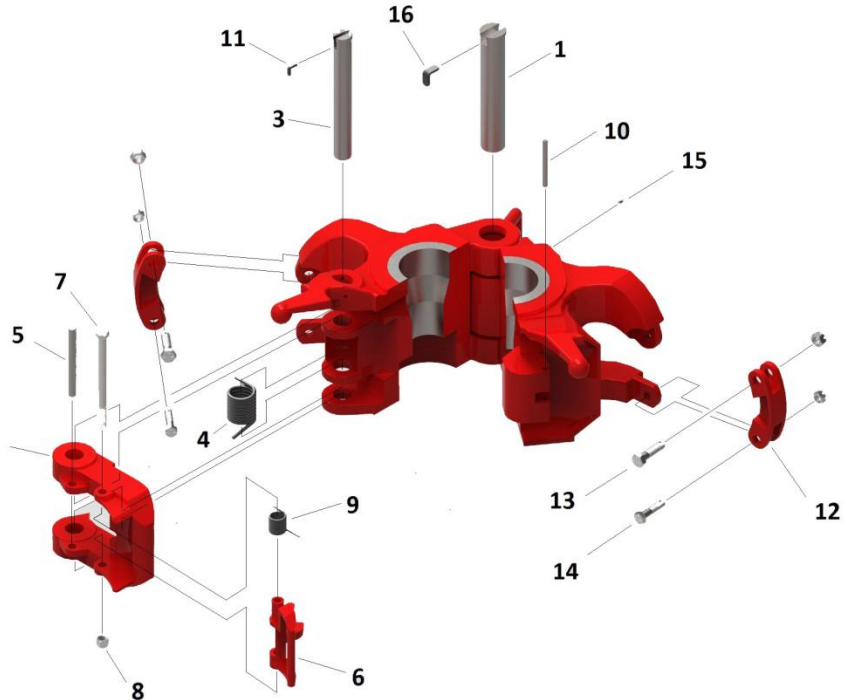
3-1/2"-5-1/2"

SIZE OF LINKS

2-1/4"-3-1/2"

WEIGHT

600.00



REPLACEMENT PARTS FOR MGG ELEVATORS

ITEM	QTY	DESCRIPTION
1	1	HINGE PIN
2	1	LATCH
3	1	LATCH PIN
4	1	LATCH SPRING
5	1	SPRING STOP PIN
6	1	LATCH LOCK
7	1	LATCH LOCK BOLT
8	1	LATCH LOCK BOLT NUT
9	1	LATCH LOCK SPRING
10	1	DOOR LUG PIN
11	1	LATCH PIN RETAINER
12	2	LINK BLOCK
13	2	UPPER LINK BLOCK BOLT, NUT, & COTTER
14	2	LOWER LINK BLOCK BOLT, NUT, & COTTER
15	1	GREASE FITTING
16	1	HINGE PIN RETAINER

GG (350 TON) BOTTLENECK ELEVATOR

RANGE

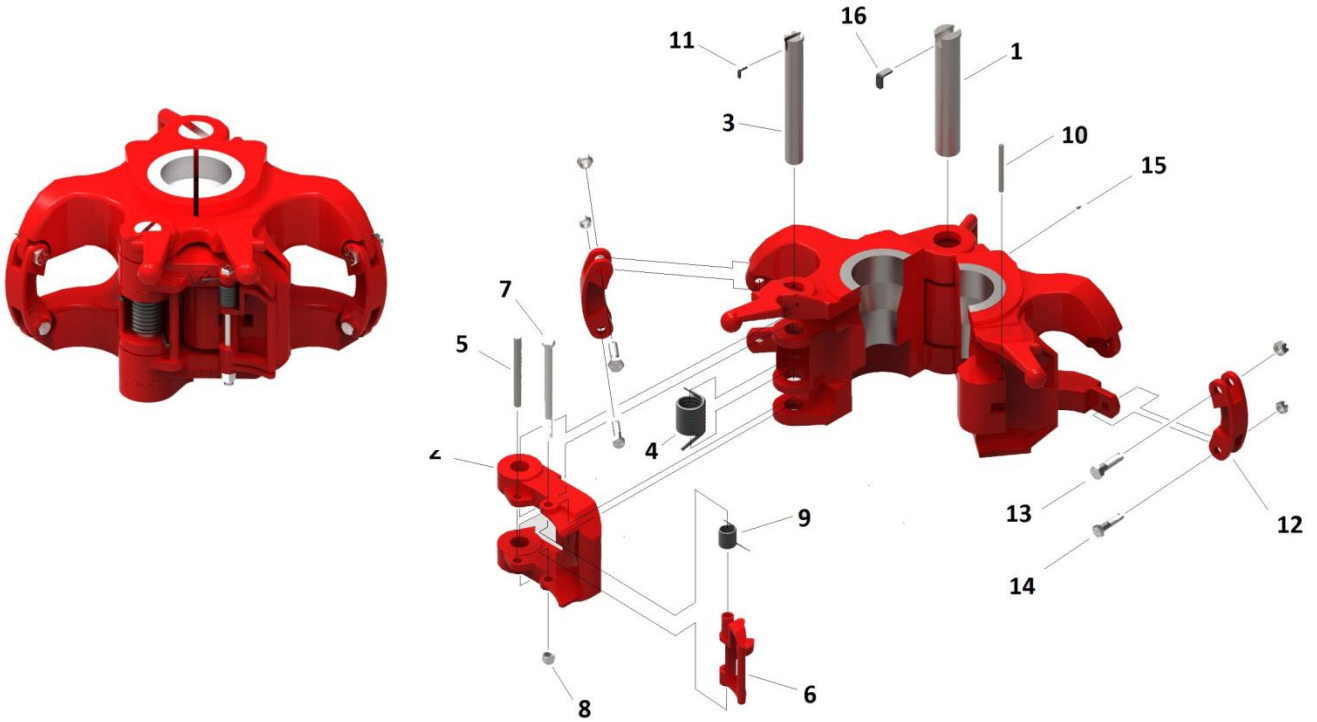
3-1/2"-5-1/2"

SIZE OF LINKS

2-1/4"-3-1/2"

WEIGHT

700.00

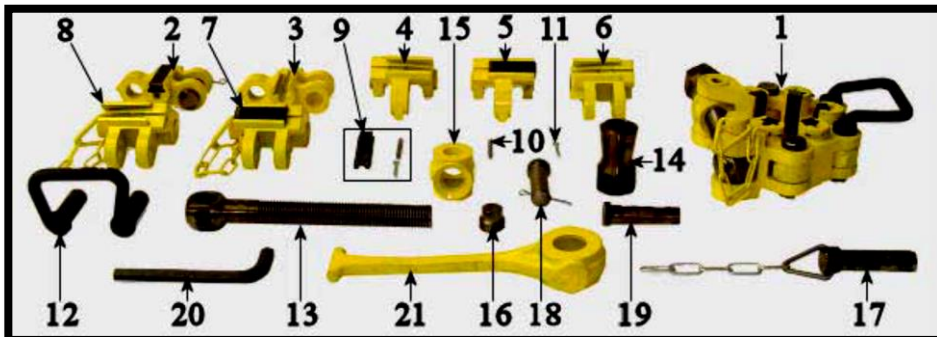


REPLACEMENT PARTS FOR GG ELEVATORS

ITEM	QTY	DESCRIPTION
1	1	HINGE PIN
2	1	LATCH
3	1	LATCH PIN
4	1	LATCH SPRING
5	1	SPRING STOP PIN
6	1	LATCH LOCK
7	1	LATCH LOCK BOLT
8	1	LATCH LOCK BOLT NUT
9	1	LATCH LOCK SPRING
10	1	DOOR LUG PIN
11	1	LATCH PIN RETAINER
12	2	LINK BLOCK
13	2	UPPER LINK BLOCK BOLT, NUT, & COTTER
14	2	LOWER LINK BLOCK BOLT, NUT, & COTTER
15	1	GREASE FITTING
16	1	HINGE PIN RETAINER



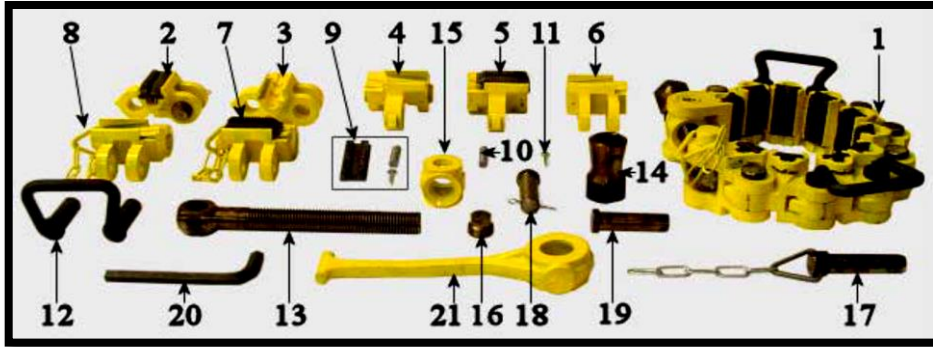
TYPE "T" SAFETY CLAMP



ITEM	PECO PN#	DESCRIPTION
-	T4	Safety Clamp Type "T"(4 link 1 1/8" to 2"
-	T4C	Safety Clamp Type "T"(4 link 1 1/8" to 2" (Complete)*
1	T5	Safety Clamp Type "T"(5 link 2 1/8" to 3 1/4"
-	T5C	Safety Clamp Type "T"(5 link 2 1/8" to 3 1/4" (Complete)*
-	T6	Safety Clamp Type "T"(6 link 3 1/4" to 4 1/2"
-	T6C	Safety Clamp Type "T"(6 link 3 1/4" to 4 1/2" (Complete)*
2	TILAC	Intermediate Link Assembly Type "T" (Complete)
3	TILB	Intermediate Link Type "T" (Body Only)
4	TPBEL	End Link (Pivot Block) Type "T" (Body Only)
5	TPBELC	End Link (Pivot Block) (Complete)
6	TSELB	End Link (Screw) Type "T" (Body Only)
7	TSELC	End Link (Screw) (Complete)
8	TSEL	End Link (Screw) (With Pin And Chain Welded To Body)
9	TISCK	Insert With Spring & Cotter Type "T"
10	TIS	Spring F/ Insert Type "T"
11	TICK	Cotter Pin F/ Insert Type "T"
12	THACK	Handle With Cotter Keys Type "T"
13	CTCS	Screw F/ Safety Clamp Type "C" & "T"
14	CTCN	Nut F/ Safety Clamp Type "C" & "T"
15	CTPB	Pivot Block F/ Safety Clamp Type "C" & "T"
16	CTPBS	Screw F/ Pivot Block Type "C" & "T"
17	CTPPC	Pin F/ End Link With Chain Type "C" & "T"
18	CTILP	Pin F/ Intermediate Link Type "C" & "T"
-	CTILPCK	Cotter Pin F/ Link Pin Type "C" & "T"
19	CTOHACK	Link Pin F/ Old Style Handle Type "C" & "T"
20	CTPBSAW	Allen Wrench F/ Pivot Block Screw "C" & "T"
21	CTNW	Wrench F/ Clamp Nut Type "C" & "T"
-	CTB	Box F/ Safety Clamp Type "C" & "T"

* Complete clamps come with a clamp box, nut wrench and pivot block wrench.

TYPE "C" SAFETY CLAMP



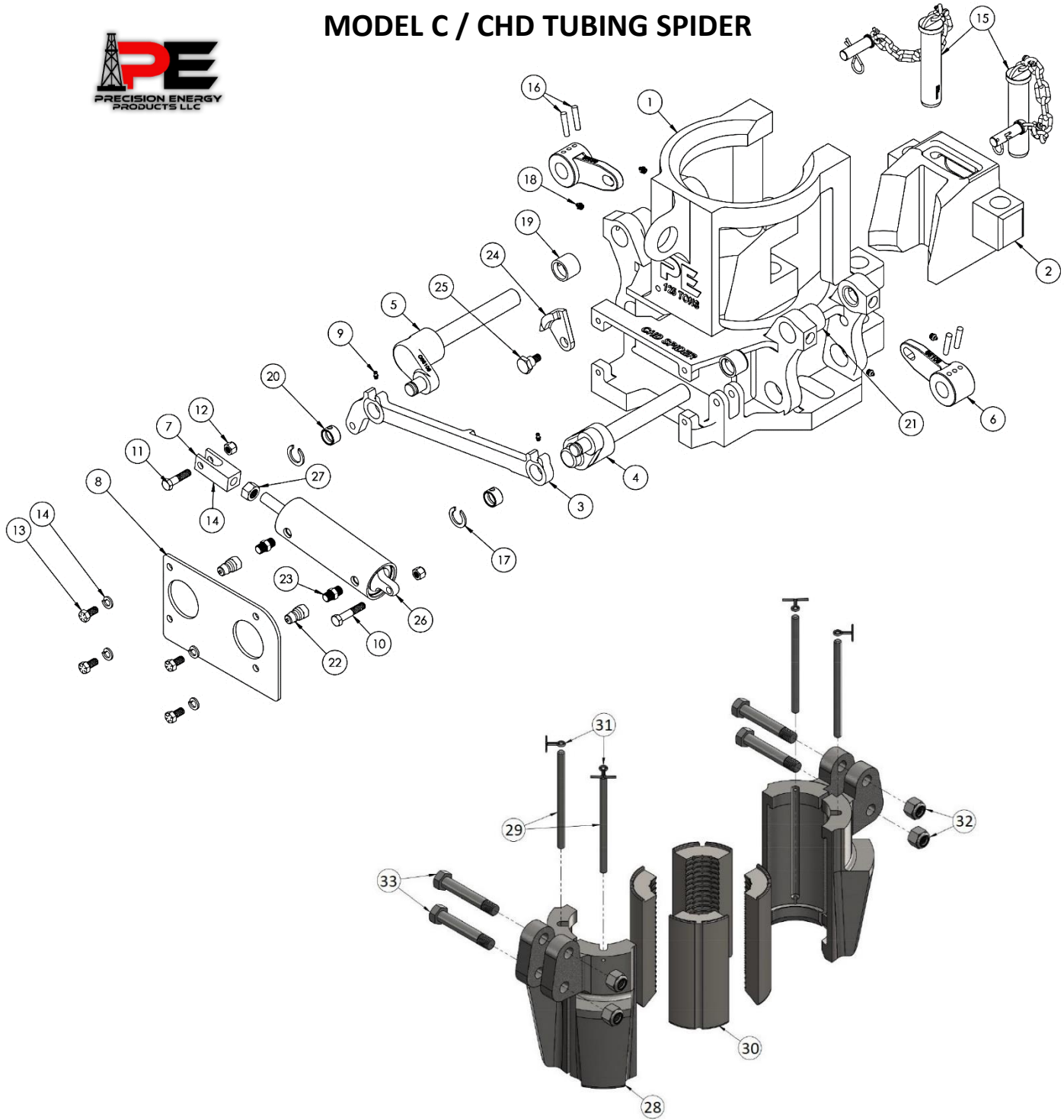
ITEM	PECO PN#	DESCRIPTION
2	CILAC	Link Assembly Type "C" (Complete)
3	CILB	Intermediate Link Type "C" (Body Only)
4	CPBEL	End Link (Pivot Block) Type "C" (Body Only)
5	CPBELC	End Link (Pivot Block) (Complete)
6	CSELB	End Link (Screw) Type "C" (Body Only)
7	CSELC	End Link (Screw) (Complete)
8	CSEL	End Link (Screw) (W/ Pin & Chain Welded To Body)
9	CISCK	Insert With Spring & Cotter Type "C"
10	CIS	Spring F/ Insert Type "C"
11	CICK	Cotter Pin F/ Insert Type "C"
12	CHACK	Handle With Cotter Keys Type "C"
13	CTCS	Screw F/ Safety Clamp Type "C" & "T"
14	CTCN	Nut F/ Safety Clamp Type "C" & "T"
15	CTPB	Pivot Block F/ Safety Clamp Type "C" & "T"
16	CTPBS	Screw F/ Pivot Block Type "C" & "T"
17	CTPPC	Pin F/ End Link With Chain Type "C" & "T"
18	CTILP	Pin F/ Intermediate Link Type "C" & "T"
-	CTILPCK	Cotter Pin F/ Link Pin Type "C" & "T"
19	CTOHACK	Link Pin F/ Old Style Handle Type "C" & "T"
20	CTPBSAW	Allen Wrench F/ Pivot Block Screw "C" & "T"
21	CTNW	Wrench F/ Clamp Nut Type "C" & "T"
-	CTB	Box F/ Safety Clamp Type "C" & "T"
-	CLC	Lifting Clevis
-	CLCBN	Clevis Bolt And Nut
-	CLCC	Lifting Clevis (Complete)

ITEM	PECO PN#	DESCRIPTION
-	C7	Safety Clamp Type "C" (7 Link) 3 3/4" - 4 5/8"
-	C7C	Safety Clamp Type "C" (7 Link) 3 3/4" - 4 5/8" (Complete)*
-	C8	Safety Clamp Type "C" (8 Link) 4 1/2" - 5 5/8"
-	C8C	Safety Clamp Type "C" (8 Link) 4 1/2" - 5 5/8" (Complete)*
-	C9	Safety Clamp Type "C" (9 Link) 5 1/2" - 6 5/8"
-	C9C	Safety Clamp Type "C" (9 Link) 5 1/2" - 6 5/8" (Complete)*
1	C10C	Safety Clamp Type "C" (10 Link) 6 1/2" - 7 5/8"
-	C10C	Safety Clamp Type "C" (10 Link) 6 1/2" - 7 5/8" (Complete)*
-	C11	Safety Clamp Type "C" (11 Link) 7 1/2" - 8 5/8"
-	C11C	Safety Clamp Type "C" (11 Link) 7 1/2" - 8 5/8" (Complete)*
-	C12	Safety Clamp Type "C" (12 Link) 8 1/2" - 9 5/8"
-	C12C	Safety Clamp Type "C" (12 Link) 8 1/2" - 9 5/8" (Complete)*
-	C13	Safety Clamp Type "C" (13 Link) 9 1/2" - 10 5/8"
-	C13C	Safety Clamp Type "C" (13 Link) 9 1/2" - 10 5/8" (Complete)*
-	C14	Safety Clamp Type "C" (14 Link) 10 1/2" - 11 5/8"
-	C14C	Safety Clamp Type "C" (14 Link) 10 1/2" - 11 5/8" (Complete)*
-	C15	Safety Clamp Type "C" (15 Link) 11 1/2" - 12 5/8"
-	C15C	Safety Clamp Type "C" (15 Link) 11 1/2" - 12 5/8" (Complete)*
-	C16	Safety Clamp Type "C" (16 Link) 12 1/2" - 13 5/8"
-	C16C	Safety Clamp Type "C" (16 Link) 12 1/2" - 13 5/8" (Complete)*
-	C17	Safety Clamp Type "C" (17 Link) 13 1/2" - 14 5/8"
-	C17C	Safety Clamp Type "C" (17 Link) 13 1/2" - 14 5/8" (Complete)*
-	C18	Safety Clamp Type "C" (18 Link) 14 1/2" - 15 5/8"
-	C18C	Safety Clamp Type "C" (18 Link) 14 1/2" - 15 5/8" (Complete)*

* Complete clamps come with a clamp box, nut wrench and pivot block wrench.



MODEL C / CHD TUBING SPIDER





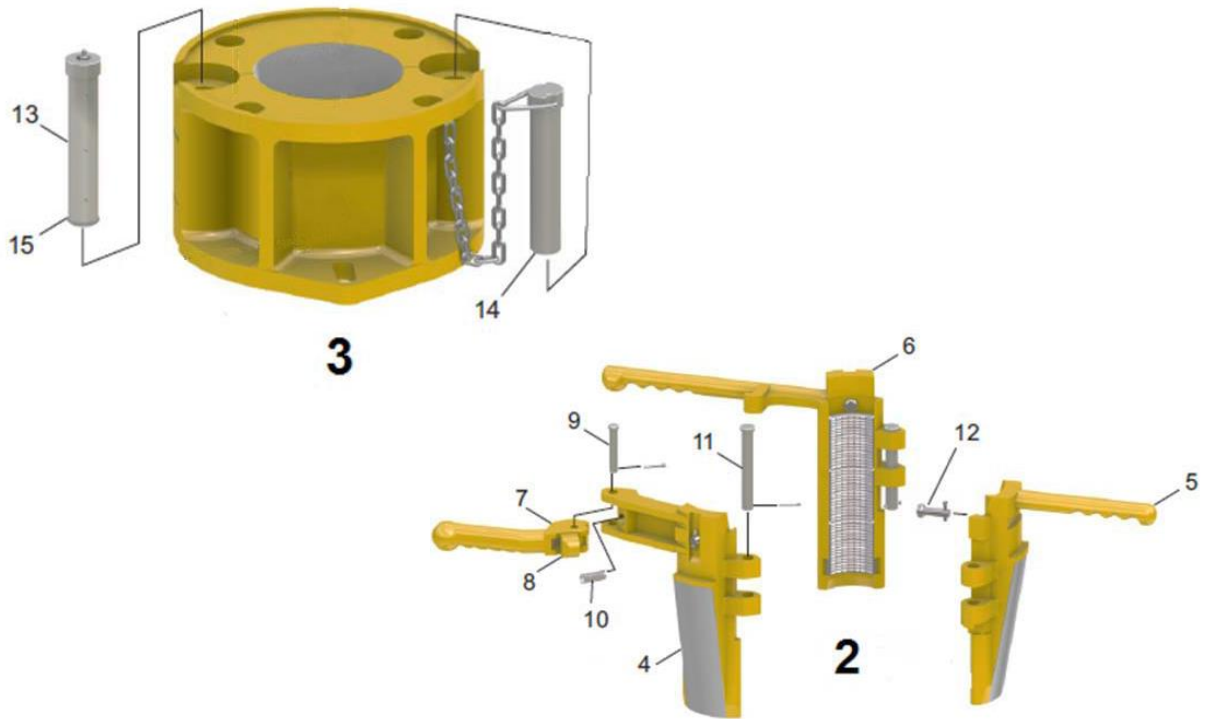
MODEL C / CHD TUBING SPIDER

ITEM	PN#	QTY	DESCRIPTION
1	TC101-HD	1	BODY
2	TC102-SF	1	GATE
3	TC103	1	LINK
4	TC104	1	LEFT HAND CRANK SHAFT
5	TC105	1	RIGHT HAND CRANK SHAFT
6	TC106	2	LIFT ARM
7	65107	1	YOKE
8	TC108	1	SAFETY GUARD
9	TB123	2	GREASE FITTING
10	TB110	1	HEX HEAD CAP SCREW
11	TB110	1	HEX HEAD CAP SCREW
12	TB112	2	HEX NUT
13	TB113	4	HEX HEAD CAP SCREW
14	-	4	LOCK WASHER
15	65114	2	DOOR PIN WITH CHAIN
16	TB119	4	LIFT ARM TAPER PIN
17	TB122	2	SHAFT RETAINING CLIP
18	TB123	4	GREASE FITTING
19	TC124	4	CRANK BUSHING
20	TB125	2	LINK BUSHING
21	TC126	2	SPACER
22	TB130	2	MALE DISCONNECT
23	-	2	PIPE NIPPLE
24	TB135	1	SAFETY LATCH
25	TB136	1	SAFETY BOLT
26	TB140-N	1	PNEUMATIC CYLINDER
-	TB140-R	1	CYLINDER REPAIR KIT
27	992107-15	1	JAM NUT
28	TC600-FCR-2	1	1.315" x 3 1/2" SLIP BODY SET
29	TC601	1	RETAINER PIN
30	4634-13	4	1.315" x 3 1/2" INSERT
30	4634-16	4	1.660" x 3 1/2" INSERT
30	4634-19	4	1.900" x 3 1/2" INSERT
30	4634-21	4	2 1/16" x 3 1/2" INSERT
30	4634-23 or TC651-3.500x2.375	4	2 3/8" x 3 1/2" INSERT
30	4634-27 or TC651-3.500x2.875	4	2 7/8" x 3 1/2" INSERT
30	4634-31	4	3 1/8" x 3 1/2" INSERT
30	4634-34 or TC650-3.500	4	3 1/2" x 3 1/2" INSERT
31	TC602-S	4	COTTER PIN
32	TB117	4	LOCKNUT
33	TB116	4	CAP SCREW

****INSERTS ARE AVAILABLE IN STANDARD TOOTH, STRAIGHT CUT, & FINE TOOTH****



3 1/2" (TS-100) Bowl & Slip



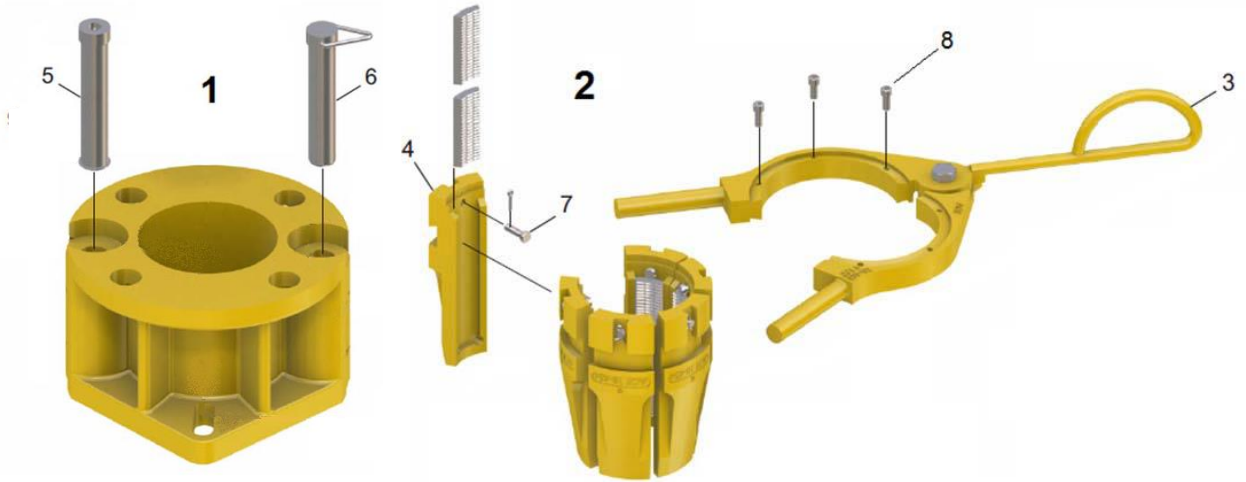
COMPLETE ASSY. & PARTS

ITEM #	PECO PN#	DESCRIPTION
2	TS100-3.5S	3 1/2" (TS-100) Ton Manual Rotary Slip Less Inserts
3	TS100-3.5B	3 1/2" (TS-100) Ton Bowl
4	-	Right Hand Segment
5	-	Center Segment
6	-	Left Hand Segment
7	-	Latch Handle
8	-	Latch
9	-	Latch Pin w/ Cotter
10	-	Latch Spring
11	-	Hing Pin f/ Slip w/ Cotter
12	-	Insert Retainer w/ Cotter
13	-	Hing Pin f/ Bowl
14	-	Lock Pin w/ Bail & Chain
15	-	Snap Ring

INSERTS

PECO PN#	DESCRIPTION
-	3/4" (1.050" X 3 1/2")
-	1" (1.315" X 3 1/2")
4134-16	1 1/4" (1.660" X 3 1/2")
4134-19	1 1/2" (1.900" X 3 1/2")
4134-20	2" X 3 1/2"
4134-21	2 1/16" X 3 1/2"
4134-23	2 3/8" X 3 1/2"
4134-27	2 7/8" X 3 1/2"
4134-30	3" X 3 1/2"
4134-31	3 1/8" X 3 1/2"
4134-32	3 1/4" X 3 1/2"
4134-33	3 3/8" X 3 1/2"
4134-34	3 1/2" X 3 1/2"

4 1/2" (TS-100) Bowl & Slip



COMPLETE ASSY. & PARTS

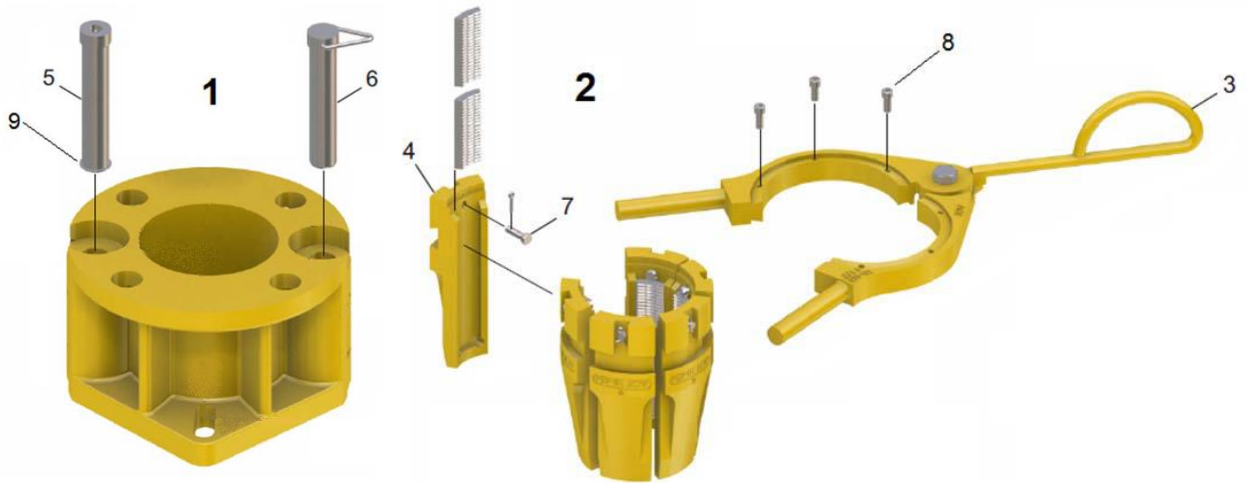
ITEM	PEO PN#	DESCRIPTION
1	TS100-4.5B	4 1/2" TS-100 Bowl
2	TS100-4.5S	4 1/2" TS-100 Manual Rotary Slip
3	-	Slip Handle Assembly
4	-	Slip Segments
5	-	Hinge Pin
6	-	Removable Hinge Pin w/ Chain
7	-	Insert Retainer Pin
8	-	Segment Retainer Pin

INSERTS

PEO PN#	DESCRIPTION
4144-16	1 1/4" (1.660" X 4 1/2")
4144-19	1 1/2" (1.900" X 4 1/2")
4144-20	2" X 4 1/2" (Full Face)
4144-21	2 1/16" X 4 1/2"
4144-23	2 3/8" X 4 1/2"
4144-27	2 7/8" X 4 1/2"
4144-30	3" X 4 1/2" (Full Face)
4144-31	3 1/8" X 4 1/2" (Full Face)
4144-32	3 1/4" X 4 1/2" (Full Face)
4144-34	3 1/2" X 4 1/2"
4144-36	3 3/4" X 4 1/2" (Full Face)
4144-40	4" X 4 1/2"
4144-41	4 1/8" X 4 1/2" (Full Face)
4144-42	4 1/4" X 4 1/2" (Full Face)
4144-43	4 3/8" X 4 1/2" (Full Face)
4144-44	4 1/2" X 4 1/2"



5 1/2" (TS-100) Bowl & Slip



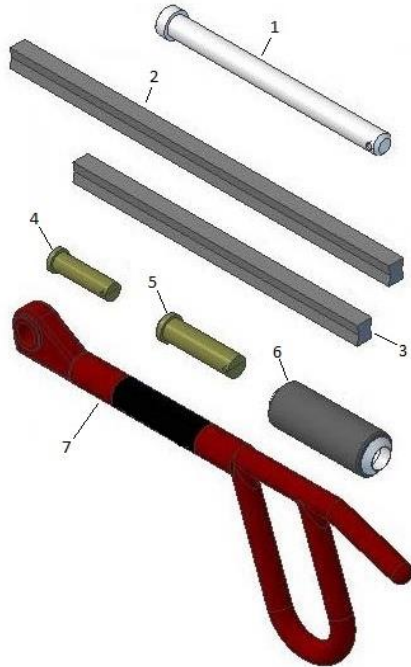
COMPLETEE ASSY. & PARTS

ITEM	PEO PN#	DESCRIPTION
1	TS100-5.5B	5 1/2" TS-100 Bowl
2	T100-5.5S	5 1/2" TS-100 Manual Rotary Slip
3	-	Slip Handle Assembly
4	-	Slip Segments
5	-	Hinge Pin
6	-	Removable Hinge Pin w/ Chain
7	-	Insert Retainer Pin
8	-	Segment Retainer Pin
9	-	Hinge Pin Retainer

INSERTS

PEO PN#	DESCRIPTION
4154-27	2 7/8" X 5 1/2"
4154-30	3" X 5 1/2" (Full Face)
4154-31	3 1/8" X 5 1/2" (Full Face)
4154-32	3 1/4" X 5 1/2" (Full Face)
4154-34	3 1/2" X 5 1/2"
4154-36	3 3/4" X 5 1/2" (Full Face)
4154-40	4" X 5 1/2"
4154-41	4 1/8" X 5 1/2" (Full Face)
4154-42	4 1/4" X 5 1/2" (Full Face)
4154-43	4 3/8" X 5 1/2" (Full Face)
4154-44	4 1/2" X 5 1/2"
4154-46	4 3/4" X 5 1/2" (Full Face)
4154-50	5" X 5 1/2"
4154-54	5 1/2" X 5 1/2"

“DU” Style Drill Pipe Slip



COMPLETE ASSY. & PARTS

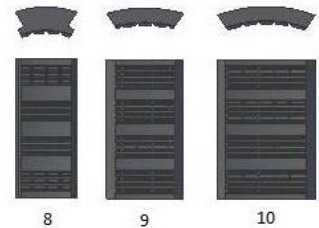
ITEM#	PECO PN#	DESCRIPTION
-	SLIPDUL	DU Long Drill Pipe Slip (Baash Ross)
-	SLIPDUR	DU Regular Drill Pipe Slip (Baash Ross)
1	SLHIP2	Hinge Pin (Long and Regular)
2	SLLK2	Long Liner Key
3	SLLK1	Regular Liner Key
4	SLHAP2F	Front Handle Pin (Long and Regular)
5	SLHAP2R	Rear Handle Pin (Long and Regular)
6	-	Hinge Spring Assembly
7	SFH2F	Front Safety Flex Handle (Long and Regular)
7	SFH2R	Rear Safety Flex Handle (Long and Regular)
-	-	Hinge Spring
-	-	Hinge Spring Bushing

4 1/2" BODY INSERTS

ITEM #	PECO PN#	DESCRIPTION
8	4144-16	1 1/4" (1.660")
8	4144-19	1 1/2" (1.900")
8	4144-20	2" (Full Face)
8	4144-21	2 1/16"
8	4144-23	2 3/8"
8	4144-27	2 7/8"
8	4144-30	3" (Full Face)
8	4144-31	3 1/8" (Full Face)
8	4144-32	3 1/4" (Full Face)
8	4144-34	3 1/2"
8	4144-36	3 3/4" (Full Face)
8	4144-40	4"
8	4144-41	4 1/8" (Full Face)
8	4144-42	4 1/4" (Full Face)
8	4144-43	4 3/8" (Full Face)
8	4144-44	4 1/2"

5 1/2" BODY INSERTS

ITEM#	PECO PN#	DESCRIPTION
9	4154-27	2 7/8"
9	4154-30	3" (Full Face)
9	4154-31	3 1/8" (Full Face)
9	4154-32	3 1/4" (Full Face)
9	4154-34	3 1/2"
9	4154-36	3 3/4" (Full Face)
9	4154-40	4"
9	4154-41	4 1/8" (Full Face)
9	4154-42	4 1/4" (Full Face)
9	4154-43	4 3/8" (Full Face)
9	4154-44	4 1/2"
9	4154-46	4 3/4" (Full Face)
9	4154-50	5"
9	4154-54	5 1/2"

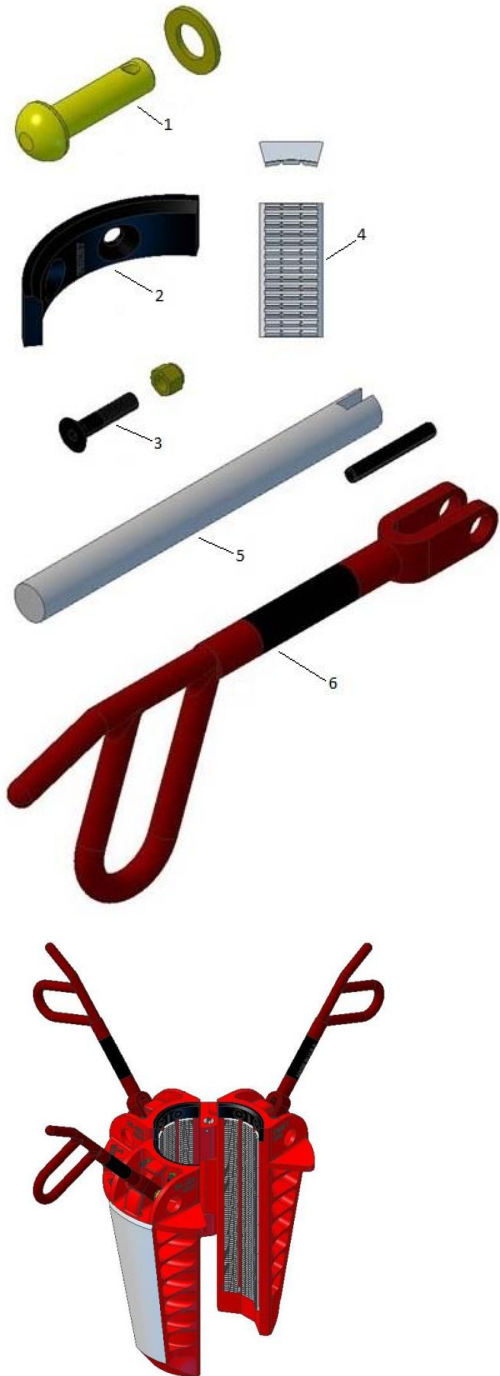


7" BODY INSERTS

ITEM#	PECO PN#	DESCRIPTION
10	-	4 1/2"
10	-	5"
10	-	5 1/2"
10	-	5 7/8"
10	-	6"
10	-	6 5/8"
10	-	7"



VARCO "SD" Style Drill Pipe Slip



COMPLETE ASSEMBLY

PECO	
PN#	Varco Style Type SD Drill Pipe Slip
SLIPSD	SDS (3 1/2" or 4 1/2")
	SDML (3 1/2" , 4 1/2" , 5" , or 5 1/2"
	SDXL (4 1/2" , 5" , 5 1/2" , or 7")

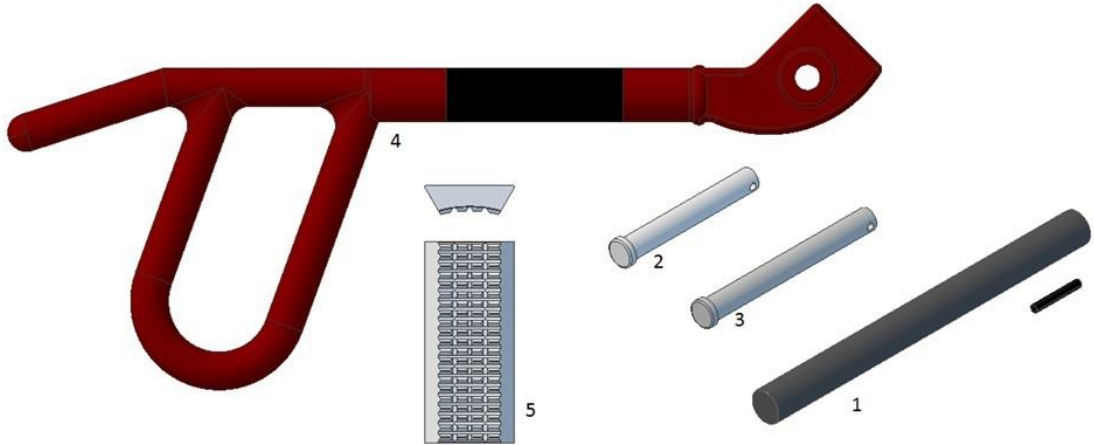
PARTS

ITEM #	PECO PN#	DESCRIPTION
1	SLHAP1	Handle Pin
2	-	Insert Retainer Ring (3 1/2", 4 1/2", 5", 5 1/2", 7")
3	-	Insert Retainer Screw & Nut
5	-	Hinge Pin w/ Cotter
6	SFH1	Safety Flex Handle
6	SFH1HD	*EXTREME SERVICE* Safety Flex Handle

INSERTS

ITEM #	PECO PN#	DESCRIPTION
4	7123-34	2 3/8" x 3 1/2" (SDS,SDML)
4	7127-34	2 7/8" x 3 1/2" (SDS,SDML)
4	7134-34	3 1/2" x 3 1/2" (SDS,SDML)
4	7134-44	3 1/2" x 4 1/2" (SDS,SDML, SDXL)
4	7140-44	4" x 4 1/2" (SDS,SDML, SDXL)
4	7144-44	4 1/2" x 4 1/2" (SDS,SDML, SDXL)
4	7140-50	4" x 5" (SDML, SDXL)
4	7144-50	4 1/2" x 5" (SDML, SDXL)
4	7150-50	5" x 5" (SDML, SDXL)
4	7144-55	4 1/2" x 5 1/2" (SDML, SDXL)
4	7150-55	5" x 5 1/2" (SDML, SDXL)
4	7155-55	5 1/2" x 5 1/2" (SDML, SDXL)
4	7165-70	6 5/8" x 7" (SDXL)
4	7170-70	7" x 7" (SDXL)

Woolley "B" Style Drill Pipe Slip



COMPLETE ASSEMBLY & PARTS

ITEM#	PECO PN#	DESCRIPTION
-	SLIPWBL	Wooley Style Type B Long Drill Pipe Slip
-	SLIPWBS	Wooley Style Type B Short Drill Pipe Slip
4	SFH4	Safety Flex Handle
2	SLHAP4	Handle Pin
1	SLHIP4	Hinge Pin
3	SLIRP4	Insert Retainer Pin

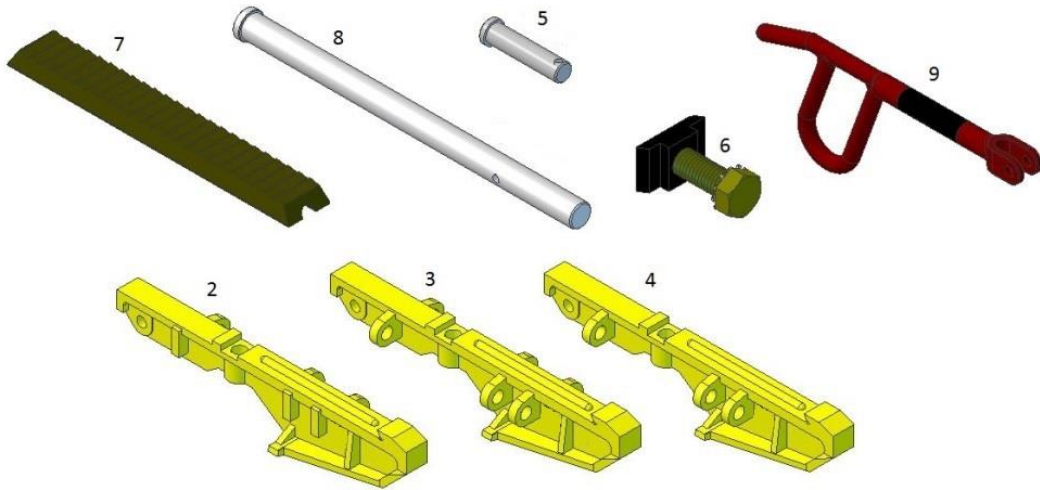
INSERTS

ITEM#	PECO PN#	DESCRIPTION
5	4044-21	2 1/16" X 4 1/2"
5	4044-23	2 3/8" X 4 1/2"
5	4044-27	2 7/8" X 4 1/2"
5	4044-34	3 1/2" X 4 1/2"
5	4044-40	4" X 4 1/2"
5	4044-44	4 1/2" X 4 1/2"
5	4054-34	3 1/2" X 5 1/2"
5	4054-40	4" X 5 1/2"
5	4054-44	4 1/2" X 5 1/2"
5	4054-50	5" X 5 1/2"
5	4054-54	5 1/2" X 5 1/2"
5	4085-85	8 5/8" X 8 5/8"





"C-1" Style Drill Collar Slip

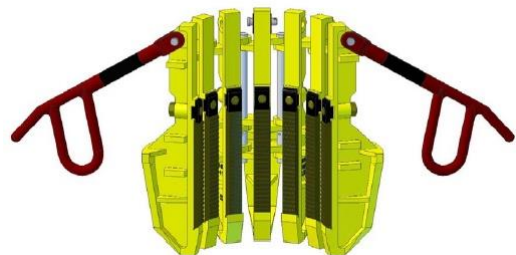


COMPLETE ASSY. & PARTS

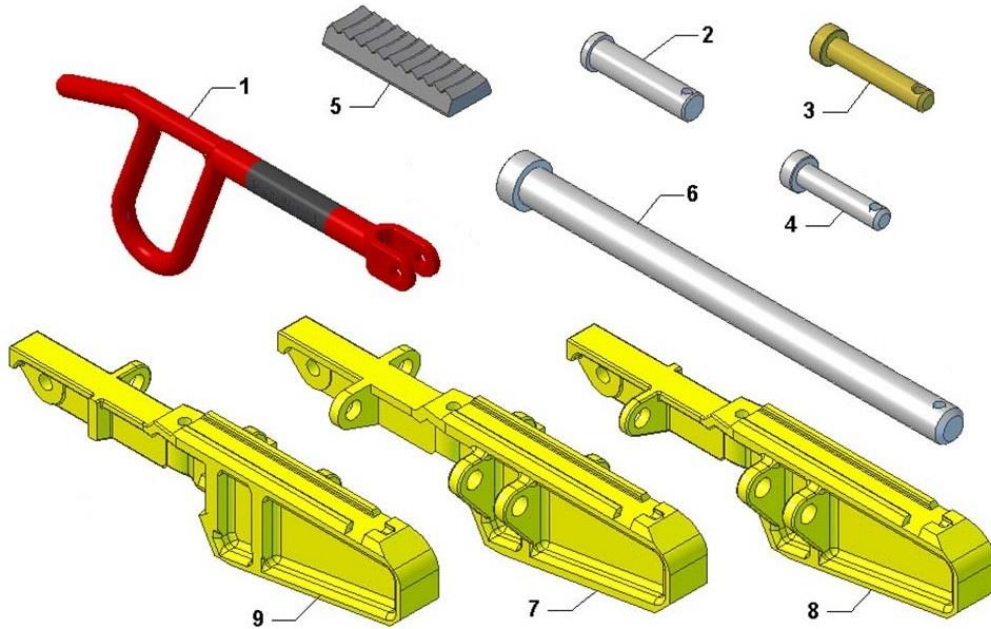
ITEM#	PECO PN#	DESCRIPTION
-	SLIPC134	3" to 4-1/2" Slip (8 Segment)
-	SLIPC142	4 1/4" to 5 3/4" Slip (10 Segment)
-	SLIPC154	5 1/2" to 7" Slip (12 Segment)
-	SLIPC166	6 3/4" to 8 1/4" Slip (12 Segment)
-	SLIPC184	8 1/2" to 10" Slip (10 Segment)
-	-	10" to 11 1/4" Slip (17 Segment)
-	-	11 1/4" to 12 3/4" Slip (19 Segment)
2	-	Right Hand Segment
3	-	Intermediate Segment
4	-	Left Hand Segment
5	SLHAP3C	Handle Pin
6	SLLK3C	Liner Keeper Assembly
8	SLHIP3C	Hinge Pin
8	SLHIP3C8.5	Hinge Pin (8 1/2" to 10" Only)
9	SFH3	Safety Flex Handle

INSERTS

ITEM#	PECO PN#	DESCRIPTION
7	-	3" x 4 1/2"
7	-	3 3/4" x 5 1/4"
7	-	4 1/4" x 5 3/4"
7	4200-54	5 1/2" x 7"



WOOLLEY "A" Style Drill Collar Slip



COMPLETE ASSEMBLY

PECO PN#	Wooley Style Type A Drill Collar Slip
SLIPWA	- 3" to 4 1/4" (7 Segment)
	- 3 1/4" to 4 3/4" (8 Segment)
	- 4 1/2" to 5 3/4" (9 Segment)
	- 5 1/2" to 7" (10 Segment)
	- 6 3/4" to 8 1/4" (11 Segment)
	- 8 1/4" to 10" (12 Segment)

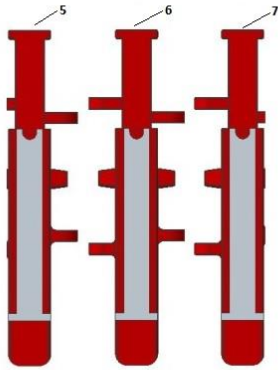
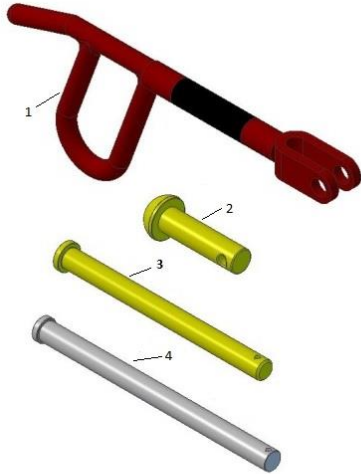
PARTS & INSERT

ITEM#	PECO PN#	DESCRIPTION
1	SFH3	Safety Flex Handle
2	SLHAP3A	Handle Pin
3	SLIRP3A3	Insert Retainer Pin (3" to 8 1/4")
4	SLIRP3A8.25	Insert Retainer Pin (8 1/4" to 10")
5	4030-10	Insert
6	SLHIP3A	Hinge Pin
7	-	Intermediate Segment
8	-	Right Hand Segment
9	-	Left Hand Segment





VARCO “DCS” Style Drill Collar Slip



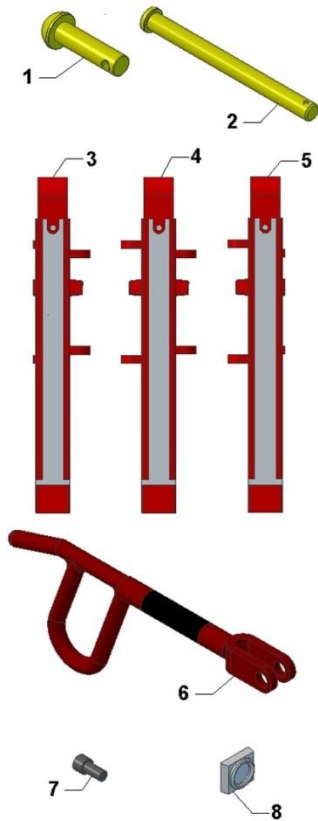
COMPLETEE ASSEMBLY

PECO PN#	Varco Style Type DCS Drill Collar Rotary Slip
SLIPDC	3" - 4" (DCS-S)
	4" - 4 7/8" (DCS-S)
	4 1/2" - 6" (DCS-R)
	5 1/2" - 7" (DCS-R, DCS-L)
	6 3/4" - 8 1/4" (DCS-L)
	8" - 9 1/2" (DCS-L)
	8 1/2" - 10" (DCS-L)
	9 1/4" - 11 1/4" (DCS-L)
	11" - 12 3/4" (DCS-L)
	12" - 14" (DCS-L)

PARTS

ITEM#	PECO PN#	DESCRIPTION
1	SFH1	Safety Flex Handle
1	SFH1HD	*EXTREME SERVICE* Safety Flex Handle
2	SLHAP1	Handle Pin
3	-	Hinge Pin (DCS-S , DCS-R)
4	-	Hinge Pin (DCS-L)
5	-	Left Segment
6	-	Intermediate Segment
7	-	Right Segment
8	-	Button Retainer Screw
9	-	Button Inserts

VARCO "CMS" Style Casing Slip

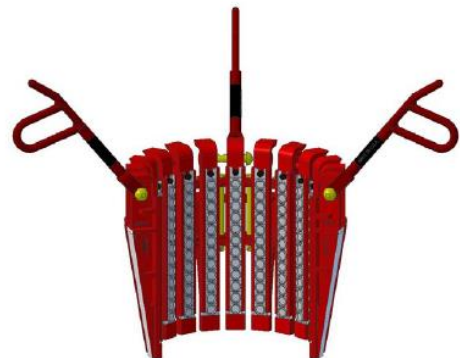


COMPLETE ASSEMBLY

PECO PN#	Varco Style Type CMS Casing Rotary Slip
SLIPCMS	6 5/8" (CMS-XL)
	7" (CMS-XL)
	7 5/8" (CMS-XL)
	8 5/8" (CMS-XL)
	9 5/8" (CMS & CMS-XL)
	10 3/4" (CMS & CMS-XL)
	11 3/4" (CMS & CMS-XL)
	13 3/8" (CMS & CMS-XL)
	16" (CMS & CMS-XL)
	18 5/8" (CMS & CMS-XL)
	20" (CMS & CMS-XL)
	24" (CMS & CMS-XL)
	26" (CMS & CMS-XL)
30" (CMS & CMS-XL)	

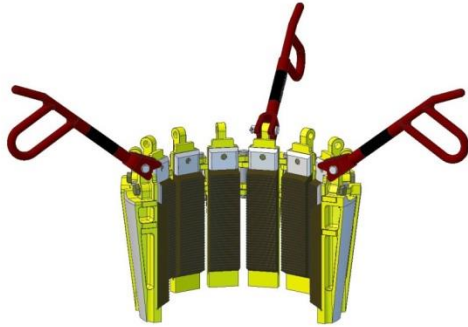
PARTS

ITEM#	PECO PN#	DESCRIPTION
1	SLHAP1	Handle Pin
2	-	Hinge Pin w/ Cotter
3	-	Left Hand Segment
4	-	Intermediate Segment
5	-	Right Hand Segment
6	SFH1	Safety Flex Handle
6	SFH1HD	*EXTREME SERVICE* Safety Flex Handle
7	-	Button Retainer Screw
8	-	Button Inserts





“UC” Style Casing Slip

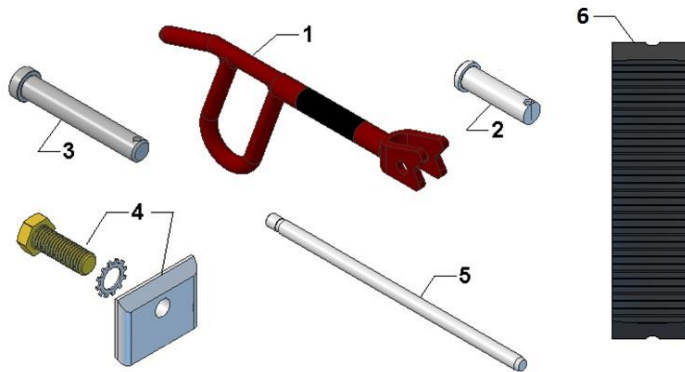


COMPLETEE ASSEMBLY

PECO PN#	Baash Ross Style Type UC Casing Slip
SLIPUC	8 5/8"
	10 3/4"
	13 3/8"
	16"
	20"
	24"
	26"
	30"
	36"
	42"

INSERTS

SIZE
7" X 8 5/8"
7 5/8" X 8 5/8"
8 5/8" X 8 5/8"
9 5/8" X 10 3/4"
10 3/4" X 10 3/4"
11 3/4" X 13 3/8"
12 3/4" X 13 3/8"
13 3/8" X 13 3/8"
16" x 16"
18 3/8" X 20"
20" X 20"
22 1/2" x 24"
24" x 24"
26" X 42"



PARTS

ITEM #	PECO PN#	DESCRIPTION
1	SFH5	Safety Flex Handle
2	SLHAP5	Handle Pin
3	-	Hinge Pin
4	-	Keeper Assembly
5	-	Insert Retainer Pin
6	SEE CHART	Inserts

SAFETY FLEX SLIP HANDLES



SFH1



SFH3



SFH2F



SFH4



SFH2R



SFH5

HANDLES

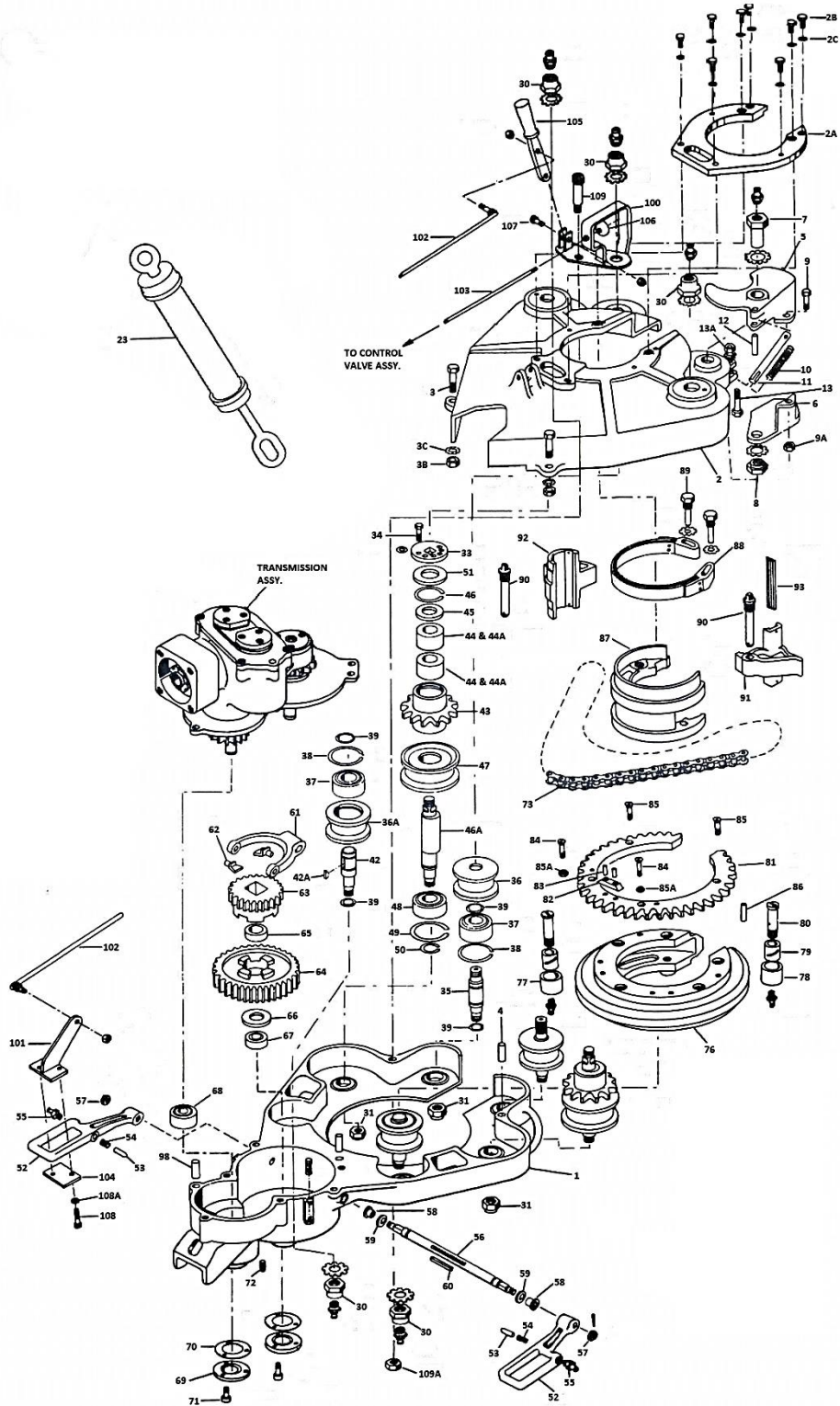
PECO PN#	DESCRIPTION
SFH1	*EXTREME SERVICE* Varco Type 'DC', Type 'SD', Type 'CMS-XL'
SFH2F	Front Baash Ross 'DU'
SFH2R	Rear Baash Ross Type 'DU'
SFH3	Baash Ross Type 'C-1' & Woolley Type 'A'
SFH4	Woolley Type 'B'
SFH5	Baash Ross Type 'UC'

HANDLE PINS

PECO PN#	DESCRIPTION
SLHAP1	Varco Type 'DC', Type 'SD', Type 'CMS-XL'
SLHAP2F	Front Baash Ross 'DU'
SLHAP2R	Rear Baash Ross Type 'DU'
SLHAP3A	Woolley Type 'A'
SLHAP3C	Baash Ross Type 'C-1'
SLHAP4	Woolley Type 'B'
SLHAP5	Baash Ross Type 'UC'



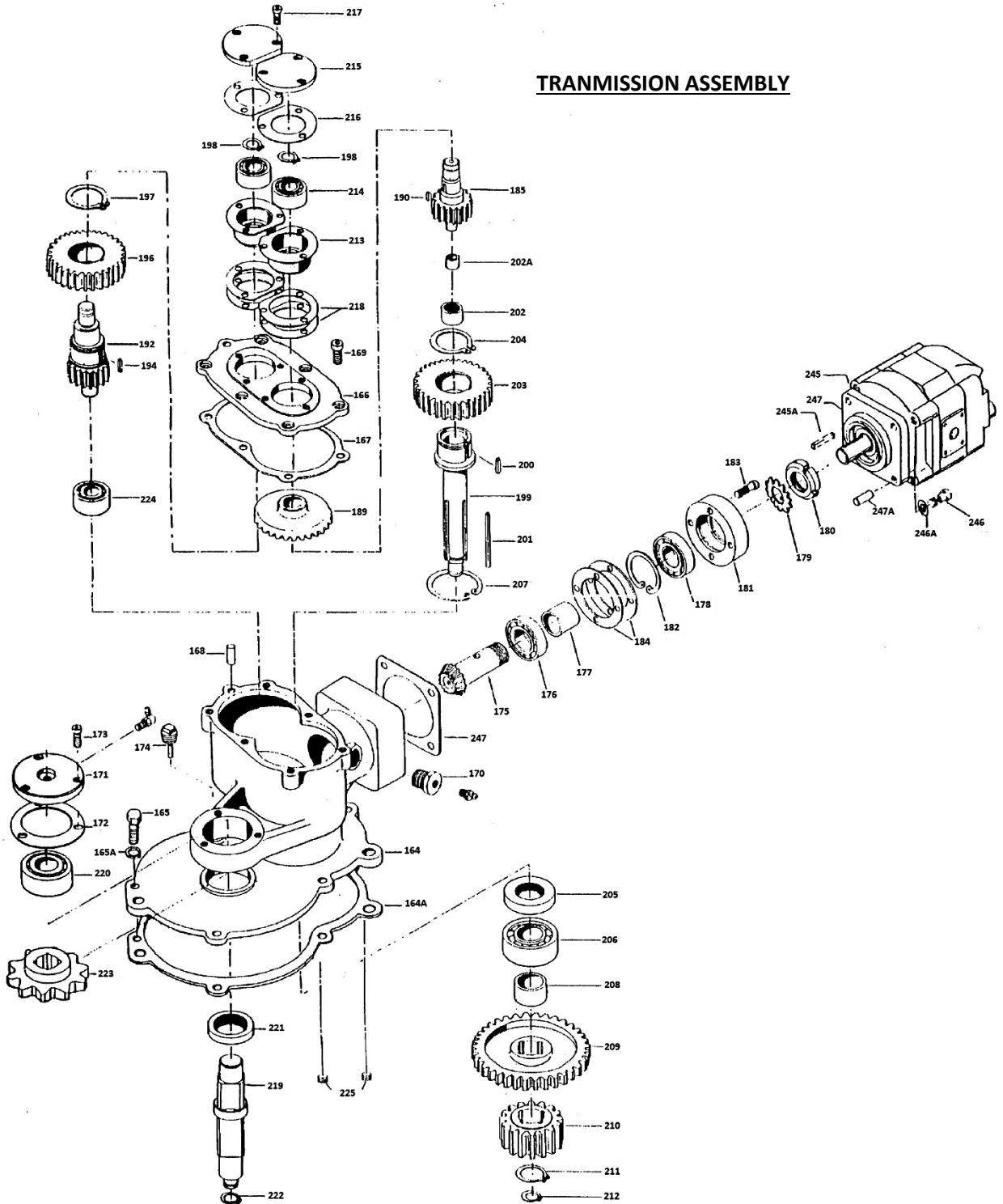
BJ STYLE "RS" HYDRAULIC TUBING TONG





BJ STYLE "RS" HYDRAULIC TUBING TONG

TRANSMISSION ASSEMBLY





BJ STYLE "RS" HYDRAULIC TUBING TONG

ITEM	QTY	PN#	DESCRIPTION
1	1	34893	FRAME WELDMENT
2	1	34898	FRAME COVER
2A	1	35129	BRAKE BAND COVER
2B	10	992003-06	CAPSCREW
2C	10	992051-06	LOCK WASHER
3	2	-	5/8" X 2" BOLT
3B	2	-	5/8" NUT
3C	2	-	LOCK WASHER
4	1	992082-72	DOWEL PIN
5	1	30871	GUARD TOP HALF
6	1	30872	GUARD BOT. HALF
7	1	15495-1	TOP GUARD NUT
8	1	15495-2	BOT. GUARD NUT
9	1	992005-06	CAPSCREW
9A	1	992089-09	FLEXLOC NUT
10	1	16448	GUARD SPRING
11	1	30874	GUARD SPRING HOUSING
12	1	992049-89	GUARD SPRING HOUSING PIN
13	1	992003-10	GUARD SPRING BOLT
13A	1	992089-05	NUT
14	2	16352	HANGER
14A		16352-1	HANGER RIGHT HAND
15	1	45019	BALANCING SCREW
16	1	34729	ROCKER ARM
16A	1	34731	SPACER
17	1	16497	LOCKING SPRING
18	1	992586-40	3/4" X 8" BOLT
18A	1	992089-15	3/4" NUT
19	2	992585-71	5/8" X 3 1/2" BOLT
19A	2	992089-13	5/8" NUT
20	2	992005-06	SET SCREW
21	2	992116-09	JAM NUT
22	2	992049-156	HANGER PIN
22A	4	992012-44	COTTER PIN
23	1	45223	HANGER ASSY.
30	5	15495	ROLLER SHAFT ALEMITE NUT
31	3	992093-12	ELASTIC STOP NUT, 3/4"
33	2	16480	IDLER SPROCKET ADJ. PLATE
34	2	992003-03	IDLER SPROCKET ADJ. PLATE CAP SCREW
35	2	15494-5	FRONT IDLER ROLLER SHAFT
36	2	30870	FRONT IDLER ROLLER
36A	2	15491	BACK IDLER ROLLER
37	4	979103-4	IDLER ROLLER BEARING
38	4	992253-281	BEARING RETAINER RING
39	8	942685-118	ASSEMBLY RETAINER RING
-	-	979103-4B	LRG. BEARING SPACER
-	-	979103-4C	SMALL BEARING SPACER
42	2	30360-2	BACK IDLER ROLLER SHAFT
42A	2	992310-606	KEY
43	2	15493	IDLER SPROCKET
44	4	903317-17	OUTER IDLER SPROCKET
44A	4	942394-42	INNER IDLER SPROCKET BEARING
45	2	15498	BEARING RETAINER WASHER
46	2	992253-231	BEARING RETAINER RING
46A	2	15496-5	IDLER SPROCKET SHAFT ASSY.
47	2	15492	IDLER SPROCKET ROLLER

ITEM	QTY	PN#	DESCRIPTION
48	2	979103-4	ROLLER BEARING ASSY
49	2	992253-281	ROLLER BEARING RET. RING
50	2	942685-118	IDLER SPROCKET ROLLER ASSY. RET. RING
51	2	15500	IDLER SPROCKET SPACER
52	2	15533	GEAR SHIFT HANDLE
53	2	15516	HANDLE LOCK PIN
54	2	16977	LOCK PIN SPRING
55	2	992073-01	GREASE FITTING
56	1	15534	GEAR SHIFT SHAFT
57	2	992116-09	SHAFT NUT, 5/8"
58	2	23056	SHAFT BUSHING
59	2	992154-113	SHAFT O-RING
60	1	939995-812	SHAFT KEY
61	1	15501	GEAR SHIFT ACTUATOR YOKE
62	2	15502	GEAR SHIFT FINGER
63	1	15512	HIGH SPEED DRIVEN GEAR
64	1	15511	LOW SPEED DRIVEN GEAR
65	1	15537	LOW SPEED DRIVEN GEAR BUSHING
66	1	15507	GEAR THRUST WASHER
67	1	979054-304	SLIDING GEAR SHAFT LOWER BEARING
68	1	979102-5304	DRIVE SHAFT LOWER BEARING
69	2	15505	BOT. GEAR BOX BEARING PLATE
70	2	16979	BEARING PLATE GASKET
71	6	992015-02	CAPSCREW 1/4" X 1/2"
72	1	992488-04	DRAIN PLUG
73	1	947915-11	ROLLER CHAIN WITH CONNECTING LINK & OFFSET LINK 1 1/4" X 82 1/2"
76	1	17906	OUTER RING
77	3	17916	OUTER RING LARGE ROLLER
78	2	17917	OUTER RING SMALL ROLLER
79	5	17918	ROLLER BUSHING
80	5	17919	ROLLER PIN
81	1	17921	OUTER RING SPROCKET
82	1	15519	POSITIONING VALVE CAM
83	2	439723-39	VALVE CAM RIVET
84	4	941237-75	OUTER RING SPROCKET BOLT, 1/2" X 1 1/4"
85	2	941237-108	OUTER RING SPROCKET BOLT, 1/2" X 2"
85A	2	941442-5	LOCK NUT
86	2	943631-92	5/8" X 3" DOWEL PIN
87	1	45287	INNER RING
88	1	15527-1P	BRAKE BAND
89	2	15528P	BRAKE BAND PIN
90	2	45290P	JAW & BUSHING PIN
98	2	-	GEAR BOX DOWEL PIN, 5/8" X 2"
100	1	31313-200	CONTROL BRACKET WELDMENT
101	1	28019	SHIFT BRACKET WELDMENT
102	1	28024-200	THROTTLE ROD WELDMENT
103	1	31314	SHIFTER ROD
104	1	28020	CLAMP PLATE
105	1	31317	THROTTLE HANDLE
106	1	28021	SHIFTER LEVER
107	-	992217-05	3/8" SHOULDER SCREW
108	2	992003-07	CAPSCREW, 3/8" X 1 1/2"
108A	2	992051-06	LOCKWASHER
109	1	992220-09	SHOULDER SCREW, 3/4" X 3 1/2"
109A	1	992089-13	NUT



BJ STYLE "RS" HYDRAULIC TUBING TONG

JAW & BUSHING ASSY. / DIES

ITEM	QTY	PN#	DESCRIPTION
91	1	27477-1P	2 3/8" JAW
92	1	27645-1P	2 3/8" BUSHING
93	3	27494-1P	2 3/8" DIE
-	-	46-2310	2 3/8" x 1" REDUCING DIE
-	-	46-2312	2 3/8" x 1 1/4" REDUCING DIE
-	-	46-2314	2 3/8" x 1 1/2" REDUCING DIE
-	-	46-2321	2 3/8" x 2 1/16" REDUCING DIE
91	1	27481-1P	2 7/8" JAW
92	1	27660-1P	2 7/8" BUSHING
93	3	27498-1P	2 7/8" DIE
-	-	46-2310	2 7/8" x 1" REDUCING DIE
-	-	46-2312	2 7/8" x 1 1/4" REDUCING DIE
-	-	46-2314	2 7/8" x 1 1/2" REDUCING DIE
-	-	46-2321	2 7/8" x 2 1/16" REDUCING DIE
-	-	46-2723	2 7/8" x 2 3/8" REDUCING DIE
91	1	17912-1P	3 1/2" JAW
92	1	17913-1P	3 1/2" BUSHING
93	3	6473P	3 1/2" DIE
91	1	23623-1P	4" JAW
92	1	23624-1P	4" BUSHING
93	3	6473P	4" DIE
91	1	24552-1P	4 1/2" JAW
92	1	24553-1P	4 1/2" BUSHING
93	3	24554P	4 1/2" DIE

TRANMISSION ASSEMBLY PARTS

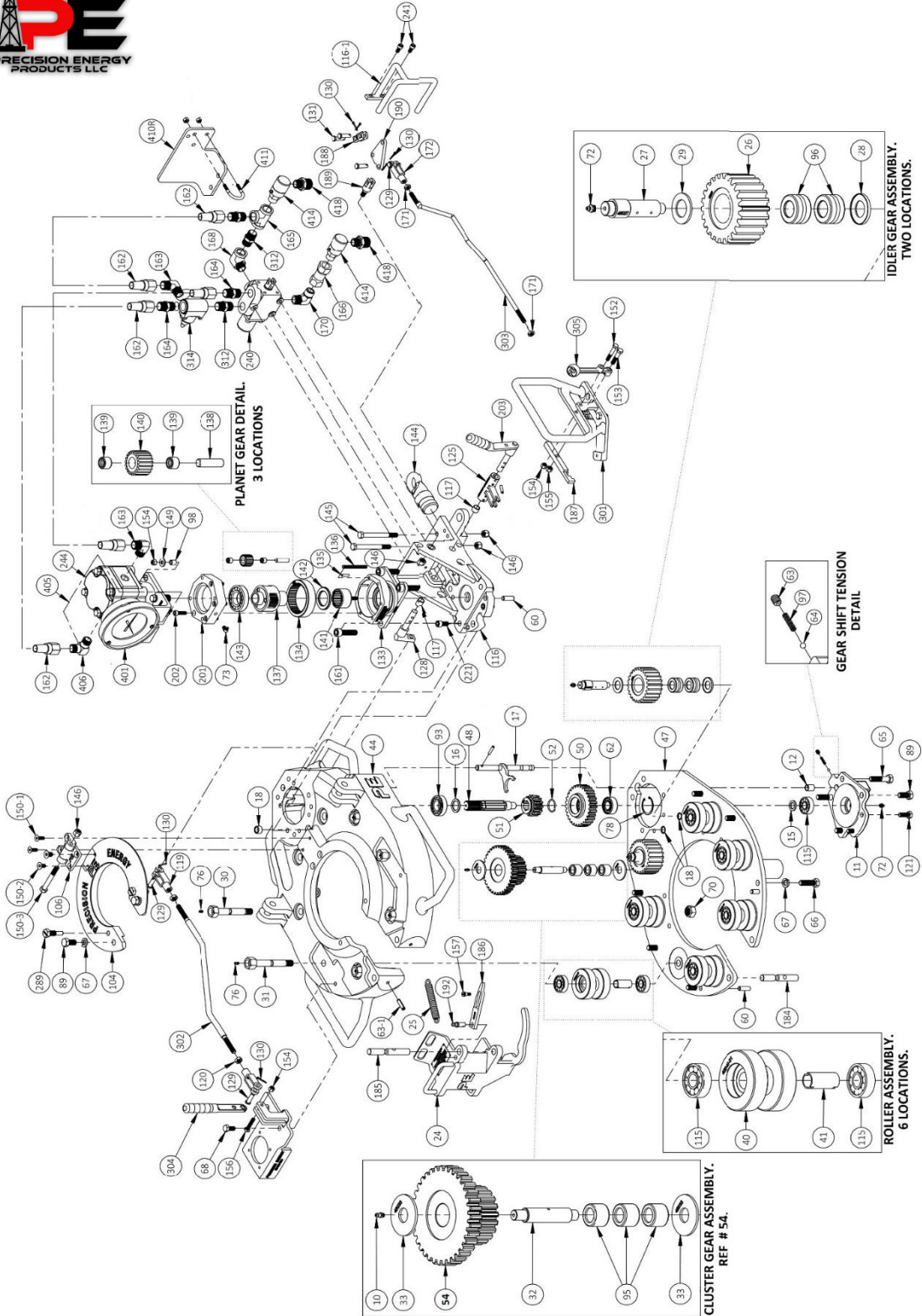
ITEM	PN#	DESCRIPTION
164	24907	TRANSMISSION CASE
164A	16980	GEAR BOX COVER GASKET
165	992005-04	CASE CAPSCREW, 1/2" X 1 1/4"
165A	992051-10	LOCKWASHER
166	24908	CASE COVER
167	24913	CASE GASKET
168	992082-72	CASE COVER DOWEL PIN
169	992019-01	CASE COVER SCREW
170	940207-6	CASE BUSHING
171	15504	GEAR BOX COVER BEARING PLATE
172	16978	GEAR BOX COVER BEARING GASKET
173	992015-04	CAPSCREW, 1/4" X 3/4"
174	940257-4	GEAR CASE OIL PLUG
175	24909	BEVEL PINION
176	979136-8	B.P. INBOARD BEARING
177	24920	BEARING SPACER
178	979384-8	B.P. OUTBOARD BEARING
179	992097-W07	LOCKWASHER
180	992097-N07	B.P. LOCKNUT
181	24919	B.P. BEARING CAGE
182	992181-244	B.P. BEARING CAGE SNAP RING
183	992017-07	CAPSCREW, 1/4" X 3/4"
184	24922	BEARING CASE SHIM SET
185	27372	BEVEL GEAR SHAFT
189	24910	BEVEL GEAR
190	992310-606	B.G. KEY
-	99256-78	B.G. SHAFT UPPER BEARING SNAP RING
192	27371	COUNTER SHAFT
194	940017-816	DRIVE PINION KEY
196	24915	DRIVEN GEAR
197	992256-175	DRIVEN GEAR SNAP RING
198	941145-78	COUNTER SHAFT UPPER BEARING SNAP RING
199	24911	DRIVE SHAFT

ITEM	PN#	DESCRIPTION
200	940017-816	DRIVE SHAFT KEY (SHORT)
201	16720	DRIVE SHAFT KEY (LONG)
202	942390-52	B.G. SHAFT LOWER BEARING, OUTER RACE
202A	942394-9	B.G. SHAFT LOWER BEARING, INNER RACE
203	24915	DRIVEN GEAR
204	992256-175	DRIVEN GEAR SNAP RING
205	940295-215	DRIVE SHAFT OIL SEAL
206	979093-8	DRIVE SHAFT UPPER BEARING
207	992253-281	DRIVE SHAFT OIL SEAL RET. RING
208	24921	DRIVE SHAFT UPPER BEARING SPACER
209	15515	HIGH SPEED DRIVER GEAR
210	15535	LOW SPEED DRIVER GEAR
211	992256-137	LOW SPEED D.G. RETAINER RING
212	992256-78	DRIVE SHAFT BEARING RET. RING
213	24918	UPPER BEARING CAGE
214	979093-5	UPPER BEARING
215	24917	UPPER BEARING COVER
216	24926	UPPER BEARING COVER GASKET
217	992017-04	CAPSCREW, 5/16" X 3/4"
218	24924	UPPER BEARING CAGE SHIM SET
219	15506	SLIDING GEAR SHAFT
220	979103-4	SLIDING GEAR SHAFT UPPER BEARING
221	940295-214	SLIDING GEAR SHAFT OIL SEAL
222	941145-78	SLIDING GEAR SHAFT BEARING RET. RING
223	15513	DRIVE SPROCKET
224	940048-5205	COUNTER SHAFT BOTTOM BEARING
245	-	HYD. MOTOR
245A	970499-1247	KEY
246	992003-07	MOTOR MOUNT SCREW
246A	992155-04	WASHER
225	992080-06	1/8" NPT PLUG
247	24927	MOTOR GASKET
247A	45098	MOTOR BUSHING



"Over 30 years of oilfield experience."

BJ STYLE 45000 HYDRAULIC TUBING TONG



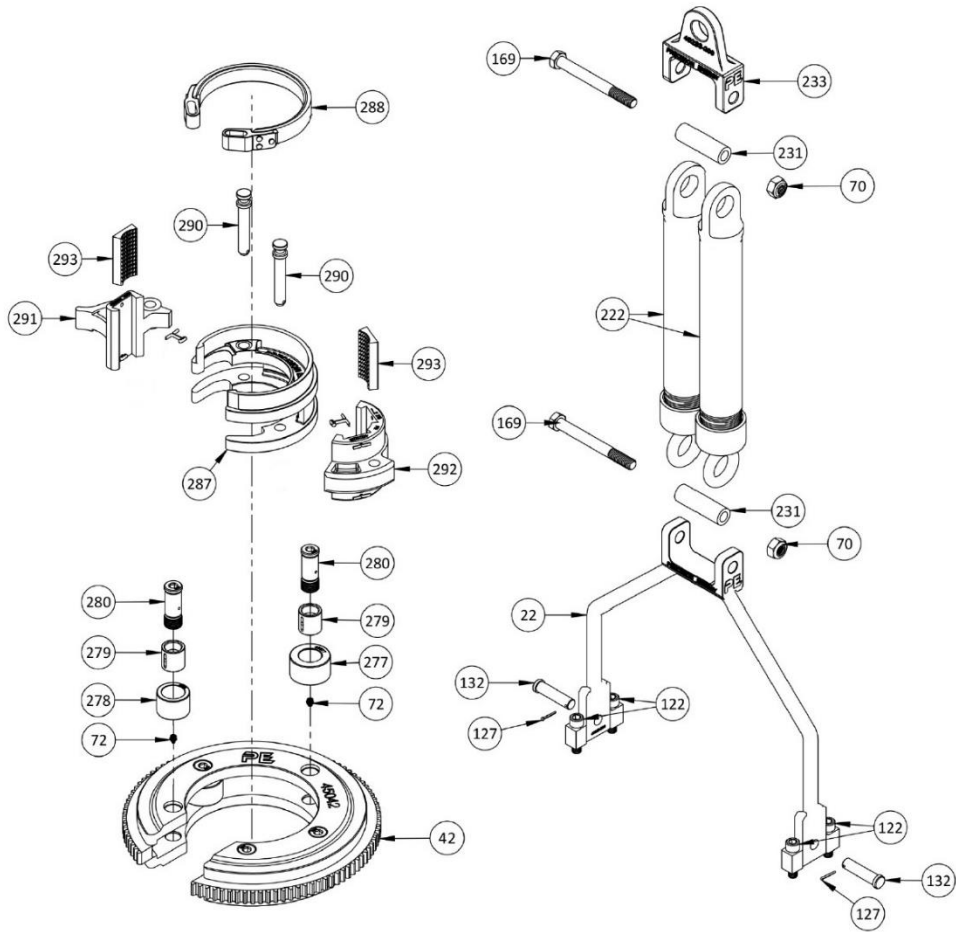


BJ STYLE 45000 HYDRAULIC TUBING TONG



JAW & BUSHING ASSY. / DIES

ITEM	QTY	PN#	DESCRIPTION
291	1	27477-1P	2 3/8" JAW
292	1	27645-1P	2 3/8" BUSHING
293	3	27494-1P	2 3/8" DIE
-	-	46-2310	2 3/8" x 1" REDUCING DIE
-	-	46-2312	2 3/8" x 1 1/4" REDUCING DIE
-	-	46-2314	2 3/8" x 1 1/2" REDUCING DIE
-	-	46-2321	2 3/8" x 2 1/16" REDUCING DIE
291	1	27481-1P	2 7/8" JAW
292	1	27660-1P	2 7/8" BUSHING
293	3	27498-1P	2 7/8" DIE
-	-	46-2310	2 7/8" x 1" REDUCING DIE
-	-	46-2312	2 7/8" x 1 1/4" REDUCING DIE
-	-	46-2314	2 7/8" x 1 1/2" REDUCING DIE
-	-	46-2321	2 7/8" x 2 1/16" REDUCING DIE
-	-	46-2723	2 7/8" x 2 3/8" REDUCING DIE
291	1	17912-1P	3 1/2" JAW
292	1	17913-1P	3 1/2" BUSHING
293	3	6473P	3 1/2" DIE
291	1	23623-1P	4" JAW
292	1	23624-1P	4" BUSHING
293	3	6473P	4" DIE
291	1	24552-1P	4 1/2" JAW
292	1	24553-1P	4 1/2" BUSHING
293	3	24554P	4 1/2" DIE





BJ STYLE 45000 HYDRAULIC TUBING TONG

ITEM	QTY	PN#	DESCRIPTION
11	1	45011	BOT. TRANS. COVER
12	1	45012	BUSHING
15	1	45015	BEARING SPACER
16	1	45016	THRUST WASHER
17	1	45017	SHIFT WORK
18	6	45018	GEAR SHAFT BUSHING
22	1	45022-200	HANGER
24	1	45024-200	GUARD DOOR
25	1	45025	DOOR SPRING
26	2	45026	IDLER GEAR
27	2	45027-01	IDLER GEAR SHAFT
28	2	45028	THRUST WASHER
29	2	45029	THRUST WASHER
30	4	45030-01	GUIDE ROLLER SHAFT
31	2	45031-01	GUIDE ROLLER SHAFT
32	1	45032-01	CLUSTER GEAR SHAFT
33	2	45033	THRUST WASHER
40	6	45040-01	GUIDE ROLLER
41	6	45041	GUIDE ROLLER SPACER
42	1	45042	103 TOOTH ROTOR
44	1	45044-200	TUBING TONG HOUSING
47	1	45047-200	TONG COVER
48	1	45048	PINION SHAFT
50	1	45050	HIGH SPEED PINION, 29 TOOTH
51	1	45051	14 TOOTH LOW SPEED PINION GEAR
52	1	45052	RETAINER RING
54	1	45060	CLUSTER GEAR
60	4	992082-96	DOWEL PIN
62	1	940048-5205	BEARING SPACER
63	1	992134-86	SET SCREW
63-1	2	992011-184	ROLL PIN
64	1	900572-5	STEEL BALL
65	2	992007-05	CAP SCREW
66	6	992007-03	CAP SCREW
67	16	992051-14	LOCKWASHER
68	2	992005-03	CAP SCREW
70	7	992162-09	NUT
72	3	992073-01	GREASE FITTING
73	1	992073-03	GREASE FITTING
76	9	992073-04	GREASE FITTING
78	1	992253-200	SNAP RING
89	4	992007-02	CAP SCREW
93	1	940021-206	BEARING
95	6	45095	BEARING SET
96	4	45096	BEARING SET
97	1	45097	TRANSMISSION SPRING
98	2	45098	MOTOR BUSHING
104	1	45104	TOP COVER
106	1	45106	TOP COVER HINGE
115	15	940007-304	BEARING
116	1	45116	TONG HANDLE
116-1	1	45116-300	CONTROL VLV. LINKAGE GUARD
117	3	45117	SHIFT BUSHING

ITEM	QTY	PN#	DESCRIPTION
119	2	900470-16	END YOKE
120	2	992107-10	JAM NUT
121	2	992005-04	CAP SCREW
122	4	992025-06	SH CAP SCREW
125	1	45125	SHIFT LEVER
127	2	992012-45	COTTER PIN
128	1	45128	SHIFT LINK
129	3	992049-125	CLEVIS PIN
130	6	992012-34	COTTER PIN
131	4	992049-106	CLEVIS PIN
132	2	992049-165	CLEVIS PIN
133	1	45133	GEAR HOUSING
134	1	45134	RING GEAR
135	1	992082-38	DOWEL
136	2	45193	STUD
137	1	45137	PLANETARY GEAR HOUSING
138	3	992082-97	PLANET GEAR SHAFT
139	6	45139	BEARING
140	3	45140	PLANET GEAR
141	1	903317-17	BEARING
142	1	45142	THRUST WASHER
143	1	940016-208	BEARING
144	1	45144-200	BACK SWIVEL
145	2	992005-17	CAP SCREW
146	4	992089-09	NYLOCK NUT
149	2	992155-04	FLAT WASHER
150-1	2	992066-04	FH SOCKET SCREW
150-2	2	992066-03	FH SOCKET SCREW
150-3	1	992005-14	CAP SCREW
152	1	992003-10	CAP SCREW
153	1	992004-07	CAP SCREW
154	4	992089-05	NYLOCK NUT
155	1	992089-07	NYLOCK NUT
156	1	992003-08	CAP SCREW
157	1	992217-01	SHOULDER BOLT
161	4	992025-07	CAP SCREW
162	2	900706-240	HYDRAULIC HOSE
163	2	992141-5-12-12	90° MALE ELBOW
164	4	992138-5-12-12	HYDRAULIC FITTING
165	1	992434-5-12-12	HYDRAULIC FITTING TEE
166	1	46056	ADAPTER
168	1	992142-5-12-12	ADAPTER ELBOW
169	2	-	BOLT
170	1	992338-5-12-12	ADAPTER ELBOW
171	2	992107-08	JAM NUT
172	1	900470-7	END YOKE
184	1	45184	LEFT HAND DOOR PIN
185	1	45185	RIGHT HAND DOOR PIN
186	1	45186	SAFETY LATCH PLATE
187	1	45187	SAFETY LATCH BAR
188	1	45188	CONTROL VLV. YOKE

ITEM	QTY	PN#	DESCRIPTION
189	1	45189	FIXED YOKE
190	1	45190	PIVOT PLATE
192	1	45192	SAFETY LATCH SPRING PIN
201	1	45201	MOTOR ADAPTER
202	4	992019-06	CAP SCREW
203	1	45203-1	REAR SHIFT LEVER HANDLE
221	2	992023-05	CAP SCREW
222	1	45030-100	DUAL SUSPENSION HANGER ASSY.
231	2	45231	HANGER SLEEVE
233	1	45233	HANGER YOKE
240	1	45240	CONTROL VLV. ASSY
241	2	992019-03	SH CAP SCREW
244	1	970400-5	HYDRAULIC MOTOR
277	3	45277	LARGE ROLLER
278	2	45278	SMALL ROLLER
279	5	45279	ROLLER BUSHING
280	5	45280	ROLLER PIN
287	1	45287	INNER RING
288	1	15527-1P	BRAKE BAND
289	2	15528P	BRAKE BAND PIN
290	2	45290P	JAW PIN
301	1	45301	THROTTLE BRACKET
302	1	45302	SHIFT ROD
303	1	45303	THRITTLE TOD
304	1	45304	SHIFT HANDLE
305	1	45305-01	THROTTLE HANDLE
312	2	992151-S-12-12	HEX NIPPLE
314	1	943972-45	HYDRAULIC RELIEF VALVE
401	1	45403-101	TORQUE GAUGE ASSY.
405	1	700B-04-017-02	1/4" HOSE ASSY.
406	1	45406	90° ELBOW ADAPTER
410R	1	45430-01	CONTROL VALVE BACK GUARD
411	1	992327-018	U-BOLT
414	2	992453-12	HYDRAULIC SWIVEL
418	2	992131-S-16-12	HYDRAULIC FITTING

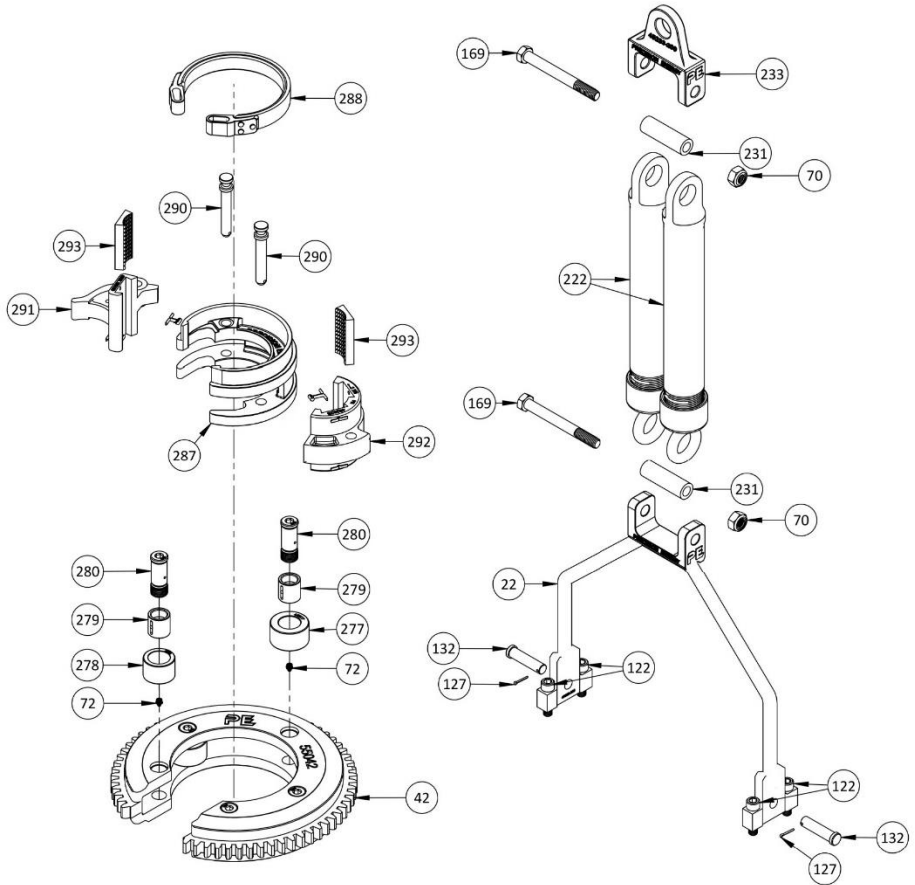


BJ STYLE 5500 HYDRAULIC TUBING TONG



JAW & BUSHING ASSY. / DIES

ITEM	QTY	PN#	DESCRIPTION
291	1	27477-1P	2 3/8" JAW
292	1	27645-1P	2 3/8" BUSHING
293	3	27494-1P	2 3/8" DIE
-	-	46-2310	2 3/8" x 1" REDUCING DIE
-	-	46-2312	2 3/8" x 1 1/4" REDUCING DIE
-	-	46-2314	2 3/8" x 1 1/2" REDUCING DIE
-	-	46-2321	2 3/8" x 2 1/16" REDUCING DIE
291	1	27481-1P	2 7/8" JAW
292	1	27660-1P	2 7/8" BUSHING
293	3	27498-1P	2 7/8" DIE
-	-	46-2310	2 7/8" x 1" REDUCING DIE
-	-	46-2312	2 7/8" x 1 1/4" REDUCING DIE
-	-	46-2314	2 7/8" x 1 1/2" REDUCING DIE
-	-	46-2321	2 7/8" x 2 1/16" REDUCING DIE
-	-	46-2723	2 7/8" x 2 3/8" REDUCING DIE
291	1	17912-1P	3 1/2" JAW
292	1	17913-1P	3 1/2" BUSHING
293	3	6473P	3 1/2" DIE
291	1	23623-1P	4" JAW
292	1	23624-1P	4" BUSHING
293	3	6473P	4" DIE
291	1	24552-1P	4 1/2" JAW
292	1	24553-1P	4 1/2" BUSHING
293	3	24554P	4 1/2" DIE





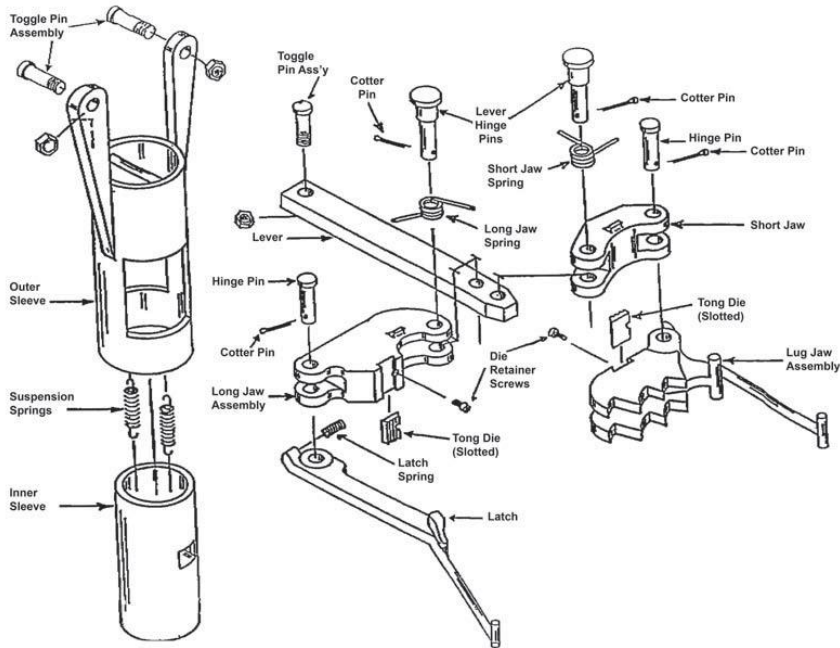
BJ STYLE 55000 HYDRAULIC TUBING TONG

ITEM	QTY	PN#	DESCRIPTION
11	1	45011	BOT. TRANS. COVER
12	1	45012	BUSHING
15	1	45015	BEARING SPACER
16	1	45016	THRUST WASHER
17	1	45017	SHIFT WORK
18	6	45018	GEAR SHAFT BUSHING
22	1	45022-200	HANGER
24	1	45024-200	GUARD DOOR
25	1	45025	DOOR SPRING
26	2	55026	IDLER GEAR
27	2	45027-01	IDLER GEAR SHAFT
28	2	45028	THRUST WASHER
29	2	45029	THRUST WASHER
30	5	45030-01	GUIDE ROLLER SHAFT
31	2	45031-01	GUIDE ROLLER SHAFT
32	1	45032-01	CLUSTER GEAR SHAFT
33	2	45033	THRUST WASHER
34	2	45034	THRUST WASHER
39	1	55039	GUIDE ROLLER
40	6	45040-01	GUIDE ROLLER
41	7	45041	GUIDE ROLLER SPACER
42	1	55042	68 TOOTH ROTOR
44	1	55044-200	TUBING TONG HOUSING
47	1	55047-200	TONG COVER
48	1	45048	PINION SHAFT
50	1	55050	HIGH SPEED PINION, 20 TOOTH
51	1	55051	13 TOOTH LOW SPEED PINION GEAR
52	1	45052	RETAINER RING
53	1	55060	CLUSTER GEAR, LH
54	1	55061	CLUSTER GEAR, RH
60	4	992082-96	DOWEL PIN
62	1	940048-5205	BEARING
63	1	992134-86	SET SCREW
63-1	2	992011-184	ROLL PIN
64	1	900572-5	STEEL BALL
65	2	992007-05	CAP SCREW
66	6	992007-03	CAP SCREW
67	16	992051-14	LOCKWASHER
68	2	992005-03	CAP SCREW
70	7	992162-09	NUT
72	3	992073-01	GREASE FITTING
73	1	992073-03	GREASE FITTING
76	9	992073-04	GREASE FITTING
78	1	992253-200	SNAP RING
89	4	992007-02	CAP SCREW
93	1	940021-206	BEARING
95	6	45095	BEARING SET
96	4	45096	BEARING SET
97	1	45097	TRANSMISSION SPRING
98	2	45098	MOTOR BUSHING
104	1	45104	TOP COVER
106	1	45106	TOP COVER HINGE
115	15	940007-304	BEARING
116	1	45116	TONG HANDLE
116-1	1	45116-300	CONTROL VLV. LINKAGE GUARD
117	3	45117	SHIFT BUSHING

ITEM	QTY	PN#	DESCRIPTION
119	2	900470-16	END YOKE
120	2	992107-10	JAM NUT
121	2	992005-04	CAP SCREW
122	4	992025-06	SH CAP SCREW
125	1	45125	SHIFT LEVER
127	2	992012-45	COTTER PIN
128	1	45128	SHIFT LINK
129	3	992049-125	CLEVIS PIN
130	6	992012-34	COTTER PIN
131	4	992049-106	CLEVIS PIN
132	2	992049-165	CLEVIS PIN
133	1	45133	GEAR HOUSING
134	1	45134	RING GEAR
135	1	992082-38	DOWEL
136	2	45193	STUD
137	1	45137	PLANETARY GEAR HOUSING
138	3	992082-97	PLANET GEAR SHAFT
139	6	45139	BEARING
140	3	45140	PLANET GEAR
141	1	903317-17	BEARING
142	1	45142	THRUST WASHER
143	1	940016-208	BEARING
144	1	45144-200	BACK SWIVEL
145	2	992005-17	CAP SCREW
146	4	992089-09	NYLOCK NUT
149	2	992155-04	FLAT WASHER
150-1	2	992066-04	FH SOCKET SCREW
150-2	2	992066-03	FH SOCKET SCREW
150-3	1	992005-13	CAP SCREW
152	1	992003-10	CAP SCREW
153	1	992004-07	CAP SCREW
154	4	992089-05	NYLOCK NUT
155	1	992089-07	NYLOCK NUT
156	1	992003-08	CAP SCREW
157	1	992217-01	SHOULDER BOLT
161	4	992025-07	CAP SCREW
162	2	900706-240	HYDRAULIC HOSE
163	2	992141-S-12-12	90° MALE ELBOW
164	4	992138-S-12-12	HYDRAULIC FITTING
165	1	992434-S-12-12	HYDRAULIC FITTING TEE
166	1	46056	ADAPTER
168	1	992142-S-12-12	ADAPTER ELBOW
169	2		BOLT
170	1	992338-S-12-12	ADAPTER ELBOW
171	2	992107-08	JAM NUT
172	1	900470-7	END YOKE
184	1	45184	LEFT HAND DOOR PIN
185	1	45185	RIGHT HAND DOOR PIN
186	1	45186	SAFETY LATCH PLATE
187	1	45187	SAFETY LATCH BAR
188	1	45188	CONTROL VLV. YOKE

ITEM	QTY	PN#	DESCRIPTION
189	1	45189	FIXED YOKE
190	1	45190	PIVOT PLATE
192	1	45192	SAFETY LATCH SPRING PIN
201	1	45201	MOTOR ADAPTER
202	4	992019-06	CAP SCREW
203	1	45203-1	REAR SHIFT LEVER HANDLE
221	2	992023-05	CAP SCREW
222	1	45030-100	DUAL SUSPENSION HANGER ASSY.
231	2	45231	HANGER SLEEVE
233	1	45233-3	HANGER YOKE
240	1	45240	CONTROL VLV. ASSY
241	2	992019-03	SH CAP SCREW
244	1	970400-5	HYDRAULIC MOTOR
277	3	45277	LARGE ROLLER
278	2	45278	SMALL ROLLER
279	5	45279	ROLLER BUSHING
280	5	45280	ROLLER PIN
287	1	45287	INNER RING
288	1	30862P	BRAKE BAND
289	2	15528P	BRAKE BAND PIN
290	2	45290P	JAW PIN
301	1	45301	THROTTLE BRACKET
302	1	45302	SHIFT ROD
303	1	45303	THRITTLE TOD
304	1	45304	SHIFT HANDLE
305	1	45305-01	THROTTLE HANDLE
312	2	992151-S-12-12	HEX NIPPLE
314	1	943972-45	HYDRAULIC RELIEF VALVE
401	1	55403-101	TORQUE GAUGE ASSY.
405	1	700B-04-017-02	1/4" HOSE ASSY.
406	1	45406	90° ELBOW ADAPTER
410R	1	45430-01	CONTROL VALVE BACK GUARD
411	1	992327-018	U-BOLT
414	2	992453-12	HYDRAULIC SWIVEL
418	2	992131-S-16-12	HYDRAULIC FITTING

MS Back-Up Assemblies and Replacement Parts

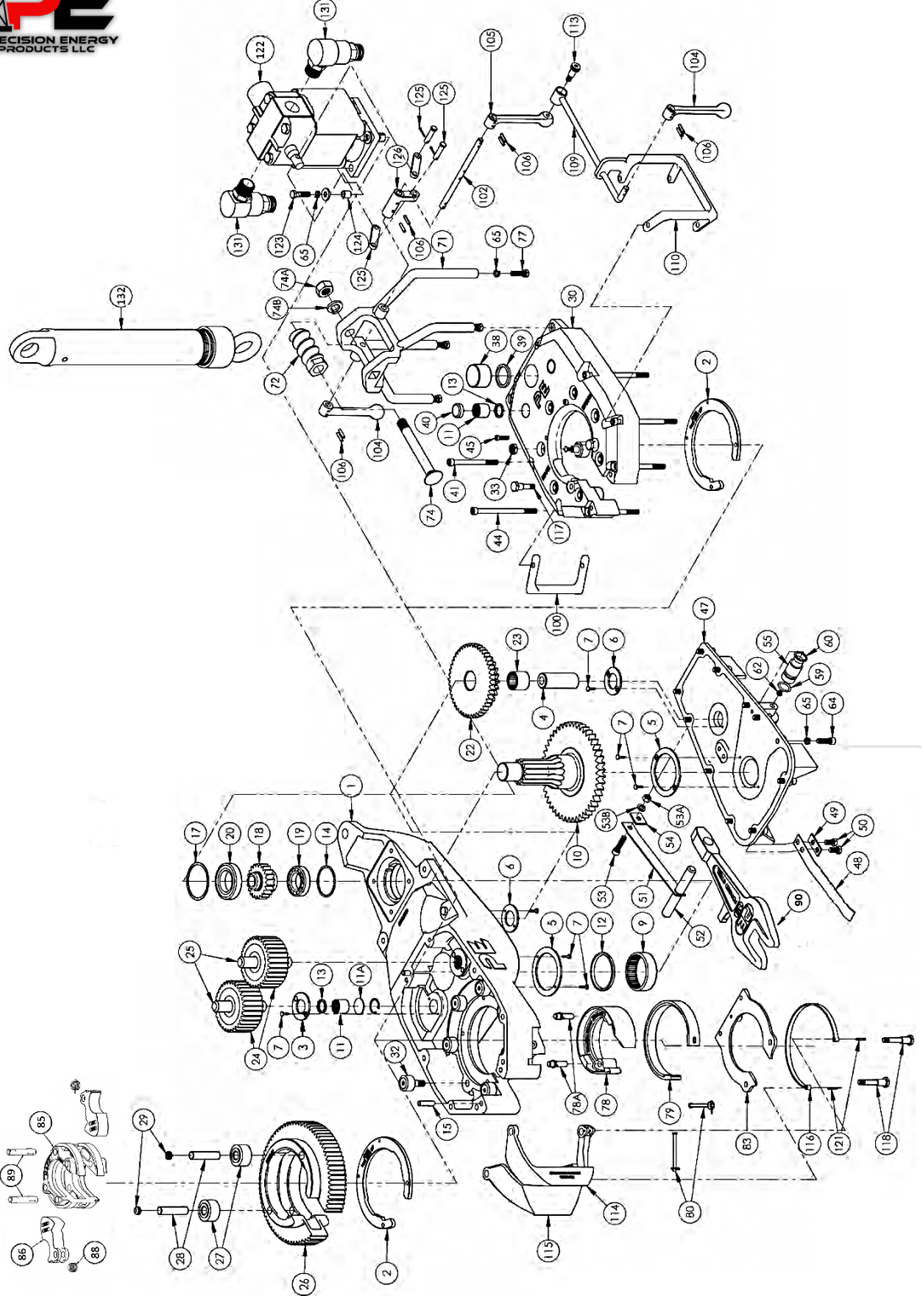


PECO PN#	DESCRIPTION
30430P	MS Backup Assembly (w/2-3/8" to 3.668" Lug Jaw & Hanger)
30430-110P	MS Backup Assembly (w/2-3/8" to 3.668" Lug Jaw, Less Hanger)
28622-5P	(HANGER) Outer-Inner Sleeve Assembly *

PECO PN#	DESCRIPTION	QTY. REQ.
45422	Lug Jaw Assembly, 2-3/8" to 3.668"	1
	Lug Jaw Assembly, 3-1/2" to 4-1/2"	1
28624P	Lever	1
6267P	Short Jaw	1
5206P	Latch Spring	1
13494P	Hinge Pin, Removable	2
	Cotter Pin	3
	Die Retainer Screw	2
	Tee Handle Weldment	1
	Latch	1
30573P	Long Jaw Spring (Y)	1
30574P	Short Jaw Spring (X)	1
30575P	Lever Hinge Pin (Long)	2
	Long Jaw Ass'y	1
6209P	Die, 3/8" x 1" x 1-15/16" (with Slots)	2
	Toggle Pin Ass'y (CAPSCREW & NUT)	2
	Outer Sleeve (HANGER)*	1
	Inner Sleeve (HANGER)*	1
945031-64P	Suspension Spring (HANGER)*	2
	Leveling Screw (Not Shown) (HANGER)*	1
	Leveling Screw Nut (Not Shown) (HANGER)*	1



BJ STYLE HYDRAULIC ROD TONG





BJ STYLE HYDRAULIC ROD TONG

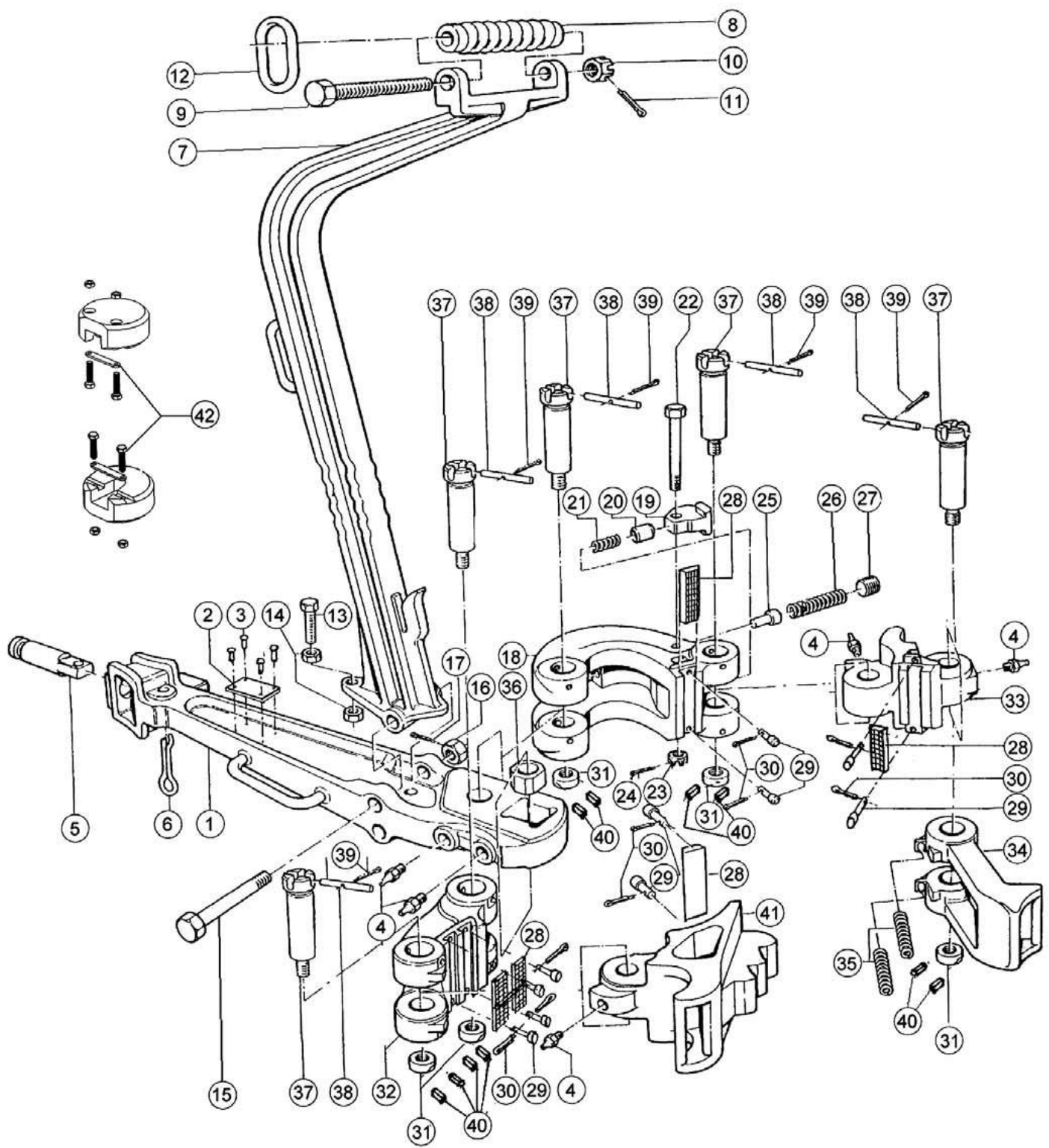
ITEM	PN#	DESCRIPTION
1	27862	MIDDLE FRAME
2	27868	WEAR RING
3	27869	IDLER GEAR THRUST WASHER
4	27870	CLUSTER GEAR SHAFT
5	27871	THRUST WASHER
6	27872	CLUSTER GEAR THRUST WASHER
7	27873	THRUST WASHER RETAINING PIN
9	942392-112	2ND REDUCTION GEAR LOWER NEEDLE BEARING
10	27851-1	2ND REDUCTION GEAR
11	942392-53	OUTER RACE
11A	29888	IDLER GEAR SHAFT DISC
12	940287-819	2ND REDUCTION GEAR SHAFT SEAL
13	940287-12	IDLER GEAR SHAFT LOWER SEAL
14	944524-244	MOTOR PINION RET. RING
15	992082-74	DOWEL PIN
17	944524-295	MOTOR PINION RET. RING
18	27921	MOTOR PINION GEAR (M-20 / M-40)
18	29197	MOTOR PINION GEAR (M-50 / M-75)
19	979384-8	MOTOR PINION LOWER BEARING
20	979384-10	MOTOR PINION LOWER BEARING (M-20 / M-40)
20	28610	MOTOR PINION BEARING ADAPTER RING (M-50 / M-75)
22	27922	CLUSTER GEAR (M-20 / M-40)
22	29196	CLUSTER GEAR (M-50 / M-70)
23	942392-72	CLUSTER GEAR BEARING
24	27866	IDLER GEAR
25	27867	IDLER GEAR SHAFT
26	30026-01	OUTER RING GEAR
27	30027	OUTER RING ROLLER
28	30028	OUTER RING ROLLER PIN
29	992081-04	OUTER RING PLUG
30	27874	FRAME COVER
32	942453-11	OUTER RING ROLLER FRAME
38	942393-84	2ND REDUCING GEAR NEEDLE BEARING
39	940286-318	2ND REDUCTION GEAR UPPER SEAL
40	944047-8	SNAP-IN SEAL
41	992019-17	CAP SCREW
44	992019-20	CAP SCREW
45	992015-06	SH CAP SCREW
47	27875	GEAR CASE COVER
48	27876	SUPPORT SPRING
49	28007	SUPPORT PLATE
50	992003-03	HH CAP SCREW
51	27877	PIVOT SPRING
52	27878	PIVOT PIN
53	992019-07	SH CAP SCREW
53A	992164-05	NUT
53B	992051-06	LOCK WASHER
54	27909	PIVOT SPRING RETAINER PLATE
55	27908	TORQUE INDICATOR LOAD CELL PISTON
59	992154-212	LOAD CELL PISTON O-RING
60	992287-SC-212	LOAD CELL BACK-UP RING
62	992080-02	PLUG
-	940288-471	PISTON SEAL
-	27918	GASKET - GEAR BOX COVER
64	992019-06	CAP SCREW
65	992160-08	LOCK WASHER

ITEM	PN#	DESCRIPTION
71	27852-1	HANGER
72	45019	HANGER BALANCING SCREW
74	992586-40	HANGER BALANCING BOLT
74A	992162-09	NUT
74B	992587-16	LOCK WASHER
77	992003-06	CAP SCREW
78	27848-200	BRAKE DRUM
78A	27884	BRAKE DRUM PIN
79	27849-200	BRAKE BAND
80	27861-2	BRAKE BAND ANCHOR PIN KIT
83	27855	COVER PLATE
-	992154-110	FRAME TORQUE INDICATOR O-RING
100	27860	FRAME HANDLE
102	29783	CONTROL VALVE SHAFT
-	29143	TORQUE INDICATOR GAUGE
104	27853	FRONT END CONTROL VALVE LEVER
105	29188	RIGHT FRONT END CONTROL VALVE LEVER
106	992011-96	ROLL PIN
109	29189	FRONT END CONTROL ROD
110	29190	FRONT END CONTROL BRACKET
113	992218-04	SHOULDER BOLT
114	27856	RIGHT HAND GATE
115	27857	LEFT HAND GATE
116	27858	GATE SPRING
117	32984	TOP GATE BOLT
118	32985	BOTTOM GATE BOLT
121	992011-58	ROLL PIN
122	970400-6	25X MOTOR & VLV ASSY (M-20 / M-50)
122	970400-7	25X MOTOR & VLV ASSY (M-40 / M-75)
122	970499-1041	CONTROL VALVE ASSY 25X MOTOR
123	992003-07	CAP SCREW
124	45098	BUSHING
125	31783-2	VALVE LINK KIT
126	31784	VALVE CRANK
131	45407-203	SWIVEL JOINT
132	45023-100	SUSPENSION SPRING ASSY

ITEM	PN#	DESCRIPTION
PN# 27899 = 5/8", 3/4", 7/8" WITH 1" FLATS		
85	27894	INNER RING
86	27900	JAW
88	27897	JAW SPRING
89	27722	JAW HINGE PIN
90	27902	5/8" ROD, BACK-UP WRENCH
90	27903	3/4"-7/8" ROD, BACK-UP WRENCH
PN# 27899-3 = 7/8" EL RODS WITH 1 1/8" FLATS		
85	27894	INNER RING
86	27900-1	JAW
88	27897	JAW SPRING
89	27722	JAW HINGE PIN
90	27903-1	7/8" EL ROD BACK-UP WRENCH
PN# 27899-4 = 1" RODS WITH 1.312" FLATS		
85	27894	INNER RING
86	32967	JAW
88	27897	JAW SPRING
89	27722	JAW HINGE PIN
90	27906	1" ROD BACK-UP WRENCH
PN# 27899-1 = 1 1/8" RODS WITH 1 1/2" FLATS		
85	27894	INNER RING
86	27905	JAW
88	27897	JAW SPRING
89	27722	JAW HINGE PIN
90	27907	1 1/8" ROD BACK-UP WRENCH



BJ TYPE "B" MANUAL TONG



BJ TYPE "B" MANUAL TONG

PARTS LIST

PECO #	OEM#	ITEM#	DESCRIPTION	# REQ
TONGBL48	12434	1	STANDARD LEVER	1
TONGBL36	9568	1	SHORT LEVER	1
-	-	2	NAME PLATE	1
-	-	3	NAME PLATE SCREWS	4
-	-	4	GREASE FITTING	-
TONGBTLP-E	9574	5	TONG LINE PIN	1
TONGBCLR	25468	6	TONG LINE PIN RETAINER	1
-	26783	7	STANDARD or SET BACK HANGER	1
-	12586	8	BALANCING SCREW	1
-	939055-576	9	BALANCING SCREW BOLT	1
-	939484-8	10	BALANCING SCREW BOLT NUT	1
-	-	11	COTTER PIN	-
-	12863	12	SUSPENSION RING	1
-	939168-133	13	HANGER ADJUSTMENT SCREW	1
-	939248-8	14	HANGER JAM NUT	2
-	939107-551	15	HANGER BOLT	1
-	940985-8	16	HANGER BOLT NUT	1
-	-	17	COTTER PIN	-
TONGBLOJ	11194	18	LONG JAW	1
-	11139	19	ADJUSTABLE STOP	1
-	11144	20	ADJUSTABLE STOP PLUNGER	1
-	11192	21	ADJUSTABLE STOP SPRING	1
-	11191	22	ADJUSTABLE STOP BOLT	1
-	8150	23	ADJUSTABLE STOP BOLT NUT	1
-	-	24	COTTER PIN	-
-	11228	25	BOOSTER PLUNGER	1
-	11229	26	BOOSTER PLUNGER SPRING	1
-	940968-6	27	BOOSTER PLUNGER RETAINER PLUG	1
TDB	16402-2	28	1/2" x 1 1/4" x 5 7/8" TONG DIE	AS REQ.
TDB-D	-	28	1/2" x 1 1/4" x 5 7/8" TONG DIE (DIAMOND TOOTH)	AS REQ.
-	17194	29	TONG DIE RETAINER PIN	AS REQ.
-	-	30	COTTER PIN	-
TONGBTHPN	11142	31	HINGE PIN NUT	5
TONGBSJ	11197	32	SHORT JAW	1
-	11195	33	LATCH JAW	1
-	11138	34	LATCH	1
9561P	9561	35	LATCH SPRING	2
TONGBHPB	9572	36	LEVER HINGE PIN BLOCK	1
TONGBTHP	11141	37	THREADED HINGE PIN	5
-	11199	38	DOWELL PIN	5
-	-	39	COTTER PIN	-
-	51506-8	40	GROOVE PIN f/ HINGE PIN NUT	10
SEE TABLE	SEE TABLE	41	LUG JAW	1
TONGSHCO	-	42	SAFETY HANDLE SET	3
TONGSHD	-	NP	DUMBBELL STYLE SAFETY HANDLE	-
TONGBHRHP	11140	NP	REMOVABLE HINGE PIN	-
BCTBA	-	NP	TONG BLOCK ADAPTER (ROUND EYE)	-

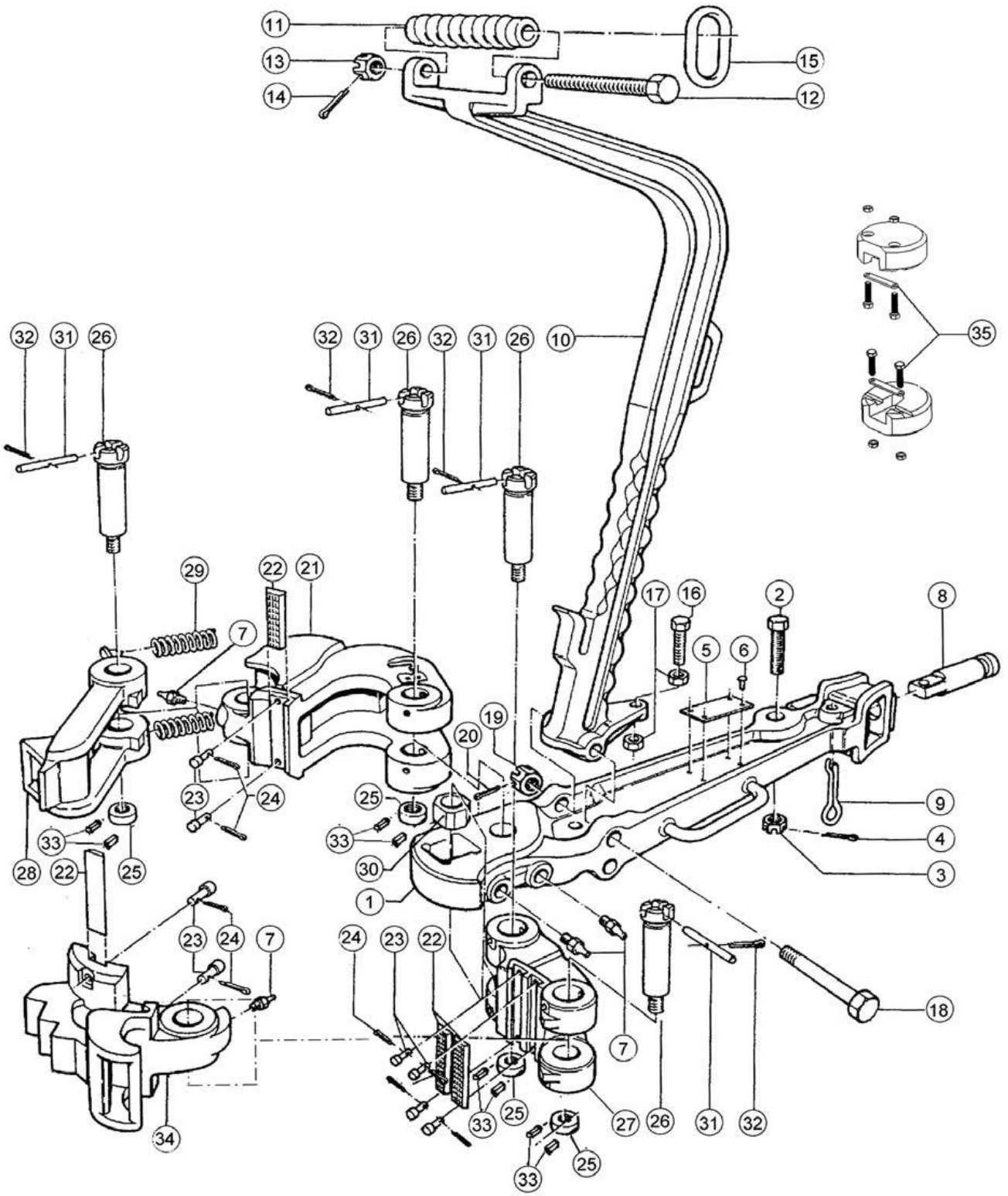
LUG JAWS

PECO #	OEM#	ITEM#	LUG JAW SIZE
TONGBLJ31	11765-1	41	3 1/2" - 5"
TONGBLJ40	23927-1	41	4" - 5 1/2"
TONGBLJ42	11196-3	41	4 1/4" - 6 3/4"
TONGBLJ50	23622-1	41	5" - 6 3/4"
TONGBLJ65	11196-2	41	6 5/8" - 9"
TONGBLJ90	11297-1	41	9" - 10 3/4"
TONGBLJ116	13285-1	41	11 3/4"
TONGBLJ128	24592-3	41	12 3/4" - 13"
TONGBLJ133	24592-1	41	13 3/8"





BJ TYPE "C" MANUAL TONG



BJ TYPE "C" MANUAL TONG

PARTS LIST

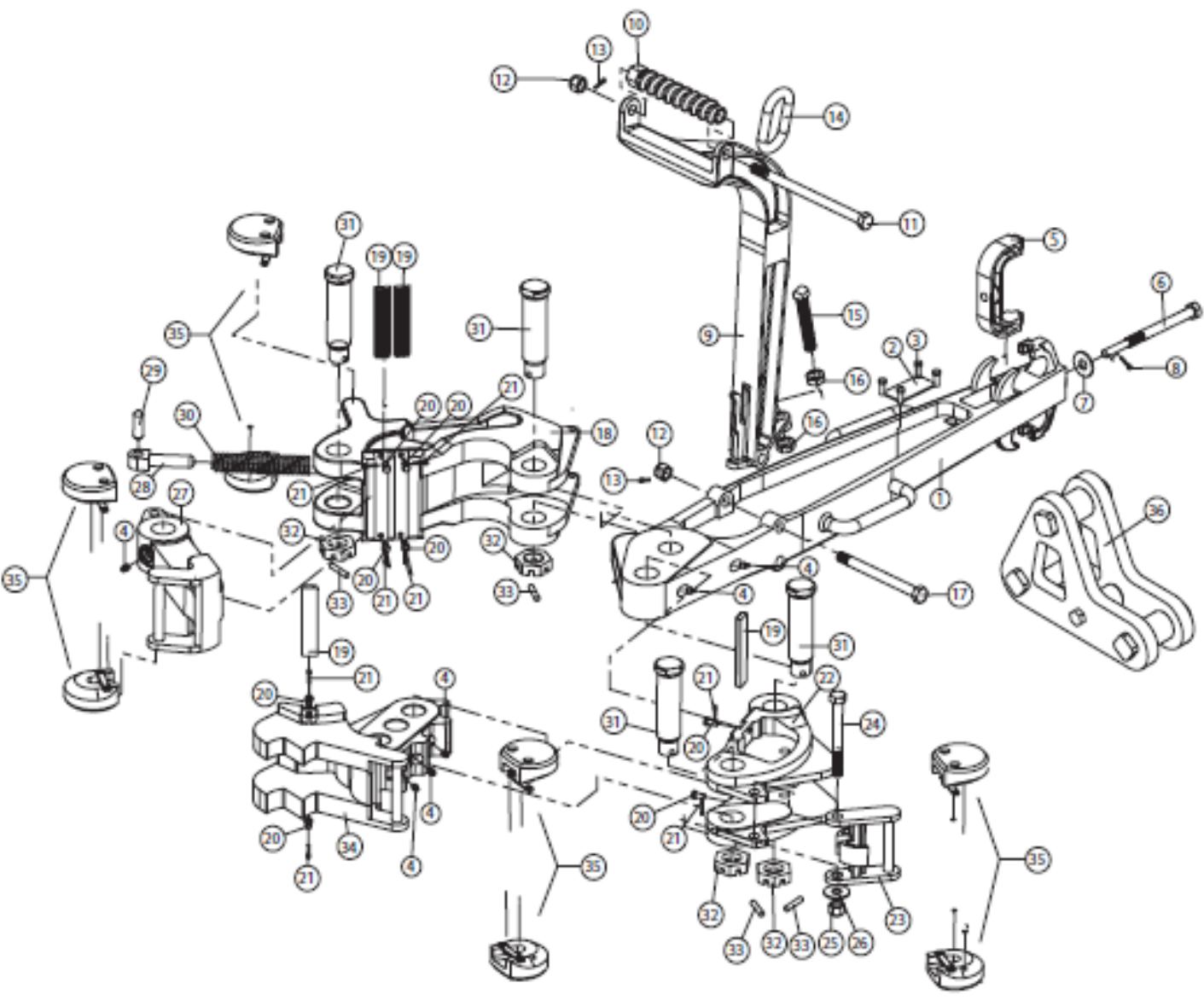
PECO #	OEM#	ITEM#	DESCRIPTION	# REQ
TONGCL40	11516	1	STANDARD LEVER	1
TONGCL30	11883	1	SHORT LEVER	1
-	939061-98	2	SAFETY LINE BOLT	1
-	6216C-00-8	3	SAFETY LINE BOLT NUT	1
-	-	4	COTTER PIN	1
-	-	5	NAME PLATE	1
-	-	6	NAME PLATE SCREWS	4
-	-	7	GREASE FITTING	-
TONGCLP-E	11517-1	8	TONG LINE PIN	1
-	25468	9	TONG LINE PIN RETAINER	1
-	13264	10	STANDARD or SET BACK HANGER	1
-	12586	11	BALANCING SCREW	1
-	939055-576	12	BALANCING SCREW BOLT	1
-	939484-8	13	BALANCING SCREW BOLT NUT	1
-	-	14	COTTER PIN	-
-	12863	15	SUSPENSION RING	1
-	939168-133	16	HANGER ADJUSTMENT SCREW	1
-	939248-8	17	HANGER JAM NUT	2
-	939107-515	18	HANGER BOLT	1
-	940985-8	19	HANGER BOLT NUT	1
-	-	20	COTTER PIN	-
TONGCLJ	11511	21	LONG JAW	1
TDC	16404-2	22	1/2" x 1 1/4" x 5" TONG DIE	AS REQ.
-	17194	23	TONG DIE RETAINER PIN	AS REQ.
-	-	24	COTTER PIN	-
TONGCTHPN	11522	25	HINGE PIN NUT	4
TONGCTHP	11521-1	26	THREADED HINGE PIN	4
TONGCSJ	11513-2	27	SHORT JAW 2 3/8" - 7"	1
TONGCSJ	11513	27	SHORT JAW 7 5/8" - 10 3/4"	1
-	11933-2	28	LATCH	1
9561P	9561	29	LATCH SPRING	2
TONGCHPN	11523	30	LEVER HINGE PIN BLOCK	3
TONGCHPRP	11199	31	DOWELL PIN	4
-	-	32	COTTER PIN	-
-	-	33	GROOVE PIN f/ HINGE PIN NUT	8
SEE TABLE	SEE TABLE	34	LUG JAW	-
TONGSHCO	-	35	SAFETY HANDLE SET	3
TONGSHD	-	NP	DUMBBELL STYLE SAFETY HANDLE	-
TONGCHRHP	11520-1	NP	REMOVABLE HINGE PIN	-
BCTBA		NP	TONG BLOCK ADAPTER	-

HINGE & LUG JAWS

PECO #	OEM#	ITEM#	HINGE / LUG JAW SIZE
TONGCLJ23	30728-1	34	2 3/8" - 3.668" LUG JAW
TONGCLJ27	30727-1	34	2 7/8" - 4 1/4" LUG JAW
TONGCLJ34	11939-4	34	3 1/2" - 5 1/4" LUG JAW
TONGCLJ44	11943-1	34	4 1/2" - 6 1/2" LUG JAW
TONGCLJ52	11940-2	34	5 1/4" - 7" LUG JAW
-	11513-1	34	7 5/8" - 10 3/4" SHORT JAW "REQUIRED"
TONGCLJ70	11941-2	34	7" - 8 5/8" LUG JAW
TONGCHJ70	11942-1	34	7" - 8 5/8" HINGE JAW
-	13799-3	34	9" - 9 1/4" LUG JAW
TONGCLJ95	13799	34	9 5/8" - 10 3/4" LUG JAW
TONGCHJ95	13798-1	34	9 5/8" - 10 3/4" HINGE JAW



BJ TYPE "DB" MANUAL TONG



BJ TYPE "DB" MANUAL TONG

PARTS LIST

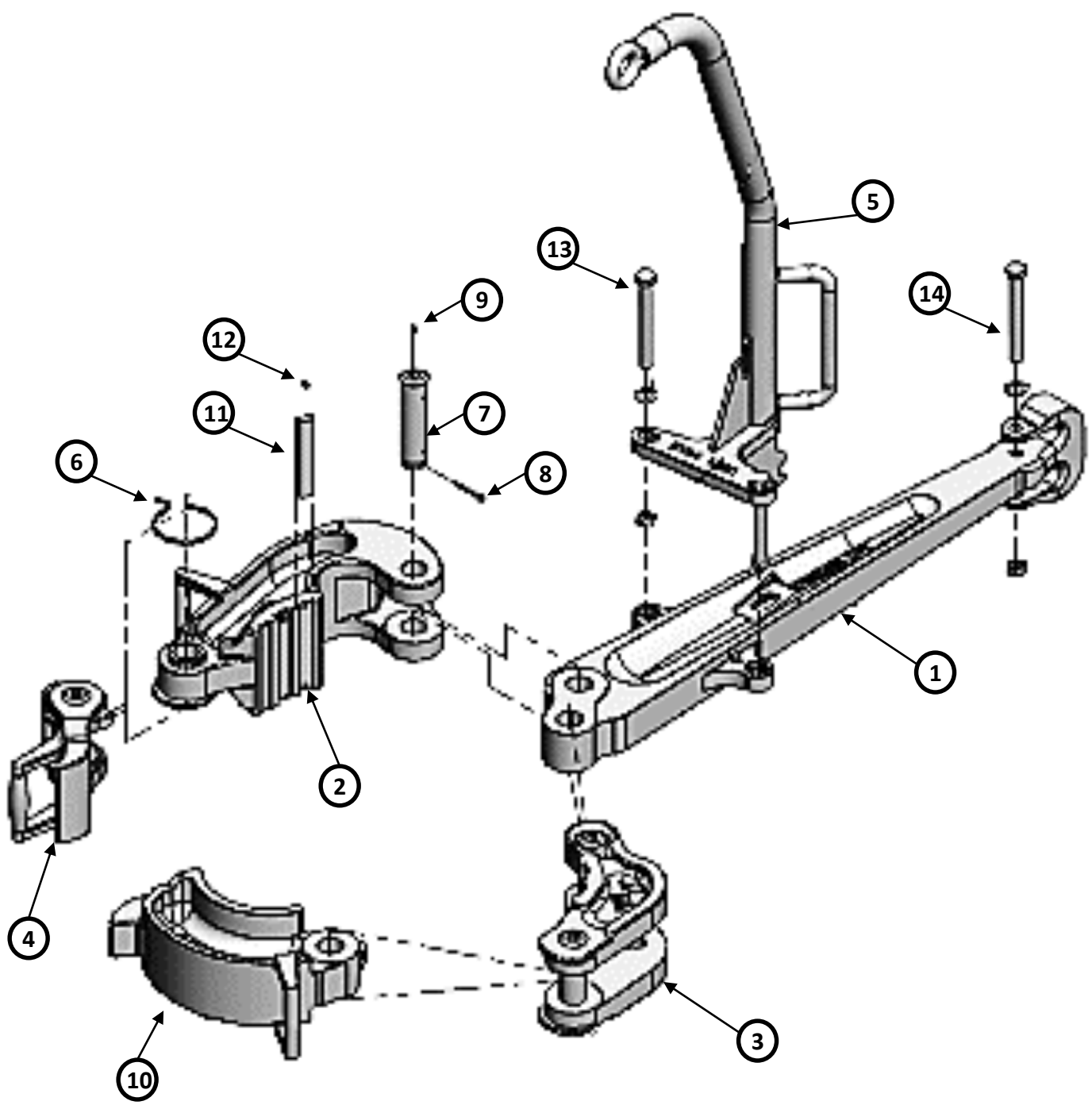
PECO #	OEM#	ITEM#	DESCRIPTION	# REQ
-	25854	1	LEVER	1
-	-	2	NAME PLATE	-
-	-	3	NAME PLATE SCREWS	-
-	-	4	GREASE FITTING	-
-	24529	5	TONG LINE RETAINER	1
-	24249	6	TONG LINE RETAINER BOLT	1
-	-	7	WASHER	1
-	-	8	COTTER PIN	-
-	26783	9	HANGER	1
-	12586	10	BALANCING SCREW	1
-	939056-576	11	BALANCING SCREW BOLT	1
-	939484-8	12	BALANCING SCREW BOLT NUT	1
-	-	13	COTTER PIN	-
-	12863	14	SUSPENSION RING	1
-	939168-133	15	HANGER ADJUSTMENT SCREW	1
-	939248-8	16	HANGER JAM NUT	2
-	939107-551	17	HANGER BOLT	1
-	30064-2	18	LONG JAW	1
TDB	16402-2	19	TONG DIE, 1/2" x 1-1/4" x 5-7/8"	AS REQ.
-	-	20	TONG DIE RETAINER PIN	AS REQ.
-	-	21	COTTER PIN	-
-	30065-2	22	SHORT JAW	1
-	25864	23	SHORT JAW HANDLE	1
-	-	24	BOLT	1
-	-	25	NUT	1
-	-	26	LOCKWASHER	1
-	25853	27	LATCH	1
-	24526	28	LATCH SPRING PLUNGER	1
-	24530	29	PLUNGER PIN	1
TONGDBSDDL	24525	30	LATCH SPRING	1
TONGDBHP	25860	31	HINGE PIN	4,5
TONGDBSDDHPN	24528	32	HINGE PIN NUT	4,5
-	-	33	COTTER PIN	-
SEE TABLE	SEE TABLE	34	LUG JAW	-
TONGSHW	-	35	SAFETY HANDLE SET	4
-	-	36	TONG LINE BLOCK	-
TONGSHD	-	NP	DUMBBELL STYLE SAFETY HANDLE	-
DBTBA	-	NP	TONG BLOCK ADAPTER	-

HINGE & LUG JAWS

PECO #	OEM#	ITEM#	HINGE / LUG JAW SIZE
-	30062-2	34	LUG JAW 3 1/2" - 8 1/4"
-	30707-1	34	LUG JAW 8" - 11 1/4" (HD)
-	30066-2	34	CASING LUG JAW 8" - 11 1/4"
-	30068-3	-	HINGE JAW 11 3/4" - 17"
-	30067	34	LUG JAW 11 3/4" - 14 3/8"
-	30069	34	LUG JAW 16" - 17"



WEB WILSON TYPE "AAX" MANUAL TONG



WEB WILSON TYPE "AAX" MANUAL TONG

PARTS LIST

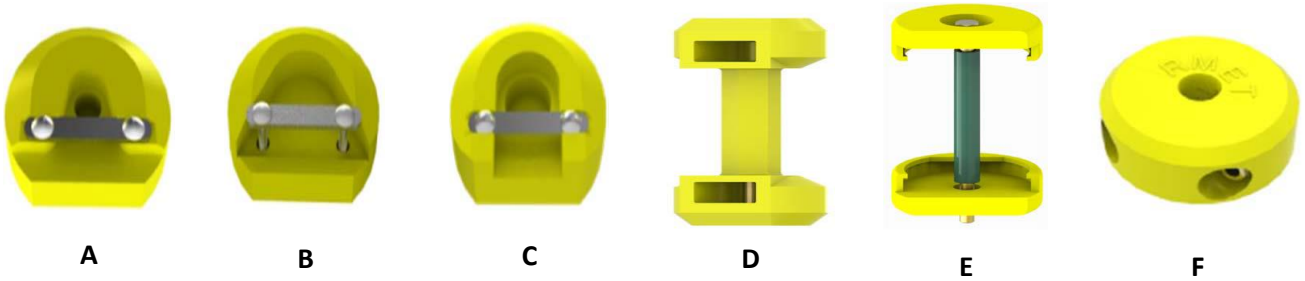
PECO #	OEM#	ITEM#	DESCRIPTION	# REQ.
TONGAAXL36	-	1	36" LEVER	1
TONGAAXL42	4531	1	42" LEVER	
TONGAAXL48	451	1	48" LEVER	1
TONGAAXLJ	4512	2	LONG JAW	1
TONGAAXSJ	454	3	SHORT JAW	1
-	4553	4	LATCH	1
-	436	5	HANGER	1
4510P	4510	6	LATCH SPRING	2
TONGAAXHP	4611	7	HINGE PIN	4
-	-	8	COTTER PIN	4
-	-	9	GREASE FITTING	4
SEE TABLE	SEE TABLE	10	LUG JAW	1
TDWWAAX	4731	11	1/2" x 1 1/4" x 5 7/8" TONG DIE	AS REQ.
-	10114	12	TONG DIE RETAINER PIN	AS REQ.
-	4538	13	HANGER ADJUSTMENT BOLT & NUT	2
-	4538	14	TONG LINE RETAINER BOLT & NUT	1
TONGSHD	-	-	SAFETY HANDLE (DUMBELL)	-
AAXTBA	-	-	TONG BLOCK ADAPTER (CLEVIS)	-

LUG JAWS

PECO #	OEM#	ITEM#	HINGE / LUG JAW SIZE
TONGAAXLJ27	4522	10	LUG JAW 2 7/8" - 3 3/4"
TONGAAXLJ34	4523	10	LUG JAW 3 1/2" - 4 1/2"
TONGAAXLJ40	4528	10	LUG JAW 4" - 5 1/4"
TONGAAXLJ50	4527	10	LUG JAW 5" - 7 1/4"
-	4526	10	LUG JAW 6" - 6 1/2"
TONGAAXLJ67	8531-5192	10	LUG JAW 6 7/8" - 8 5/8"
TONGLJ9	4524	10	LUG JAW 9" - 10 3/4"
TONGAAXLJ106	4529	10	LUG JAW 10 3/4" - 11 3/4"
TONGAAXLJ133	4530	10	LUG JAW 13 3/8"



TONG SAFETY HANDLES



ITEM	PECO PN#	DESCRIPTION
A	TONGSHCO	2 pc. KIT FOR TONGS w/ STEEL HANDLES or MODIFIED w/ 3/8" HOLES
B	TONGSHCL	2 pc. KIT f/ TYPE "C" LONG JAW
C	TONSHCO	2 pc. KIT FOR TONGS MODIFIED w/ 1 3/4" WIDS HANDLES & 3/4" HOLES
D	TONGSHD	DUMBELL STYLE
E	TONGSHV	VARCO STYLE "HT"
F	TONGSHP	PUCK STYLE (1/2" , 3/4", 7/8", or 1")

MANUAL TONG DIES

PECO PN#	DESCRIPTION
TDB	1/2" X 1-1/4" X 5-7/8" (BJ Type B & DB)
TDB-D	1/2" X 1-1/4" X 5-7/8" (BJ Type B & DB) *Diamond Tooth*
TDB-S	1/2" X 1-1/4" X 3-7/8" (BJ Type B Short Tongs with 1 1/4" Slot)
TDC	1/2" X 1-1/4" X 5" (BJ Type SDD, C, F and LF)
TDC-D	1/2" X 1-1/4" X 5" (BJ Type SDD, C, F and LF) *Diamond Tooth*
TDWWAAX	1/2" X 1-1/4" X 5-7/8" (Web Wilson *NEW* Type AAX)
TDWWB	3/8" X 1" X 5-3/4" (Web Wilson *OLD* Type AAX & B)
TDWWC	3/8" X 1" X 4-1/4" (Web Wilson Type C, D, and ADF)





FLOAT VALVES & PARTS



FLOAT VALVE

Valve	Valve PN#	Rubber Repair Kit PN#	Metal Repair Kit PN#
1R, Model F	FV31200	RR12200	MR29800
1F-2R, Model F	FV31422	RR12300	MR11300
2F-3R, Model F	FV32432	RR12400	MR11400
3F, Model F	FV33400	RR12500	MR11500
3 1/2 IF, Model F	FV33600	RR12600	MR11500IF
4R, Model F	FV34200	RR12700	MR11700
4F, Model F	FV34400	RR12800	MR11800
5R, Model F	FV35200	RR12900	MR11900
5F-6R, Model F	FV35462	RR13000	MR12000
1F-2R, Model G	FV51422	RR88300	MR88400
2F-3R, Model G	FV52432	RR13800	MR13200
3F, Model G	FV53400	RR13900	MR13300
3 1/2 IF, Model G	FV53600	RR82000	MR36700
4R, Model G	FV54200	RR14000	MR13400
4F, Model G	FV54400	RR14100	MR13500
5R, Model G	FV55200	RR14200	MR13600
5F-6R, Model G	FV55462	RR14300	MR13700
2F-3R, Model GA	FV62432	RR13800	MR35000
3 1/2 IF, Model GA	FV63600	RR82000	MR36700
4R, Model GA	FV64200	RR14000	MR16000
4F, Model GA	FV64400	RR14100	MR36800
5R, Model GA	FV65200	RR14200	MR36900
5F-6R, Model GA	FV65462	RR14300	MR34200

-- H₂S & Other Models Upon Request

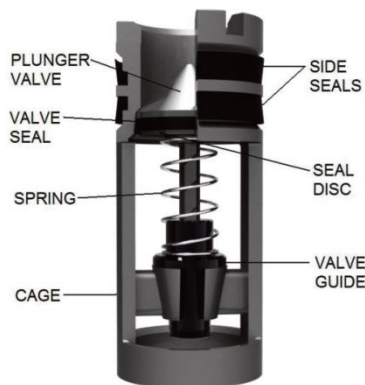


PLUNGER TYPE VALVES

MODEL--F

STANDARD

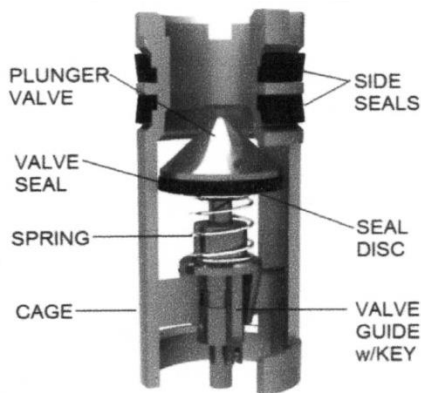
The Model F is a plunger-type float valve that provides a positive instantaneous shut off, providing constant fluid control while drilling. The Model F is a reliable and economical selection under standard drilling operations



MODEL--FC

AUTOMATIC FILL

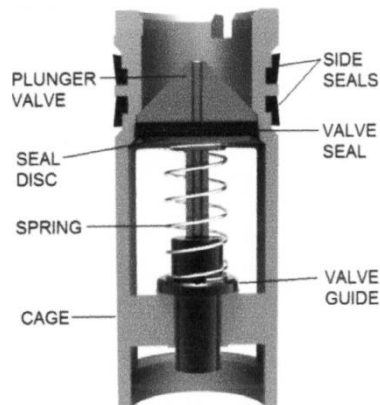
The Model FC Automatic-Fill plunger-type float valve incorporates a unique key assembly and slotted valve stem to hold the plunger open during run in of the drill pipe and allows the pipe to fill from the bottom, saving time, reducing mess, and avoiding hazards. The plunger is automatically



MODEL--FA

PRESSURE MONITORING

The Model FA Pressure-Monitoring plunger-type float valve has a special port running through the plunger of the float valve. This valve is used when monitoring the bit head for gas pressure and allowing differential pressure measuring when required. The port also permits partial automatic fill during run in.



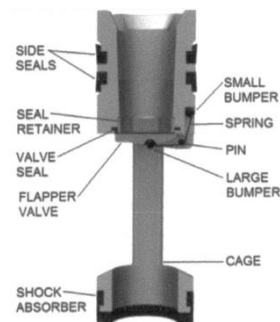
FLOAT VALVE INSTALLATION: Simply lubricate the side seals and slide the float valve into the cavity of the float sub or the bored-out drill collar.
Caution: fill drill pipe regularly when going in the hole. Failure to do this can cause damage to the drill pipe and float valve.

FLAPPER TYPE VALVES

MODEL--G

STANDARD

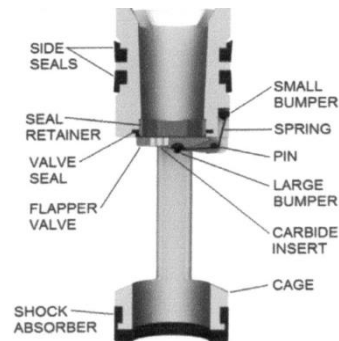
The Model G is a flapper-type float valve that, when opened, offers an unobstructed bore through the float valve. The uniquely designed flapper closes rapidly to prevent shavings from entering the drill string when circulation stops and also assists primary BOP equipment in maintaining internal pressure control. The valve will fully open when the first joint is raised from the hole, preventing pulling wet joints.



MODEL--GA

PRESSURE MONITORING

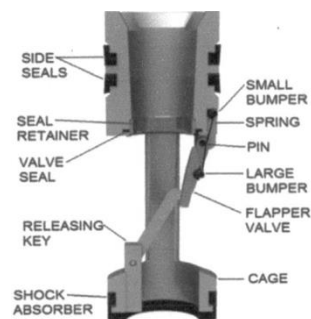
The Model GA Pressure-Monitoring flapper-type float valve is indistinguishable from the Model G with the exception of a tungsten-carbide insert in the flapper valve. The insert has a quarter-inch orifice through the center that allows for differential pressure monitoring. The orifice also allows for partial automatic filling of the drill pipe during run in.



MODEL--GC

AUTOMATIC FILL

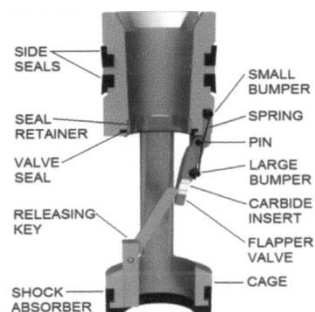
The Model GC Automatic-Fill flapper-type float valve incorporates a unique self-releasing key assembly that holds the flapper partially open during run in, allowing the pipe to fill from the bottom. This eliminates the need for filling the drill pipe from the top, saving time and money. The valve will fully open when the first joint is raised from the hole, preventing pulling wet joints while avoiding the environmental and safety risks related to having mud on the rig floor. The valve can be run with the automatic-fill option or in the standard, closed position.



MODEL--GCA

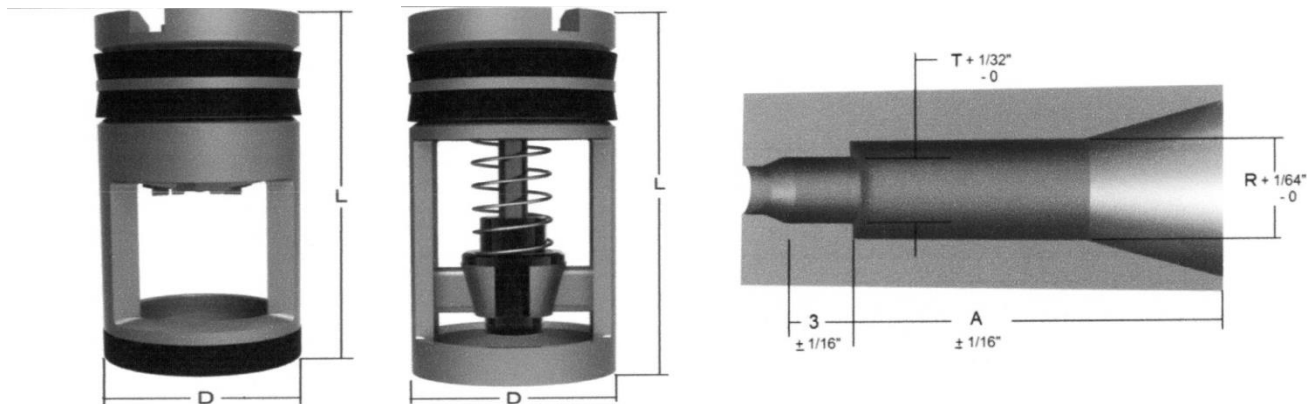
AUTOMATIC FILL PRESSURE MONITORING

The Model GCA Automatic-Fill/Pressure-Monitoring flapper-type float valve includes all the advantages of the Models G, GC, and GA. An unobstructed bore through the float valve, when open, permits automatic partial filling of the drill pipe from the bottom and measuring differential pressures when necessary.





DIMENSIONAL DATA



A = L (Length of Float Valve) + Length of Tool Joint Pin + 1/4" Clearance

Valve Size	D Dia. of Valve	R (D+ 1/32") Dia. Recess f/ Valve	L Valve Length	T* Baffle Plate Recess Dia.	Valve I.D. Model "F"	Valve I.D. Model "G"
1R	1 21/32"	1 11/16"	5 7/8"	1 5/16"	1"	N/A
1F-2R	1 29/32"	1 15/16"	6 1/4"	1 1/2"	1 1/4"	1"
2F-3R	2 13/32"	2 7/16"	6 1/2"	1 29/32"	1 9/16"	1 1/4"
3F	2 13/16"	2 27/32"	10"	2 7/16"	1 7/8"	1 5/8"
3.5 IF	3 1/8"	3 5/32"	10"	2 11/16"	1 7/8"	1 5/8"
4R	3 15/32"	3 1/2"	8 5/16"	2 15/16"	2 5/16"	1 31/32"
4F	3 21/32"	3 11/16"	12"	3 1/4"	2 1/2"	2 3/16"
5R	3 7/8"	2 29/32"	9 3/4"	3 3/8"	2 3/4"	2 1/4"
5F-6R	4 25/32"	4 13/16"	11 3/4"	4 9/32"	3 1/4"	2 7/8"
6F	5 11/16"	5 23/32"	14 5/8"	5 3/16"	4 1/8"	N/A

* Disregard if this diameter is the same or smaller than the standard tool joint I.D.

TOOL JOINT SPECIFICATION

Tool Joint Types	Model Sizes									
	1R	1F-2R	2F-3R	3F	3.5 IF	4R	4F	5R	5F-6R	6F
API Regular	2 3/8"	2 7/8"	3 1/2"			4 1/2"		5 1/2" 5 9/16" *	6 5/8" 7 5/8" ‡	8 5/8"
Hughes or Reed Acme	2 3/8"	2 7/8"	3 1/2"			4 1/2"		5 1/2" 5 9/16"	6 5/8"	
Union Tool	2 3/8"	2 7/8" 3 1/2"					4 1/2"	5 1/2" 5 9/16" *	6 5/8" ‡	
Hughes or Reed Double Streamline		2 7/8" 2 3/8"	3 1/2"	4" 4 1/2"			5"	5 1/2" 5 9/16" *		
API Full Hole		2 3/8"	2 7/8"	3 1/2"	4"	4 1/2"	4 1/2" *			6 5/8" *
Reed Acme Full Hole				3 1/2" *			4 1/2" *		5 1/2" 5 9/16" *	
Hughes Acme Streamline		2 3/8"	2 7/8"	3 1/2" *			4 1/2" *		5 1/2" 5 9/16" *	
Hughes Xtra Hole			2 7/8"	3 1/2"			4 1/2"	5"	5 1/2" 5 9/16" *	
Reed Semi-Internal Flush			2 7/8"	3 1/2"			4 1/2"	5"		
API Internal Flush		2 3/8"	2 7/8"		3 1/2"		4"	4 1/2" *		
Hydril Type IF (Int. Flush Ext. Upset)		2 3/8" *	2 7/8" *	3 1/2"				4 1/2"	5"	
Hydril EIU (Ext. INT. Upset)				3 1/2"		4"	4 1/2"		5 1/2" 5 9/16" *	6 5/8"
Hydril Type F (Ext. Flush)	2 7/8" 3 1/2" *			4 1/2" 5"		5 1/2" 5 9/16"		6 5/8"		
Hughes Ext. Flush Acme		3 1/2"	4 1/2"			5 1/2" 5 9/16"		6 5/8"		
Hughes Ext. Flush Full Hole				4 1/2"						

* Smaller I.D.

‡ interchangeability: Models G and GA, are available in sizes 1F-2R thru 5F-6R. Models GC and GCA are available in sizes 2F-3R thru 5F-6R. Models F and FA are available in all sizes. Model FC is available in sizes 2F-3R thru 6F.

BIT & SHANK SIZES

Bit Size	3 1/4"	3 3/8"	4 1/2"	4 3/4"	5 1/2"	6"	6 1/8"	6 1/4"	6 1/2"	6 3/4"	7 1/8"	8 1/4"	8 1/2"	8 3/4"	9 1/2"	9 3/4"	10 1/2"	11"	12 1/4"	13 1/2"	20"	24"	25"
Std. API Pin Shank Size	2 3/8"	2 3/8"	2 3/8"	2 7/8"	3 1/2"	3 1/2"	3 1/2"	3 1/2"	3 1/2"	3 1/2"	4 1/2"	4 1/2"	4 1/2"	4 1/2"	6 5/8"	6 5/8"	6 5/8"	6 5/8"	6 5/8"	6 5/8"	7 5/8"	7 5/8"	7 5/8"



BIT SUB INFORMATION

Valve Size	Thread Size	Tool Joint Type	Standard O.D.	Face to Shoulder or Face to Face
1R	2 3/8"	API Regular	3 1/8"	18"
1F-2R	2 7/8"		3 3/4"	20"
2F-3R	3 1/2"		4 1/4"	20"
4R	4 1/2"		5 1/2"	24"
5R	5 1/2"		6 3/4"	28"
5F-6R	6 5/8"		7 3/4"	30"
5F-6R	7 5/8"		8 7/8"	30"
6F	8 5/8"		10"	30"
3F	3 1/2"		API Full Hole	4 5/8"
3.5 IF	4"	5 1/4"		24"
4F	4 1/2"	5 3/4"		28"
5F-6R	5 1/2"	7"		30"
6F	6 5/8"	8"		30"
1F-2R	2 3/8"	API IF		3 3/8"
2F-3R	2 7/8"	API IF Box X Pin	4 1/8"	20"
3.5 IF	3 1/2"	API IF	4 3/4"	24"
4F	4 "		5 3/4"	28"
5R	4 1/2"		6 3/8"	28"
5F-6R	5 1/2"		7 3/8"	30"
6F	6 5/8"		8 3/4"	30"

Installation Guide for Drill Pipe Float Valves (pg.1)

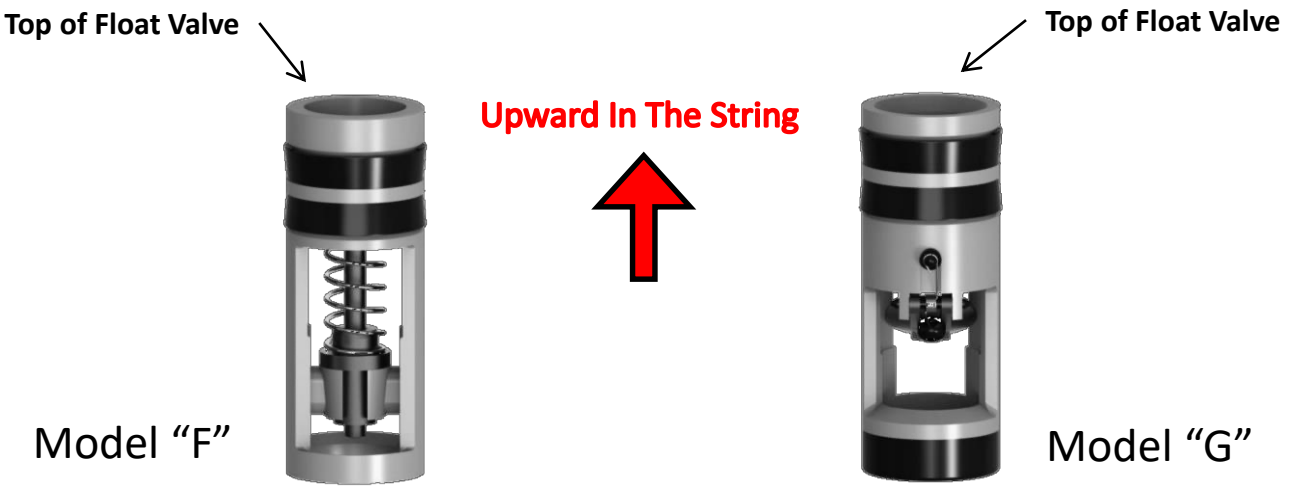
1. The first step is to determine the size of Drill Pipe Float Valve (DPFV) to be installed according to the size and type of connection they are being installed into. Charts are available to guide this selection.
2. Visually inspect the bore of the float sub or drilled out drill collar for shavings and/or foreign objects that could damage the seals of the DPFV. Clean out as necessary.
3. Lubricate the side seals of the DPFV using hydraulic oil (*for installation purposes only, grade, brand, or viscosity is not important*) and insert into the bore of the float sub or the drilled out drill collar (*rotating the DPFV slightly while inserting will lessen the force required and the chances of damaging the side seals*). **Caution must be taken to ensure that the DPFV is always installed with the top of the valve facing upward in the string.** (See Figure:1 Page 2)

CAUTIONS

1. The top of the DPFV must be facing upward in the string.(see pg.2 for illustration)
2. Fill the drill pipe regularly while running (*tripping*) in.
3. If running multiple DPFV'S in the same string it is recommended they be separated.



Installation Guide for Drill Pipe Float Valves (pg.2)



Float Valve Pullers

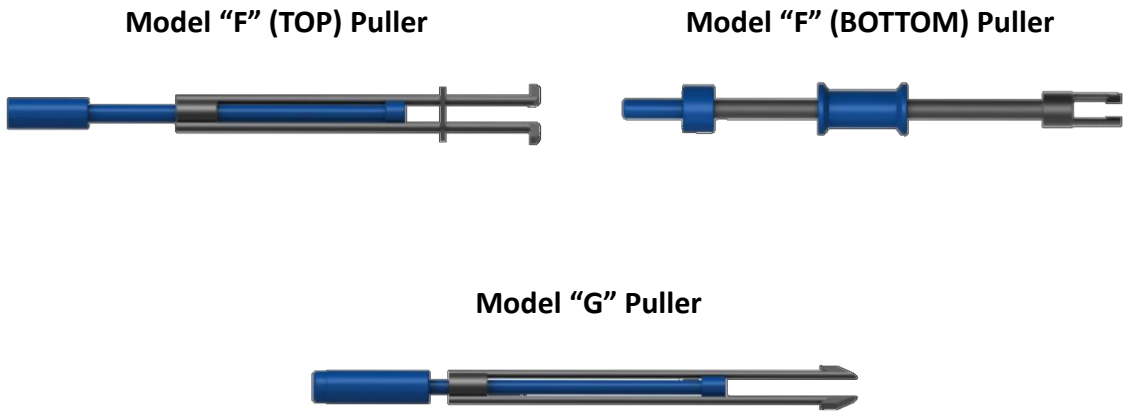
Model "F" (TOP) Puller



Model "F" (BOTTOM) Puller



Model "G" Puller

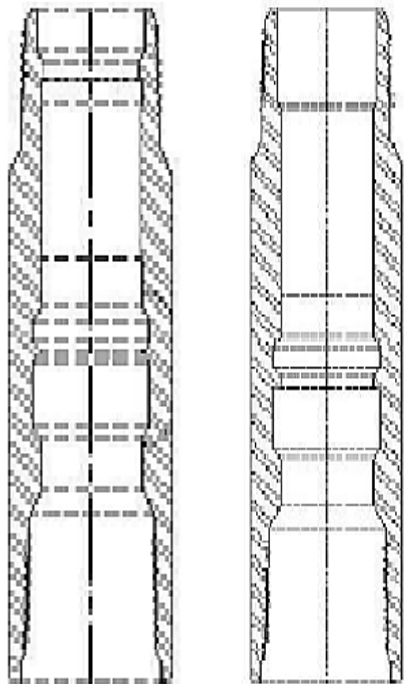




**Landing Nipples,
Valve Subs,
&
More**



LANDING NIPPLES



Landing Nipples Have A Polished Bore In The Lower Half With Locking Profiles Above Designed To Accept Many Flow Control Devices, Such As Chokes, Blanking Plugs, And Valves.

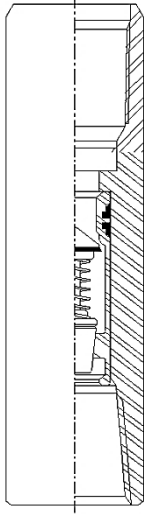
PECO PN#	DESCRIPTION
NIP238X	2-3/8" EUE (8RD) "X"
NIP238XN	2-3/8" EUE (8RD) "XN"
NIP278X	2 7/8" EUE (8RD) "X"
NIP278XN	2 7/8" EUE (8RD) "XN"
NIP238R	2-3/8" EUE (8RD) "R"
NIP238RN	2-3/8" EUE (8RD) "RN"
NIP278R	2 7/8" EUE (8RD) "R"
NIP278RN	2 7/8" EUE (8RD) "RN"

All Sizes, Styles (X,XN,R,RN), Material Are Available Upon Request.

Both (BOX x Pin) or (PIN x PIN) Are Available.

VALVE SUBS & MORE

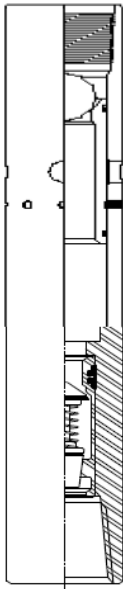
Tubing Float Valve Sub



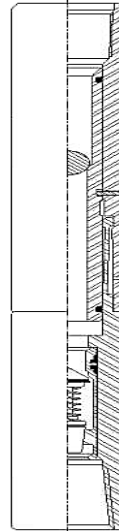
String Float Sub



Sliding Sleeve Sub



Hydraulic Bit Disconnect Sub



VALVE SUBS & MORE

Pump Out Notched
Check Valve



“WB Extender”
Tubing Stabilizer



Pump Out Plug

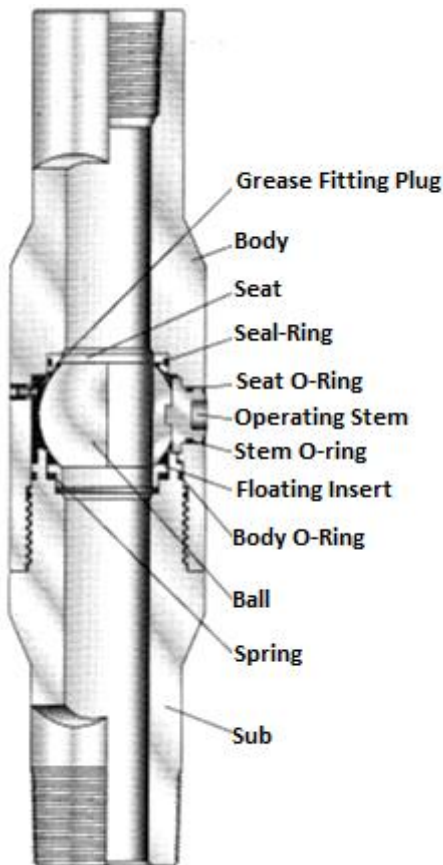




**SAFETY and KELLY
VALVES & PARTS**



Safety Valve



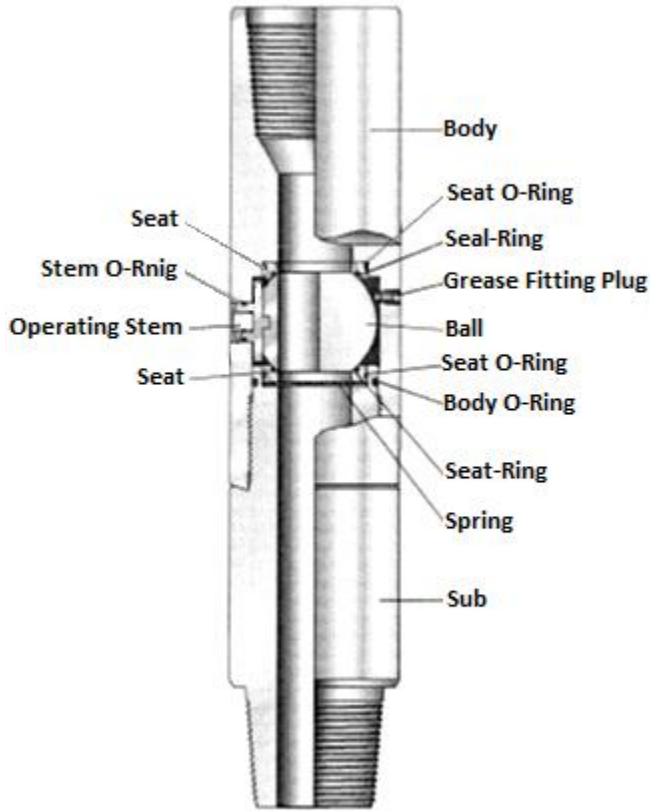
PART#	SV1	SV1C	SV2	SV2C	SV3	
CONNECTION	2 3/8" EUE	2 3/8" PH6	2 7/8" EUE	2 7/8" PH6	3 1/2" EUE	
PART	QTY.	PART NUMBERS				
FLOATING INSERT	1	FI1	FI1	FI2	FI2	FI3
SEAT	1	SE1	SE1	SE2	SE2	SE3
BALL	1	BA1	BA1	BA2	BA2	BA3
STEM	1	STS12 / STG12 SMOOTH / GROOVED	STS12 / STG12 SMOOTH / GROOVED	STS12 / STG12 SMOOTH / GROOVED	STS12 / STG12 SMOOTH / GROOVED	STG3
SPRING	1	SP1	SP1	SP2	SP2	SP3
STEM O-RING	1†	STSO12 / STGO12 SMOOTH / GROOVED	STSO12 / STGO12 SMOOTH / GROOVED	STSO12 / STGO12 SMOOTH / GROOVED	STSO12 / STGO12 SMOOTH / GROOVED	STGO3
BODY O-RING	1†	BO1	BO1	BO2	BO2	BO3
SEAT O-RING	1†	SEO1	SEO1	SEO2	SEO2	SEO3
TEFLON SEAL	1†	SR1	SR1	SR2	SR2	SR3
MAJOR REPAIR KIT		MARK1S / MARK 1G	MARK1S / MARK 1G	MARK2S / MARK2G	MARK2S / MARK2G	MARK3G
MINOR REPAIR KIT		MIRK1S / MIRK1G	MIRK1S / MIRK1G	MIRK2S / MIRK2G	MIRK2S / MIRK2G	MIRK3G
SEAL KIT		SK1SV	SK1SV	SK2SV	SK2SV	SK3SV

†PARTS COMPRISING SEAL KIT

MAJOR REPAIR KITS INCLUDE: BALL, SEAT,STEM , SPRING, SEAL KIT

MINOR REPAIR KITS INCLUDE: SEAT,STEM , SPRING, SEAL KIT

Kelly Valve



PART#	LKV32212	LKV33112	LKV33222	LKV34122	LKV34132	LKV44232	UKV55141	
CONNECTION	2 7/8" IF	3 1/2" IF	3 1/2" IF	4 1/2" IF	4 1/2" IF	4 1/2" XH	6 5/8" LH REG	
I.D.	2"	2"	2 7/16"	2 7/16"	2 3/4"	2 3/4"		
PART	QTY.	PART NUMBERS						
SEAT	2	SE4	SE4	SE5	SE7	SE6	SE8	SE9
BALL	1	BA4	BA4	NEW-BA2/OLD-BA5	BA7	BA6	BA8	BA9
STEM	1	ST4	ST4	ST5	ST7	ST6	ST8	ST9
SPRING	1	SP4	SP4	SP5	SP7	SP6	SP8	SP9
STEM O-RING	1†	ST04	ST04	ST05	ST07	ST06	ST08	ST09
BODY O-RING	1†	BO4	BO4	BO5	BO7	BO6	BO8	BO9
SEAT O-RING	2†	SEO4	SEO4	SEO5	SEO7	SEO6	SEO8	SEO9
TEFLON SEAL	2†	SR4	SR4	SR5	SR7	SR6	SR8	SR9
MAJOR REPAIR KIT		MARK4LKV	MARK4LKV	MARK5LKV	MARK7LKV	MARK6LKV	MARK8LKV	MARK9UKV
MINOR REPAIR KIT		MIRK4LKV	MIRK4LKV	MIRK5LKV	MIRK7LKV	MIRK6LKV	MIRK8LKV	MIRK9UKV
SEAL KIT		SK4LKV	SK4LKV	SK5LKV	SK7LKV	SK6LKV	SK8LKV	SK9UKV

†PARTS COMPRISING SEAL KIT
 MAJOR REPAIR KITS INCLUDE: BALL, SEAT,STEM , SPRING, SEAL KIT
 MINOR REPAIR KITS INCLUDE: SEAT,STEM , SPRING, SEAL KIT



1 PC. KELLY VALVES

CONNECTION	SERIES #
2 7/8" IF	31400
3 1/2" IF	51400
4" FH	51400
4 1/2" XH	61400
4 1/2" IF	61400
4 1/2" FH	61400M
4 1/2" IF	65800
6 5/8" R	75800
6 5/8" R (LH)	75800



2 PC. KELLY VALVES

CONNECTION	SERIES#
2 7/8" IF	50000
3 1/2" IF	50000
VX-39	51600
XT-39	51600
3 1/2" IF	51600
4 1/2" XH	63800
4 1/2" IF	63800



TUBING / SAFETY VALVES

CONNECTION	SERIES#
2 3/8" EUE	41200
2 7/8" EUE	47800
3 1/2" EUE	71200
2 3/8" PH6	41200
2 7/8" PH6	47800



IBOP DART VALVES

CONNECTION	SERIES#
2 7/8" IF	D31400
3 1/2" IF	D51400
VX-39	D51400
XT-39	D51400
4 1/2" XH	D61400
4 1/2" IF	D61400



T-11 TOP DRIVE VALVES

CONNECTION	SERIES #
6 5/8" R (DOUBLE BOX)	T-11
6 5/8" R (BOX x PIN)	T-11 LIBOP



TDC- TOP DRIVE CAN VALVES

CONNECTION	SERIES#
6 5/8" R (BOX) x 4 1/2" IF (PIN)	TDC-758
4 1/2" IF (BOX) x 4 1/2" IF (PIN)	TDC-658
4 1/2" IF x 4 1/2" XH	TDC-658



**RING JOINT GASKETS
&
STUDS**





Ring Joint Gaskets , Flanges, Studs

Flange Size	Series Service	Pressure Rating	FLANGE		STUDS					A.P.I. RING	
			OD	Flange Thickness	Dia. Bolt Circle	Bolt Qty.	Bolt Dia.	Bolt Length	Stud Length	Pitch Dia.	Ring No.
1 13/16	2900	10 M	7 3/8	1 21/32	5 3/4	8	3/4	5 1/2	3 3/4	2 19/32	BX-151
2 1/16	600	2 M	6 1/2	1 5/16	5	8	5/8	5	3 5/8	3 3/4	R-23
2 1/16	900	3 M	8 1/2	1 13/16	6 1/2	8	7/8	6 1/2	4 5/8	3 3/4	R-24
2 1/16	1500	5 M	8 1/2	1 13/16	6 1/2	8	7/8	6 1/2	4 5/8	3 3/4	R-24
2 1/16	2900	10 M	7 7/8	1 47/64	6 1/4	8	3/4	5 1/2	3 7/8	2 57/64	BX-152
2 1/16		15 M	8 3/4	2	6 7/8	8	7/8	6 1/2	4 3/8	2 57/64	BX-152
2 9/16	400	2 M	7 1/2	1 7/16	5 7/8	8	3/4	5 1/2	4	4	R-26
2 9/16	600	2 M	7 1/2	1 7/16	5 7/8	8	3/4	5 1/4	4	4	R-26
2 1/2	900	3 M	9 5/8	1 15/16	7 1/2	8	1	7	4 7/8	4 1/4	R-27
2 1/2	1500	5 M	9 5/8	1 15/16	7 1/2	8	1	6 7/8	4 1/4	4 1/4	R-27
2 1/2	2900	10 M	8 7/8	2 3/4	6 5/8	8	1	8 3/8	5 1/4	3 9/16	R-86
3 1/8	600	2 M	8 1/4	1 9/16	6 5/8	8	3/4	5 3/8	4 1/8	4 7/8	R-31
3 1/8	900	3 M	9 1/2	1 13/16	7 1/2	8	7/8	6 1/2	4 5/8	4 7/8	R-31
3 1/8	1500	5 M	10 1/2	2 3/16	8	8	1 1/8	7 3/4	5 5/8	5 3/8	R-35
3 1/8	2900	10 M	10	3 1/16	7 1/2	8	1 1/8	9 1/4	6	3 15/16	R-87
3 1/16	2900	10 M	10 5/8	2 19/64	8 1/2	8	1	7 1/4	5	4 5/64	BX-154
3 1/2	2900	10 M	11 1/2	3 3/8	8 1/2	8	1 1/4	10 1/4	6 3/8	4 1/2	R-89
4 1/16	600	2 M	10 3/4	1 13/16	8 1/2	8	7/8	6 1/2	4 5/8	5 7/8	R-37
4 1/16	900	3 M	11 1/2	2 1/16	9 1/4	8	1 1/8	7 1/2	5 1/2	5 7/8	R-37
4 1/16	1500	5 M	12 1/4	2 7/16	9 1/2	8	1 1/4	8 1/2	6 1/8	6 3/8	R-39
4 1/16	2900	10 M	12 7/16	2 49/64	10 3/16	8	1 1/8	8 1/2	5 3/4	5 15/64	BX-155
4 1/16		15 M	14 3/16	3 3/32	11 7/16	8	1 3/8	9 3/4	6 1/2	5 15/64	BX-155
5	2900	10 M	14 1/4	4 3/16	11	8	1 5/8	12 3/4	8 1/4	6 1/8	R-90
7 1/16	600	2 M	14	2 3/16	11 1/2	12	1	7 1/2	5 3/8	8 5/16	R-45
7 1/16	900	3 M	15	2 1/2	12 1/2	12	1 1/8	8 1/2	5 7/8	8 5/16	R-45
7 1/16	1500	5 M	15 1/2	3 5/8	12 1/2	12	1 3/8	11 1/4	7 1/2	8 5/16	R-46
7 1/16	2900	10 M	18 7/8	4 1/16	15 7/8	12	1 1/2	11 3/4	7 3/4	8 39/64	BX-156
9	600	2 M	16 1/2	2 1/2	13 3/4	12	1 1/8	8 1/2	5 7/8	10 5/8	R-49
9	900	3 M	18 1/2	2 13/16	15 1/2	12	1 3/8	9 1/2	6 3/4	10 5/8	R-49
9	1500	5 M	19	4 1/16	15 1/2	12	1 5/8	12 1/2	8 1/2	10 5/8	R-50
9	2900	10 M	21 3/4	4 7/8	18 3/4	16	1 1/2	13 1/2	8 1/2	10 47/64	BX-157
11	600	2 M	20	2 13/16	17	16	1 1/4	9 1/4	6 1/2	12 3/4	R-53
11	900	3 M	21 1/2	3 1/16	18 1/2	16	1 3/8	10	7	12 3/4	R-53
11	1500	5 M	23	4 11/16	19	12	1 7/8	14 1/4	9 5/8	12 3/4	R-54
11	2900	10 M	25 3/4	5 9/16	22 1/4	16	1 3/4	15 1/4	9 3/4	12 29/32	BX-158
11		15 M	32	7 3/8	28	20	2	19 1/2	12	12 29/32	BX-158
13 5/8	600	2 M	22	2 15/16	19 1/4	20	1 1/4	9 1/2	6 5/8	15	R-57
13 5/8	900	3 M	24	3 7/16	21	20	1 3/8	10 3/4	7 3/8	15	R-57
13 5/8	1500	5 M	26 1/2	4 7/16	23 1/4	16	1 5/8	12 3/4	8 3/8	15 17/64	BX-160
13 5/8	2900	10 M	30 1/4	6 5/8	26 1/2	20	1 7/8	17 3/4	11	15 49/64	BX-159
13 5/8	1500	5 M	34 7/8	8 1/16	30 3/8	20	2 1/4	21 1/4	13 1/4	15 49/64	BX-159
16 3/4	600	2 M	27	3 5/16	23 3/4	20	1 1/2	10 3/4	7 1/2	18 1/2	R-65
16 3/4	900	3 M	27 3/4	3 15/16	24 1/4	20	1 5/8	12 1/4	8 3/8	18 1/2	R-66
20 3/4	900	3 M	33 3/4	4 3/4	29 1/2	20	2	15	10 1/8	23	R-74
21 1/4	600	2 M	32	3 7/8	28 1/2	24	1 5/8	12 1/4	8 3/8	23	R-73

****GASKETS AVAILABLE IN LOW CARBON STEEL, STAINLESS STEEL, or RUBBER COATED****

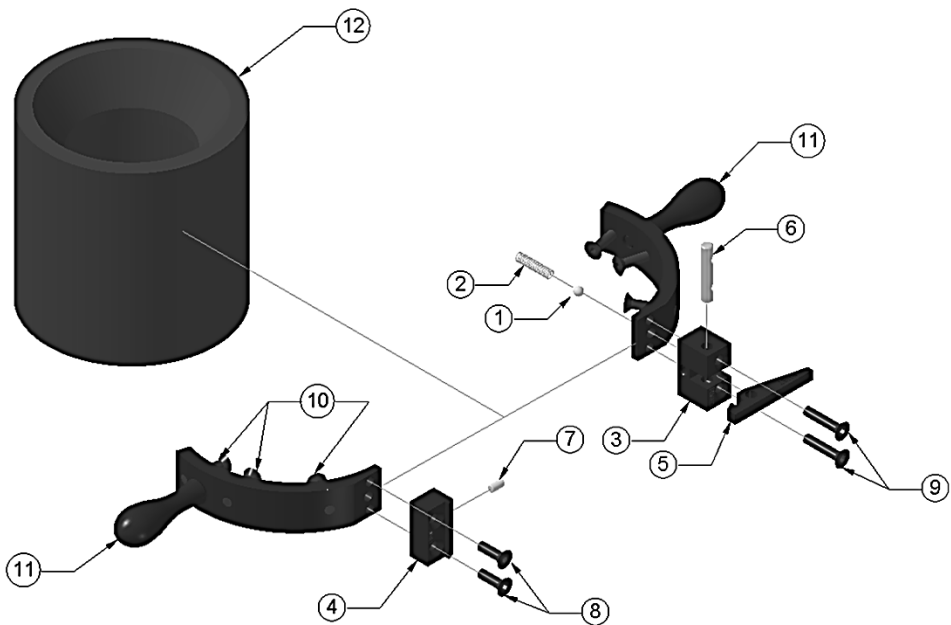
****STUDS AVAILABLE IN ALL THREAD, COMBO, or TAP END****



**STABBING GUIDES, THREAD
PROTECTORS, SWIVEL JOINTS,
PLUG VALVES,
GAUGES,
LUBRICANTS
&
MORE**



STANDARD RUBBER STABBING GUIDE



STABBING GUIDE PARTS

COMPLETE STABBING GUIDES

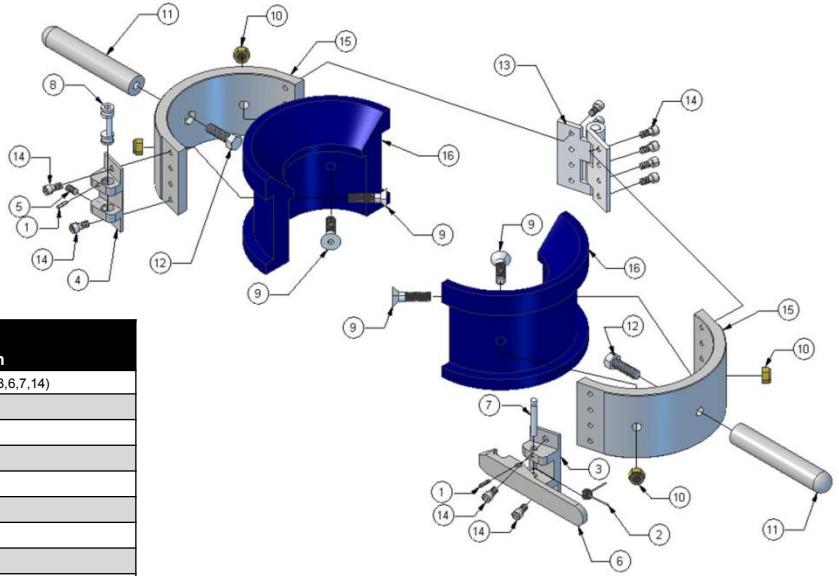
ITEM	PECO PN#	QTY	Description
1	BE	1	Bearing
2	SGSP	1	Spring
3	HI	1	Hinge
4	CA	1	Catch
5	SGLA	1	Latch
6	HP	1	Hinge Pin
7	GP	1	Guide Pin
8	CS	2	Catch Screw
9	HS	2	Hinge screw
10	CS1.25	4+	1 1/4" Cap Screw
10	CS1.5	4+	1 1/2" Cap Screw
10	CS1.75	4+	1 3/4" Cap Screw
11	RI1	2	Ring for 2 1/16" and 2 3/8" Stabbing Guide
11	RI2	2	Ring for 2 7/8" Stabbing Guide
11	RI3	2	Ring for 3 1/2" and XT-39 Stabbing Guide
11	RI4	2	Ring for 1 1/4" and 1 1/2" Stabbing Guide
12	RU1	1	Rubber for 2 3/8" PH-6 Stabbing Guide
12	RU2	1	Rubber for 2 7/8" PH-6 Stabbing Guide
12	RU3	1	Rubber for 2 3/8" CS Stabbing Guide
12	RU4	1	Rubber for 2 7/8" CS Stabbing Guide

PECO PN#	Description	WT.
SG1	2 3/8" PH-6 (5.95#) Stabbing Guide	6
SG2	2 7/8" PH-6 (7.90#) Stabbing Guide	6.5
SG3	2 3/8" CS (4.70#) Stabbing Guide	6
SG4	2 7/8" CS (6.50#) Stabbing Guide	7
SG5	XT-39 Stabbing Guide for 4 7/8" TJ	12
SG6	3 1/2" IF Stabbing Guide for 4 7/8" TJ	12
SG7	1 1/4" CS Stabbing Guide	5.5
SG8	1 1/2" CS Stabbing Guide	5.5

****CUSTOM SIZES AVAILABLE UPON REQUEST****



HEAVY DUTY STABBING GUIDE



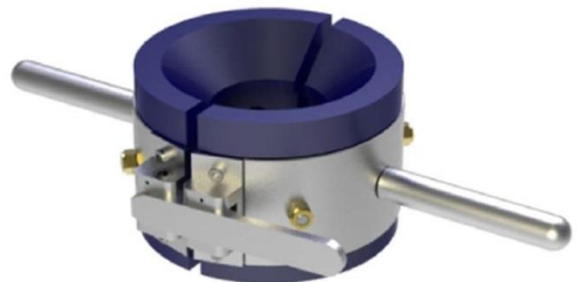
STABBING GUIDE PARTS

ITEM	PECO PN#	QTY	Description
-	SG02-552-1HD	1	HINGE BLOCK ASSY (ITEMS- 1,2,3,6,7,14)
1	SG02-550HD	2	Retainer
2	SG02-551HD	1	Spring
3	SG02-552HD	1	Hinge Block
4	SG02-553HD	1	Catch Block
5	SG02-553-SHD	1	Set Screw
6	SG02-554HD	1	Latch
7	SG02-555HD	1	Latch Pin
8	SG02-556HD	1	Latch Cam
9	SG02-557-12HD	4	1 1/2" Screw
9	SG02-557-14HD	4	1 3/4" Screw
9	SG02-557-16HD	4	2" Screw
9	SG02-557-18HD	4	2 1/4" Screw
9	SG02-557-20HD	4	2 1/2" Screw
9	SG02-557-22HD	4	2 3/4" Screw
9	SG02-557-24HD	4	3" Screw
10	SG02-557-NHD	4	Nut
11	SG02-558HD	2	Handle
12	SG02-558-SHD	2	Handle Screw
13	SG02-559HD	1	Hinge
14	SG02-559-SHD	12	Hardware Screw
15	SGA02-561HD	2	6" Ring
15	SGA02-562HD	2	9 1/2" Ring
16	SG02-525HD	1set	2 3/8" CS 4.70 INSERT
16	SG02-526HD	1set	2 3/8" PH-6 5.95# INSERT
16	SG02-527HD	1set	2 7/8" CS INSERT
16	SG02-528HD	1set	2 7/8" PH-6 7.90# INSERT
16	SG02-529HD	1set	2 7/8" PH-6 8.70# INSERT
16	SG02-531HD	1set	2 7/8" 8RD 6.5# INSERT
16	SG02-533HD	1set	3 1/2" CS 9.3# - 10.3# INSERT
16	SG02-534HD	1set	3 1/2" PH-6 12.95# INSERT
16	SG02-5356HD	1set	XT-39 F/ 4 7/8" TJ INSERT
16	SG02-5358HD	1set	XT-39 F/ 4 15/16" TJ INSERT
16	SG02-5359HD	1set	XT-43 F/ 5 3/8" TJ INSERT
16	SG02-536-1HD	1set	4" Full Hole INSERT
16	SG02-536-2HD	1set	3 1/2" IF F/ 4 7/8" TJ INSERT
16	SG02-5360HD	1set	DRILL PIPE F/ 6 1/2" TJ INSERT
16	SG02-5361HD	1set	DRILL PIPE F/ 7" TJ INSERT
16	SG02-5362HD	1set	DRILL PIPE F/ 7 1/4" TJ INSERT
16	SG02-5363HD	1set	DRILL PIPE F/ 8 1/4" TJ INSERT
16	SG02-5364HD	1set	DRILL PIPE F/ 8 1/2" TJ INSERT
16	SG02-536HD	1set	3 1/2" IF F/ 4 3/4" TJ INSERT
16	SG02-538HD	1set	4 1/2" PH-6 15.50# INSERT
16	SG02-539HD	1set	4 1/2" XH INSERT
16	SG02-540HD	1set	4 1/2" IF 6 5/8" TJ INSERT
16	SG02-541HD	1set	5" PH-6 20.3# INSERT
16	SG02-542HD	1set	5 1/2" PH-6 23# INSERT

COMPLETE STABBING GUIDES

PECO PN#	Description	WT.
SG1HD	2 3/8" PH-6™ (5.95#) Heavy Duty Stabbing Guide	8.35
SG2HD	2 7/8" PH-6™ (7.90#) Heavy Duty Stabbing Guide	7.8
SG5HD	XT-39 Heavy Duty Stabbing Guide for 4 7/8" TJ	6.3
SG6HD	3 1/2" IF Heavy Duty Stabbing Guide for 4 7/8" TJ	6.3

****CUSTOM SIZES AVAILABLE UPON REQUEST****

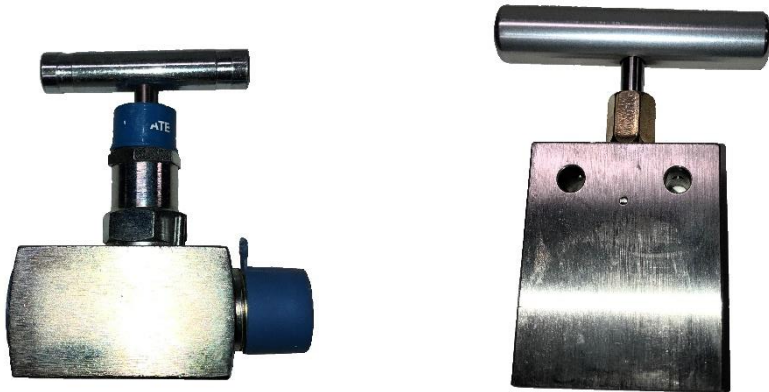




GAUGES AND NEEDLE VALVES



PECO PN#	SIZE / DESCRIPTION
3KGAUGE	3000 PSI ; 4" DIAL ; ½" BOT. PORT; LIQUID FILLED
5KGAUGE	5000 PSI ; 4" DIAL ; ½" BOT. PORT; LIQUID FILLED
10KGAUGE	10,000 PSI ; 4" DIAL ; ½" BOT. PORT; LIQUID FILLED
15KGAUGE	15,000 PSI ; 4" DIAL ; ½" BOT. PORT; LIQUID FILLED



PECO PN#	SIZE / DESCRIPTION
10KNDL-VLV	1/2" ; 10,000 PSI (MxF) NEEDLE VALVE
15KNDL-VLV	1/2" ; 15,000 PSI (FxF) NEEDLE VALVE

****OTHER SIZES AVAILABLE UPON REQUEST****

Thread Protectors

PECO PN#	SIZE / DESCRIPTION
238RDCB	2 3/8" EUE 8RD Connection (BOX)
238RDCP	2 3/8" EUE 8RD Connection (PIN)
238RDOP	2 3/8" EUE 8RD Connection (PIN)
23EUECB	2 3/8" Extra Heavy Duty EUE Connection (BOX)
23EUECP	2 3/8" Extra Heavy Duty EUE Connection (PIN)
23IFB	2 3/8" IF Connection (BOX)
23IFP	2 3/8" IF Connection (PIN)
23PACB	2 3/8" PAC Connection (BOX)
23PACP	2 3/8" PAC Connection (PIN)
23PH6CB	2 3/8" Extra Heavy Duty PH6 Connection (BOX)
23PH6CP	2 3/8" Extra Heavy Duty PH6 Connection (PIN)
23REGB	2 3/8" Regular Connection (BOX)
23REGP	2 3/8" Regular Connection (PIN)
278RDCB	2 7/8" EUE 8RD Connection (BOX)
278RDCP	2 7/8" EUE 8RD Connection (PIN)
27EUECB	2 7/8" Extra Heavy Duty EUE Connection (BOX)
27EUECP	2 7/8" Extra Heavy Duty EUE Connection (PIN)
27IFB	2 7/8" IF Connection (BOX)
27IFP	2 7/8" IF Connection (PIN)
27PACB	2 7/8" PAC Connection (BOX)
27PACP	2 7/8" PAC Connection (PIN)
27PH6CB	2 7/8" Extra Heavy Duty PH6 Connection (BOX)
27PH6CP	2 7/8" Extra Heavy Duty PH6 Connection (PIN)
27REGB	2 7/8" Regular Connection (BOX)
27REGP	2 7/8" Regular Connection (PIN)

PECO PN#	SIZE / DESCRIPTION
34EUECB	3 1/2" Extra Heavy Duty EUE Connection (BOX)
34EUECP	3 1/2" Extra Heavy Duty EUE Connection (PIN)
34FHB	3 1/2" Full Hole Connection (BOX)
34FHP	3 1/2" Full Hole Connection (PIN)
34IFB	3 1/2" IF Connection (BOX)
34IFP	3 1/2" IF Connection (PIN)
34REGB	3 1/2" Regular Connection (BOX)
34REGP	3 1/2" Regular Connection (PIN)
40IF44XHB	4" IF/4 1/2" XH Connection (BOX)
40IF44XHP	4" IF/4 1/2" XH Connection (PIN)
44FHB	4 1/2" Full Hole Connection (BOX)
44FHP	4 1/2" Full Hole Connection (PIN)
44IF50XHB	4 1/2" IF/5" XH Connection (BOX)
44IF50XHP	4 1/2" IF/5" XH Connection (PIN)
65REGB	6 5/8" Regular Connection (BOX)
65REGP	6 5/8" Regular Connection (PIN)
65REGLHB	6 5/8" Regular Left Hand Connection (BOX)
65REGLHP	6 5/8" Regular Left Hand Connection (PIN)
XT39TPB	4" XT-39 Heavy Duty (BOX)
XT39TPP	4" XT-39 Heavy Duty (PIN)
1502TPP2	2" 1502 Hammer Union (PIN)
1502TPP3	3" 1502 Hammer Union (PIN)



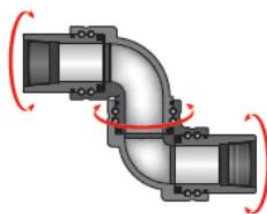
****OTHER SIZES AVAILABLE UPON REQUEST****

Swivel Joints

DESCRIPTION	PECO PN#	
	SILVER 6,000#	RED 15,000#
1" Style 10 Swivel Joint	SJ11S	SJ11R
1" Style 20 Swivel Joint	SJ12S	SJ12R
1" Style 30 Swivel Joint	SJ13S	SJ13R
1" Style 40 Swivel Joint	SJ14S	SJ14R
1" Style 50 Swivel Joint	SJ15S	SJ15R
1" Style 60 Swivel Joint	SJ16S	SJ16R
1" Style 70 Swivel Joint	SJ17S	SJ17R
1" Style 80 Swivel Joint	SJ18S	SJ18R
1" Major Repair Kit	MARK1S	MARK1R
1" Packing	PACK1S	PACK1R
<hr/>		
2" Style 10 Swivel Joint	SJ21S	SJ21R
2" Style 20 Swivel Joint	SJ22S	SJ22R
2" Style 30 Swivel Joint	SJ23S	SJ23R
2" Style 40 Swivel Joint	SJ24S	SJ24R
2" Style 50 Swivel Joint	SJ25S	SJ25R
2" Style 60 Swivel Joint	SJ26S	SJ26R
2" Style 70 Swivel Joint	SJ27S	SJ27R
2" Style 80 Swivel Joint	SJ28S	SJ28R
2" Major Repair Kit	MARK2S	MARK2R
2" Packing	PACK2S	PACK2R
<hr/>		
3" Style 10 Swivel Joint	SJ31S	SJ31R
3" Style 20 Swivel Joint	SJ32S	SJ32R
3" Style 30 Swivel Joint	SJ33S	SJ33R
3" Style 40 Swivel Joint	SJ34S	SJ34R
3" Style 50 Swivel Joint	SJ35S	SJ35R
3" Style 60 Swivel Joint	SJ36S	SJ36R
3" Style 70 Swivel Joint	SJ37S	SJ37R
3" Style 80 Swivel Joint	SJ38S	SJ38R
3" Major Repair Kit	MARK3S	MARK3R
3" Packing	PACK3S	PACK3R

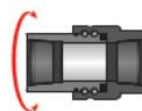
STYLE 10

3 swivels + 2 elbows



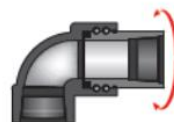
STYLE 20

single swivel coupling



STYLE 30

swivel coupling + 1 elbow



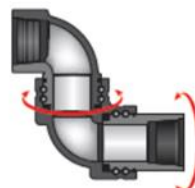
STYLE 40

swivel coupling + 2 elbow



STYLE 50

2 swivels + 2 elbows



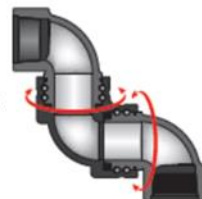
STYLE 60

2 swivel + 1 elbows



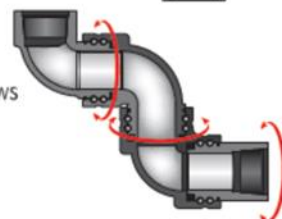
STYLE 70

2 swivels + 3 elbows



STYLE 80

3 swivels + 3 elbows



OTECO STYLE PRESSURE RELIEF VALVES

COMPLETE VALVES

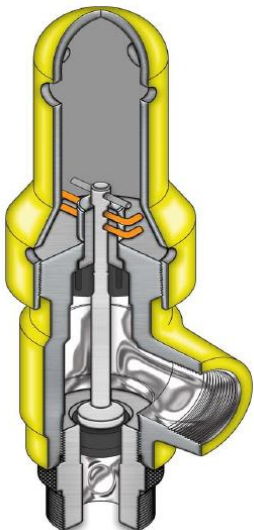
PECO PN#	Description
ORV205	2" Oteco Style Shear Relief Valve, 125-500 PSI
ORV210	2" Oteco Style Shear Relief Valve, 250-1,000 PSI
ORV213	2" Oteco Style Shear Relief Valve, 500-1,250 PSI
ORV227	2" Oteco Style Shear Relief Valve, 1,000-2,500 PSI
ORV250	2" Oteco Style Shear Relief Valve, 1,000-5,000 PSI
ORV210K	2" Oteco Style Shear Relief Valve, 6,200-10,000 PSI
ORV327	3" Oteco Style Shear Relief Valve, 500-2,750 PSI
ORV350	3" Oteco Style Shear Relief Valve, 500-5,000 PSI

SHEAR PINS

PECO PN#	Description
OSP03	Brown/ #3 Shear Pin - 2" Oteco Style
OSP04	Pink/ #4 Shear Pin - 2" Oteco Style
OSP06	Yellow/ #6 Shear Pin - 2" Oteco Style
OSP08	Purple/ #8 Shear Pin Set - 2" Oteco Style
OSP12	White/ #12 Shear Pin Set - 2" Oteco Style
OSP16	Blue/#16 Shear Pin - 2" & 3" Oteco Style
OSP20	Red/ #20 Shear Pin - 2" & 3" Oteco Style
OSP30	Grey/ #30 Shear Pin - 2" & 3" Oteco Style
OSP40	Green/ #40 Shear Pin - 2" & 3" Oteco Style
OSP45	Silver/#45 Shear Pin - 2" & 3" Oteco Style
OSP50	Black/#50 Shear Pin - 2" & 3" Oteco Style
OSP60	Orange/ #60 Shear Pin - 2" & 3" Oteco Style
OSP5K	Assorted Shear Pin Set - 2" & 3" (5,000 PSI)
OSP10K	Assorted Shear Pin Set - 2" & 3" (10,000 PSI)

****1502 CONNECTION AVAILABLE UPON REQUEST****

****MAJOR REPAIR KITS AND PARTS AVAILABLE****



LOW PRESSURE	Shear Pin #		3	4	6	8	12	16
	Pin Color		Brown	Pink	Yellow	Purple	White	Blue
	2" - 500#	1 Pin	125	200	250	300	425	500
	2" - 1,000#	1 Pin	250	400	500	600	850	1000

HIGH PRESSURE	Shear Pin #		16	20	30	40	45	50	60
	Pin Color		Blue	Red	Grey	Green	Silver	Black	Orange
	2" - 1,250#	1 Pin	500	625	750	875	1000	1125	1250
	2" - 2,500#	1 Pin	1000	1250	1500	1750	2000	2250	2500
	2" - 5,000#	1 Pin	1000	1250	1500	1750	2000	2250	2500
		2 Pins	2000	2500	3000	3500	4000	4500	5000
	2" - 10,000#	1 Pin	6200	8600	10000	-	-	-	-
	3" - 2,500#	1 Pin	500	625	750	875	1000	1125	1250
		2 Pins	1000	1250	1500	1750	2000	2250	2500
	3" - 5,000#	1 Pin	1000	1250	1500	1750	2000	2250	2500
		2 Pins	2000	2500	3000	3500	4000	4500	5000



DEMCO STYLE PRESSURE RELIEF VALVES

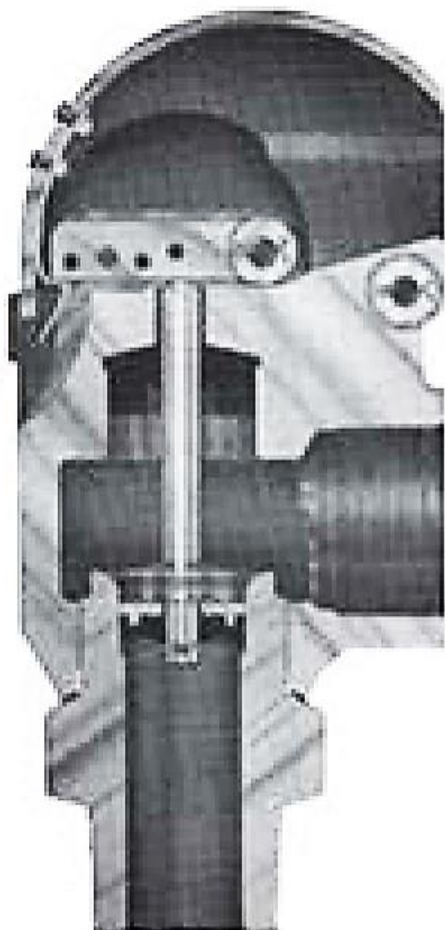
COMPLETE VALVES

PECO PN#	DESCRIPTION
DRV210	2" Demco Style Shear Relief Valve, 1,000 PSI
DRV227	2" Demco Style Shear Relief Valve, 2,750 PSI
DRV250	2" Demco Style Shear Relief Valve, 5,000 PSI
DRV340	3" Demco Style Shear Relief Valve, 4,000 PSI
DRV350	3" Demco Style Shear Relief Valve, 5,000 PSI
DRV375	3" Demco Style Shear Relief Valve, 7,500 PSI

SHEAR PINS

PECO PN#	DESCRIPTION
DSP06	Olive/ #6 Shear Pin - 2" Demco Style, 1,000 PSI
DSP10	Copper/#10 Shear Pin - 2" Demco Style,
DSP30	Black/ #30 Shear Pin - 2" & 3" Demco Style
DSP40	Yellow/ #40 Shear Pin - 2" & 3" Demco Style
DSP50	Sliver/ #50 Shear Pin - 2" & 3" Demco Style
DSP60	Copper/ #60 Shear Pin - 2" & 3" Demco Style
DSP2A	Assorted Shear Pin Set - 2" Demco Style
DSP3A	Assorted Shear Pin Set - 3" Demco Style

****MAJOR REPAIR KITS AND PARTS AVAILABLE****



Plug Valves



VALVES

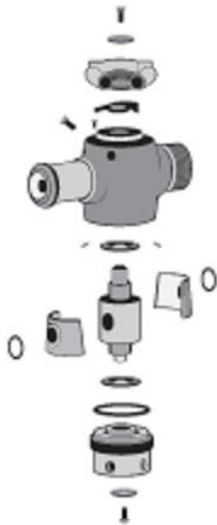
PECO PN#	DESCRIPTION
PV1A	2" x 1" 15M (Male x Female) Integral W/ 1502 Union Connection
PV2	2" x 2" 15M (Male x Female) Integral W/ 1502 Union Connection
PV2A	2" x 2" 10M (Threaded x Female) W/ Line Pipe (LP) Connection

****OTHER SIZES & CONNECTIONS AVAILABLE UPON REQUEST****



PARTS

PECO PN#	DESCRIPTION
PVHA1	2" x 1" Handle
PVHA2	2" Handle
PVIN1	1" Insert Set
PVIN2	2" Insert Set
PVPL1	1" Replacement Plug
PVPL2	2" Replacement Plug
PVRK1	1" Rebuild Kit (inserts, plugs, and seal kit)
PVRK2	2" Rebuild Kit (inserts, plugs, and seal kit)
PVSC2	2" Stop Collar
PVSK1	1" Seal Kit
PVSK2	2" Seal Kit

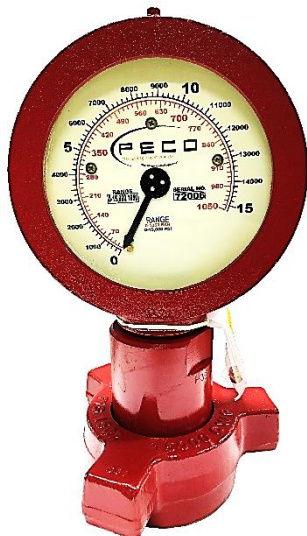




Mud Gauges

Type D, Model 7 Mud Pressure Gauge

PECO PN#	DESCRIPTION
MGD21MT	2" Male Threaded Connection 1,000 PSI
MGD23MT	2" Male Threaded Connection 3,000 PSI
MGD25MT	2" Male Threaded Connection 5,000 PSI
MGD26MT	2" Male Threaded Connection 6,000 PSI
MGD31MT	3" Male Threaded Connection 1,000 PSI
MGD33MT	3" Male Threaded Connection 3,000 PSI
MGD35MT	3" Male Threaded Connection 5,000 PSI
MGD36MT	3" Male Threaded Connection 6,000 PSI
MGDF	Flanged Connection (SPECIFY PRESSURE)
MGDWN	1502 Wingnut Connection (SPECIFY PRESSURE)



Type F, Model 6 Mud Pressure Gauge

PECO PN#	DESCRIPTION
MGF21FT	1" Female Threaded Connection 1,000 PSI
MGF23FT	1" Female Threaded Connection 3,000 PSI
MGF26FT	1" Female Threaded Connection 6,000 PSI
MGF21MT	2" Male Threaded Connection 1,000 PSI
MGF23MT	2" Male Threaded Connection 3,000 PSI
MGF26MT	2" Male Threaded Connection 6,000 PSI
MGF210MT	2" Male Threaded Connection 10,000 PSI
MGF26WN	2" 1502 Wingnut Bottom 6,000 PSI
MGF210WN	2" 1502 Wingnut Bottom 10,000 PSI
MGF215WN	2" 1502 Wingnut Bottom 15,000 PSI
MGF36WN	3" 1502 Wingnut Bottom 6,000 PSI
MGF310WN	3" 1502 Wingnut Bottom 10,000 PSI
MGF315WN	3" 1502 Wingnut Bottom 15,000 PSI
MGF5F	5,000 PSI Flanged Connection
MGF10F	10,000 PSI Flanged Connection



Type E, Mud Pressure Gauge

PECO PN#	DESCRIPTION
MGE215WN	Type E, Mud Pressure Gauge with 2" 1502 Wingnut Bottom 15,000 PSI

****OTHER SIZES AVAILABLE UPON REQUEST****

****GAUGES CAN BE REBUILT****

Lifting Bails



PECO PN#	DESCRIPTION
LB34IFB	3 1/2" IF (Box)
LB34IFP	3 1/2" IF (Pin)
LB40IF44XHB	4"IF/4 1/2 XH (Box)
LB40IF44XHP	4"IF/4 1/2 XH (Pin)
LB44IFB	4 1/2" IF (Box)
LB44IFP	4 1/2" IF (Pin)
LB65LHB	7 5/8" Regular Left Hand (Box)
LB65LHP	6 5/8" Regular Left Hand (Pin)
LBXT39B	4" XT39 (Box)
LBXT39P	4" XT39 (Pin)

****OTHER SIZES & CONNECTION TYPES AVAILABLE UPON REQUEST****



LUBRICANTS & CLEANING TOWELS



AEROSOLS

PECO PN#	DESCRIPTION
PMOLY	DRY MOLY – HIGH TEMP
PCOPPER	ANTI-SEIZE COPPER
PBRAKE	BRAKE CLEAN
PPENOIL	PENETRATING OIL
PLUBETFE	PENETRATING LUBE w/ PTFE

PAILS

PECO PN#	DESCRIPTION
MFTC5	5 GAL. METAL FREE THREAD COMPOUND
MFTC2	2 GAL. METAL FREE THREAD COMPOUND
MFTC2A	2 GAL. METAL FREE THREAD COMPOUND *ARTIC GRADE*
PTOWEL	ALL PURPOSE HAND TOWELS



Rough Cut Oak Lumber



		STOCK LENGTHS									
		2'	3'	4'	5'	6'	8'	10'	12'	14'	16'
STOCK SIZES	2" x 12"										
	3" x 12"										
	4" x 4"										
	6" x 6"										
	6" x 16"										
	8" x 8"										
	10" x 10"										
	12" x 12"										
	18" x 18"										

We Can Cut To Customer Specified Length.

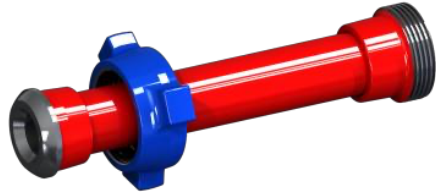


Also Available & In Stock

Hammer Unions & Seals



PUP Joints



Casing Scrapers & Parts



**Mud Pump Liners
& Other Consumables**





**POWER SWIVELS
&
PARTS**



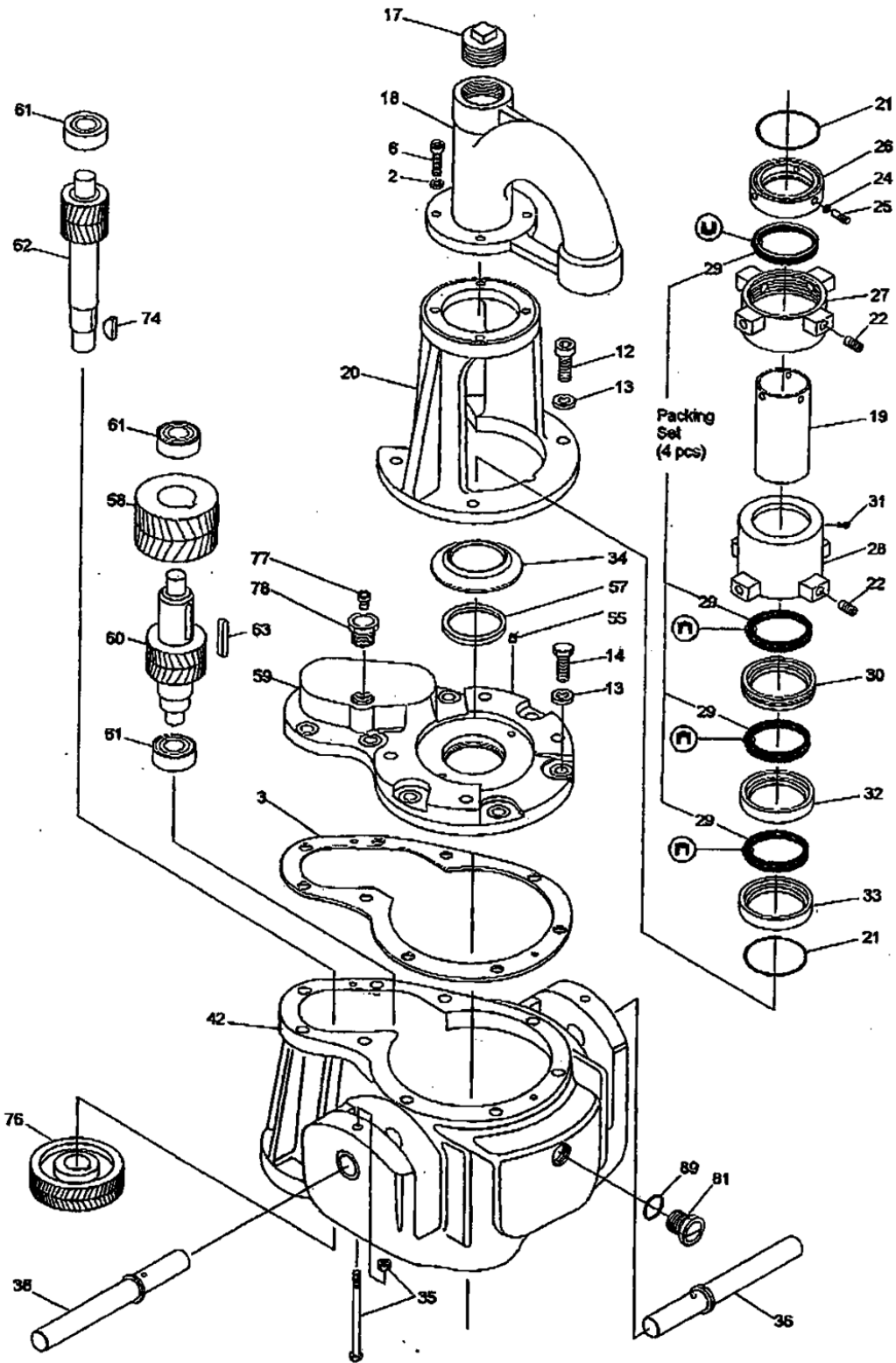
**PARTS FOR BOWEN S-2.5
(85ton) POWER SWIVEL**



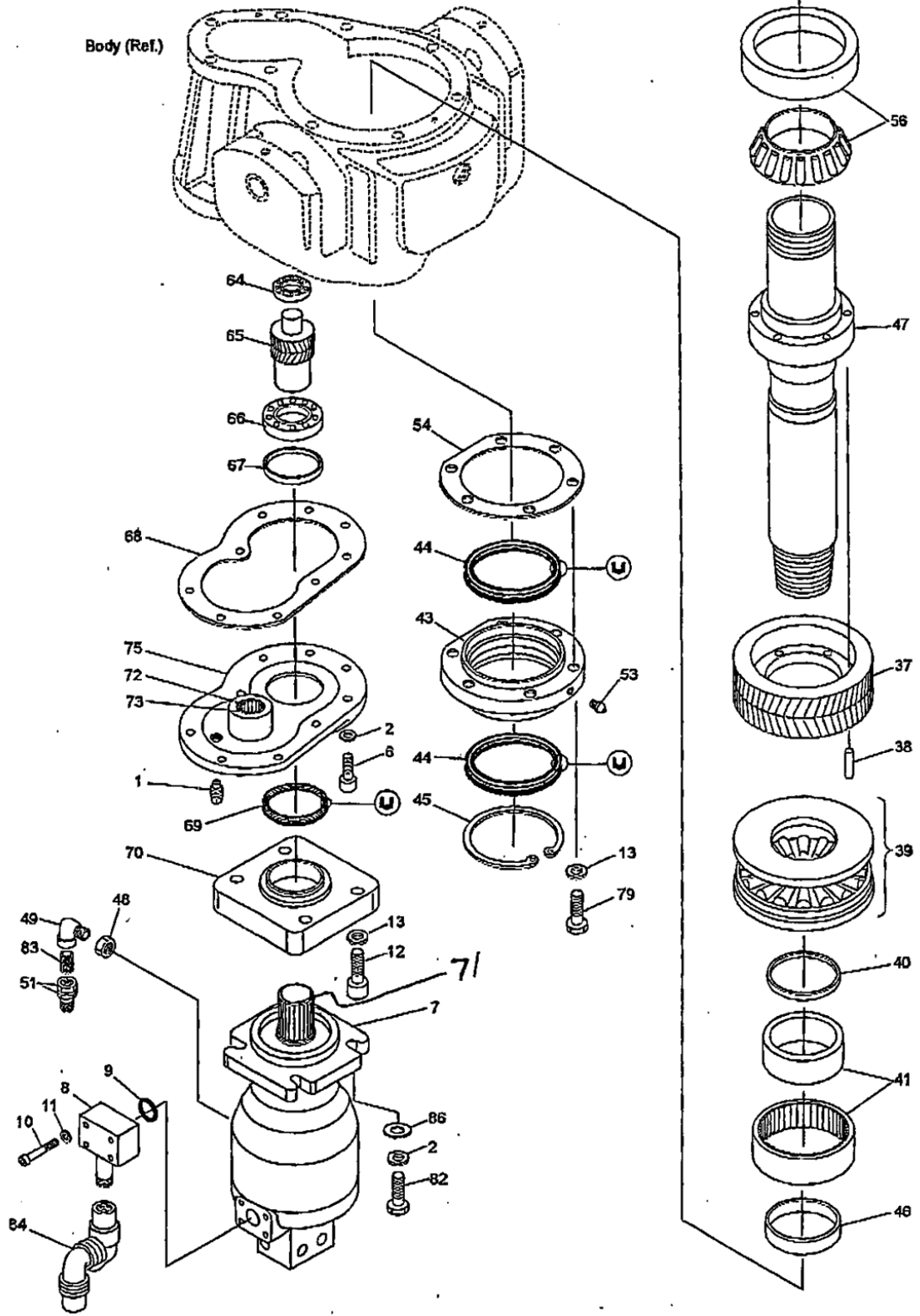
ITEM	PECO PN#	QTY	Description
1	20627P	1	3/4" Magnetic Drain Plug
2	31827	16	1/2" Lock washer
3	57819P	1	Shim Set
4	51412P	1	Pull Pin Torque Reins
5	SAL2.5	1	Long Stiff Arm
5	SAS2.5	1	Short Stiff Arm
6	22353	14	1/2"-13 x 1 1/2" Long, Socket Head Cap Screw
7	62819P	1	Hydraulic Motor
8	59856P	2	Motor Blocks W/ O-Ring
9	6227-24P	2	Motor Blocks W/ O-Ring
10	59894P	8	3/8" 16 X 2-3/4" Socket Head (Motor)
11	31826	8	3/8" lock washer
12	12019P	8	1/2" 13 X 1-1/2" Socket Head (Lower plate)
13	31828	23	5/8" Lock washer
14	23901P	9	5/8" 11 X 1-1/2 Hex Cap Screws
NOT SHOWN	22344P	2	Dowel Pin
NOT SHOWN	31202P	1	Elevator Bail
17	22377P	1	Gooseneck Pipe Plug
18	82090P	1	Gooseneck Floater
19	FLOW2.5	1	Floating Washpipe
20	82091P	1	Bonnet Floater
21	6230-14P	2	O-Ring For Brass (INCLUDED IN PACKING KIT)
22	NSES	8	Nylon Tip Set Screws for Washpipe
NOT SHOWN	82102P	8	Packing Nut Lock Screw
24	OSES	3	O-Ring for Set Screws (pn# SES)
25	SES	3	Set Screws for Floating Washpipe
26 / 30 32 / 33	BRFLO2.5	1ea	Brass Set for Floating Washpipe includes Upper Packing Nut, Spacer & Lantern Ring, Plain Spacer Ring, and Packing Bottom Ring
27	82093P	1	Floater Upper Washpipe Packing Nut
28	82092P	1	Floater Lower Washpipe Packing Nut
29	HAP2.5	1	Hard Packing
29	MEP2.5	1	Medium Packing
29	SOP2.5	1	Soft Packing
31	27636P	1	Packing Nut Grease Fitting
34	44482P	1	Seal Protector Stem
35	31843P	2	Bail Pin Groove Pin
36	51156P	2	Bail Pins
37	56921P	1	Main Gear
38	20746P	6	Ring Gear Groove Pins
39	20489P	1	Load Bearing
40	58640P	1	Spacer Ring Stem
41	20607P	1	Lower Stem Bearing & Race
42	BO2.5	1	Body
43	58641P	1	Lower Bearing Retainer Stem
44	20622P	2	Lower Oil Seal
45	30361P	1	Lower Stem Oil Seal Snap Ring

ITEM	PECO PN#	QTY	Description
46	20615P	1	Lower Stem Wear Ring
47	44481NP	1	New Style Stem
47	44481P	1	Old Style Stem (Slots)
48	61527P	1	#10 o-ring x #12 fp adapter
49	47262P	1	3/4" St. Elbow
51	25097P	1	3/4" Male quick Disconnect
53	53955P	1	Oil Seal Grease Fitting
54	46155P	1	Lower Bearing Retainer Gasket
55	10641	2	Socket Head Pipe Plug
56	20488P	1	Upper Stem Bearing & Race3
57	58620P	1	Upper Oil Seal
58	56121P	1	2nd Reduction Upper Slider Gear
59	57735P	1	Upper Gear Cover Plate
60	56130P	1	Final Reduction Upper Main Gear Pinion
61	56148P	3	Roller Bearings
62	56146P	1	2nd Reduction "Long Skinny" Pinion
63	57750P	1	Cluster Gear Key
64	56151P	1	Upper Motor Drive Gear Bearing
65	56973P	1	1st Reduction "Mt. Drive" Pinion
66	56150P	1	Lower Motor Drive Gear Bearing
67	58644P	1	1st Reduction Pinion Spacer
68	58621P	1	Lower Gear Cover Gasket
69	56152P	1	Motor Drive Oil Seal
70	61526P	1	Motor Adaptor Plate
71	72379P	1	Motor Shafter Adaptor
72	56154P	1	Retainer Ring
73	25158P	1	Lower plate Bearing
74	56156P	1	Long Gear Key
75	57659P	1	Lower Gear Cover Plate
76	56972P	1	First Reduction Lower Slider Gear
77	22177P	1	Relief Vent
78	25389P	1	3/4" Tapped for 1/8" Vent Relief
79	23902P	6	5/8-11 X 1 3/4 Large Hex Head Cap Screws
NOT SHOWN	20605P	1	Saver Sub
81	73109P	1	1/2" NPT Gear Box Sight Glass
82	26539	4	1/2"-13 x 1 1/2" Long, HEX Head Cap Screw
83	35768	1	3/4" Close Nipple
84	SJ11R / SJ11S	2	Style 10 Swivel Joint
85	405	1	Clevis
86	46719P	4	1/2" Special Motor Washers
88	25003P	1	Guard
89	55061P	1	Gear Box Sight Glass 3/4" O-Ring
NOT SHOWN	TRRA2.5	1	Torque Rein Roller Assembly

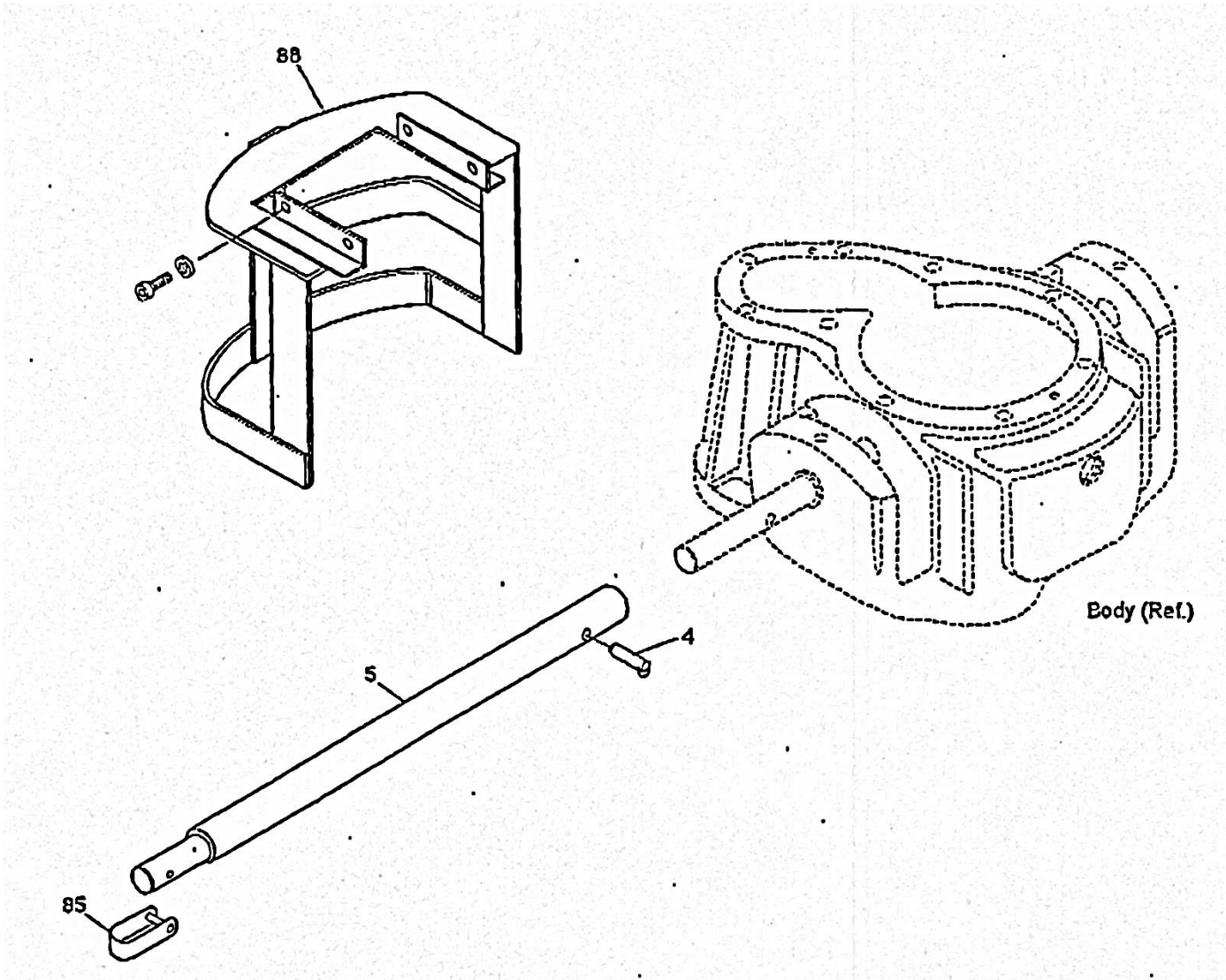
PARTS FOR BOWEN S-2.5 (85ton) POWER SWIVEL



PARTS FOR BOWEN S-2.5 (85ton) POWER SWIVEL



**PARTS FOR BOWEN S-2.5
(85ton) POWER SWIVEL**



PARTS FOR BOWEN S-3.5 (120ton) POWER SWIVEL



ITEM	PECO PN#	QTY.	DESCRIPTION
1	568-243P *	2	Packing Nut O-Ring
2	BRFLO3.5	1 set	Brass Set for Floating Washpipe
2a	83787P **	1	Upper Packing Nut Ring
2b	72357P **	1	Lantern-Spacer Ring Floater
2c	72358P **	1	Spacer Ring Floater
2d	83790P **	1	Bottom Ring Floater
3	OSES *	3	O-Ring for Set Screws (pn# SES)
4	SES	3	Set Screws w/ O-ring Groove
5	83788P	1	Upper Packing Nut
6	NSES	8	Nylon Tip Set Screws
7	FLOW3.5	1	Floating Washpipe
8	27636P	1	Packing Nut Grease Fitting
9	83789P	1	Lower Packing Nut
13	HAP3.5	1 set	Hard Packing
13	MEP3.5	1 set	Medium Packing
13	SOP3.5	1 set	Soft Packing
14	23040P	15	3/4" - X 2 Cap Screw
15	-	1	Gooseneck Plug
16	83785P	1	Gooseneck
17	23002P	7	1/2" - 13 X 2 Cap Screw
18	31827P	7	1/2" Lock Washer
19	83786P	1	Bonnet
20	23045P	6	3/4" - 10 X 3 1/4 Cap Screw
21	-	32	3/4" Lock Washer
22	25389P	1	Upper Oil Filler Plug
23	23039P	5	3/4"-10 X 1 3/4 Cap Screw
24	22177P	1	Relief Fitting
25	59300P	1	Top Plate
26	27287P	1	Shim Set
27	27275P	1	Upper Gear Cover Gasket
28	44165P	1	Stem Seal Protector
29	59281P	2	Roller Bearing
30	59592P	1	Cluster Gear Third Stage Shaft & Gear
31	59593P	1	Long Gear Third Stage Shaft & Pinion
32	59347P	1	Second Stage Shaft Key
33	59346P	1	Lower SLlder First Reduction Gear
34	59530P	1	Lower Plate Bearing
35	20627P	1	Magnetic Drain Plug
36	27276P	1	Lower Gear Cover Gasket
37	59531P	1	Lower Plate
38	-	-	Dowel Pin
39	59299P	1	Body
40	59280P	2	Upper Motor Drive Gear Bearings
41	59795P	2	First Red Gear Spacer
42	59294P	2	Motor Drive Gear First Reduction Pinion

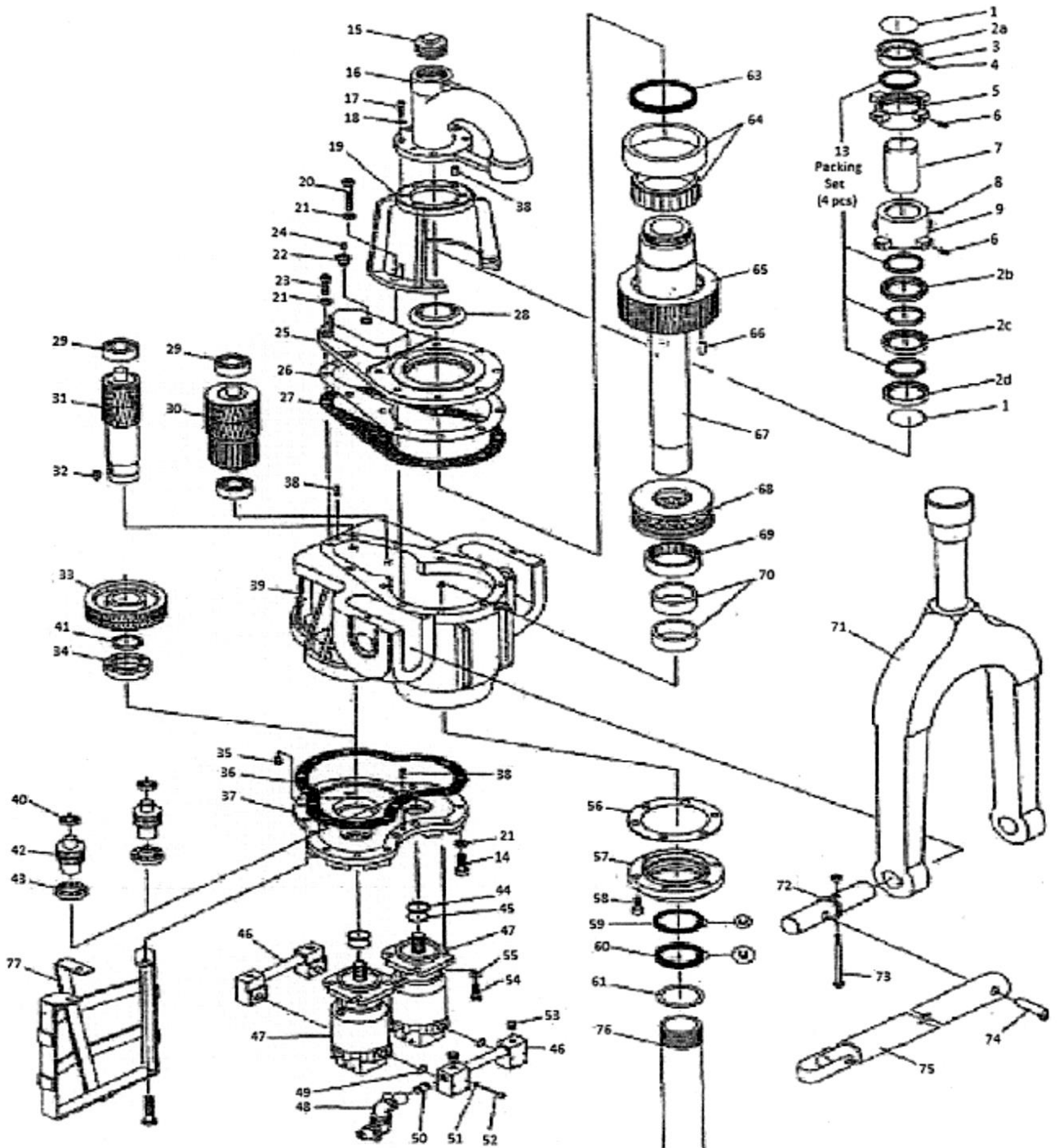
ITEM	PECO PN#	QTY.	DESCRIPTION
43	59708P	2	Lower Motor Drive Gear Bearings
44	59781P	2	Motor Drive Gear Oil Seal
45	20001P	2	Motor Drive Gear Snap-Rings
46	35007P	2	Motor Mainfolds
47	-	2	Motor
48	65439P	1	1 1/4 Style 10 Swivel Joint
49	-	4	Manifold O-Ring
50	-	4	1 1/4" Connector
51	35008P	16	3/8 Lock Washers
52	25894P	16	3/8"-16 X 2 3/4 Cap Screws
53	-	-	3/4" O-Ring Plug
54	23881P	-	1/2" - 13 X 1 1/2 Hex Bolt
55	46719P	-	1/2" Motor Special Flat washer
56	-	1	Seal Plate Gasket
57	27228P	1	Seal Plate
58	23038P	-	3/4" - 10 X 11 1 1/2 Cap Screw
59	27286P	1	Lower Stem Inner Oil Seal
60	27416P	1	Lower Stem Outer Oil Seal
61	30362P	1	Lower Stem Spiralox Oil Seal
63	27285P	1	Upper Stem Oil Seal
64	27277P	1	Upper Stem Bearing & Race
65	27208P	1	Main Drive Gear
66	27238P	-	Ring Gear Groove Pin
67	44164P	1	Stem
68	27279P	1	Load Bearing
69	27426P	1	Lower Stem Bearing
70	27278P	2	Lower Stem Race
71	46690P	1	Elevator Bail
72	31482P	2	Bail Pin
73	35003P	2	Bail Pin Bolt & Nut
74	51413P	1	Torque Rein Pull Pin
75	SAL3.5	1	Long Stiff Arm (Torque Rein)
75	SAS3.5	1	Short Stiff Arm (Torque Rein)
76	72197P	1	Saver Sub
77	GD3.5	1	Guard
‡	31844P	-	Bail Pin Groove Pin
‡	35000P	-	1" Female Quick Disconnect
‡	35004P	-	1 1/4 Male High Press Q.D.
‡	35005P	-	1 1/4 Female High Press Q.D.
‡	35006P	-	5 Gallon Gear Lube
‡	99193P	-	Speedi-Sleeve Motor Drive
‡	99549P	-	Speedi-Sleeve Stem Seal
‡	BRFLA3.5	-	Brass Set for Flanged Washpipe
‡	FLAW3.5	-	Flanged Washpipe

‡ NOT SHOWN

*INCLUDED IN THE PACKING SET

** SOLD AS A SET ITEM

PARTS FOR BOWEN S-3.5 (120ton) POWER SWIVEL





PARTS FOR BOWEN S-45 POWER SWIVEL

ITEM #	PECO PN#	QTY	DESCRIPTION
60	12006P	7	3/8 - 16 N.C. X 1" Large Hex Head
29	201570P	1	Body
33	201571P	1	Lower Bearing Retainer
27	201572P	1	Stem
30	201573P	2	Wear Ring & Inner Race Lower Seal
31	201574P	1	Lower Bearing Stem
not shown	201575P	2	Inner & Outer Lower Oil Seal (some models)
37	201576P	1	Snap Ring Seal Retainer
32	201577P	1	Lower Bearing Retainer Gasket Stem
38	201578P	1	Saver Sub
39	20627P	1	3/4 Magnetic Drain Plug
20	22177P	1	Oil Filter Relief Fitting
36	22487P	2	Inner Lower Oil Seal
28	22584P	1	Main Thrust Bearing (load bearing)
1	22604P	1	1 1/2 - 3000lb Pipe Plug
not shown	22901P	2	1" Close Nipple (some models)
35	22934P	6	3/8 - 16 N.C. X 1/4" Large Hex Head Screw
18	23000P	16	1/2 - 13 N.C x 1 1/2 Large Socket Head Set Screws
9	NSES	8	1/2" -13 NC x 3/8" Large Socket Head Set Screws
57	27439P	2	1" S. A. E 4-Bold Flange
not shown	28189P	4	1/8 Pipe Plug (some models)
41	29312P	1	Bail Pin Groove Pin
43	30381P	1	Telescoping Torque Rein (STIFF ARM)
34	31826P	21	3/8 Lock washer
19	31827P	16	1/2 Lock washer
44	35688P	2	Bail Pin
10	49364P	2	Alemite Fitting Washpipe Packing
42	51411P	1	Torque Rein Pull Pin
not shown	6227-36P	1	O-Ring (some models)
3	6230-8P	1	O-Ring
15	6230-9P	1	O-Ring
not shown	72465P	2	1" 90 Degree Ell - 2000 lb. (some models)
47	72476P	1	Ball bearing

ITEM #	PECO PN#	QTY	DESCRIPTION
55	72477P	1	Gear (21 teeth)
53	72478P	1	Spacer
54	72479P	1	Gear (46 Teeth)
52	72480P	1	Woodruff Key 1009
48	72481P	1	17 Teeth Pinion
25	72482P	1	Main Gear (62 Teeth)
26	72484P	1	1/2 x 3/8 x 1 15/32 Large Key
51	72488P	1	Ball Bearing
49	72489P	1	Bushing
50	72490P	1	Snap Ring
45	73109P	2	Oil Level Indicator Plug
8	73117P	1	Gooseneck Packing Nut
11	73118P	1	Lower packing nut (washpipe packing nut)
6	73119P	1	Gooseneck Seal Ring
5	73120P	1	Washpipe
16	73121P	1	Seal Protector
13	73122P	1	Lantern Ring
2	73123P	1	Gooseneck
21	73126P	1	Cover Plate
4	73127P	1	Bonnet
40	73128P	1	Elevator Bail
23	73195P	1	Upper Gear Cover Gasket
22	73196P	1	Upper Gear Cover Shim
24	73197P	1	Upper Bearing Stem
12	73198P	1	Washpipe Packing (6 pieces)
7	73199P	1	Gooseneck Packing
14	73200P	1	W.P Packing Seal Ring
17	73201P	1	Upper Oil Seal
46	76115P	2	5/8 x 1" Large Dowel Pin
not shown	76461P	1	Spirolox Ring (some models)
59	77537P	1	Hydraulic Motor
56	8229P	8	3/8 - 16 N.c. x 1 3/4 Large Socket Head Set Screws



VENTURETECH POWER SWIVEL

PECO PN#	Description
MEPXK90	PACKING FOR XK90 SWIVEL
MEPXK150/250	PACKING FOR XK150 /250 SWIVEL
FLOWXK90	FLOATING WASHPIPE FOR XK90 SWIVEL
FLOWXK150/250	WASHPIPE FOR XK150 /250 SWIVEL
BRFLOXK90	WASHPIPE BRASS FOR XK90 SWIVEL

PARTS & ASSEMBLIES ARE ALSO AVAILABLE FOR :

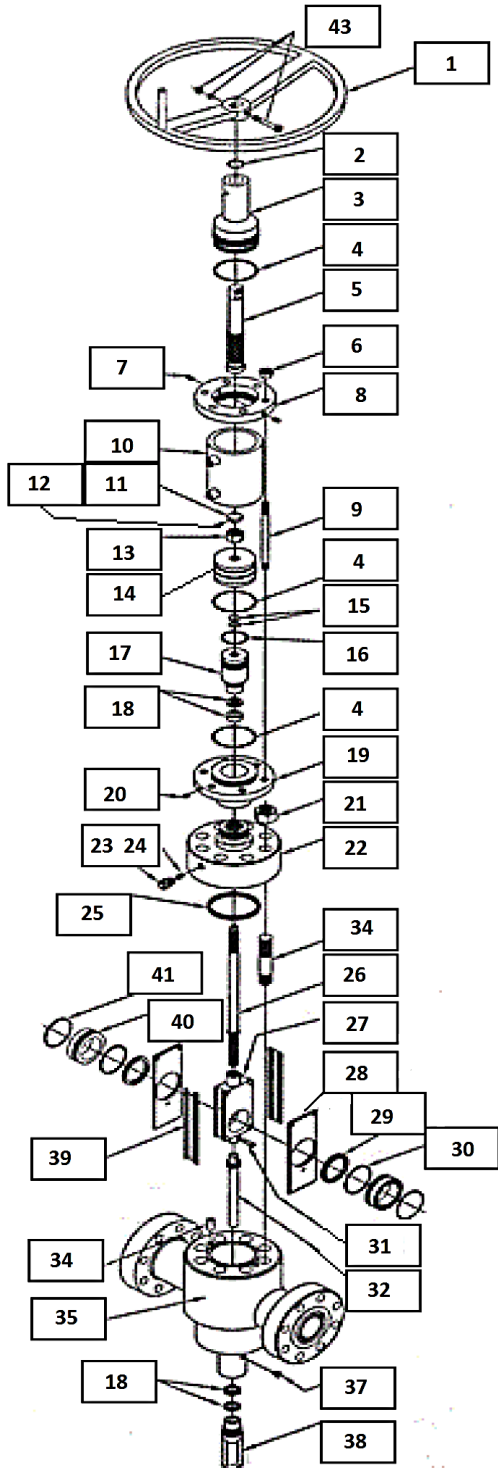
**All Bowen Styles
Venturetech Styles
&
MORE**



GATE VALVES

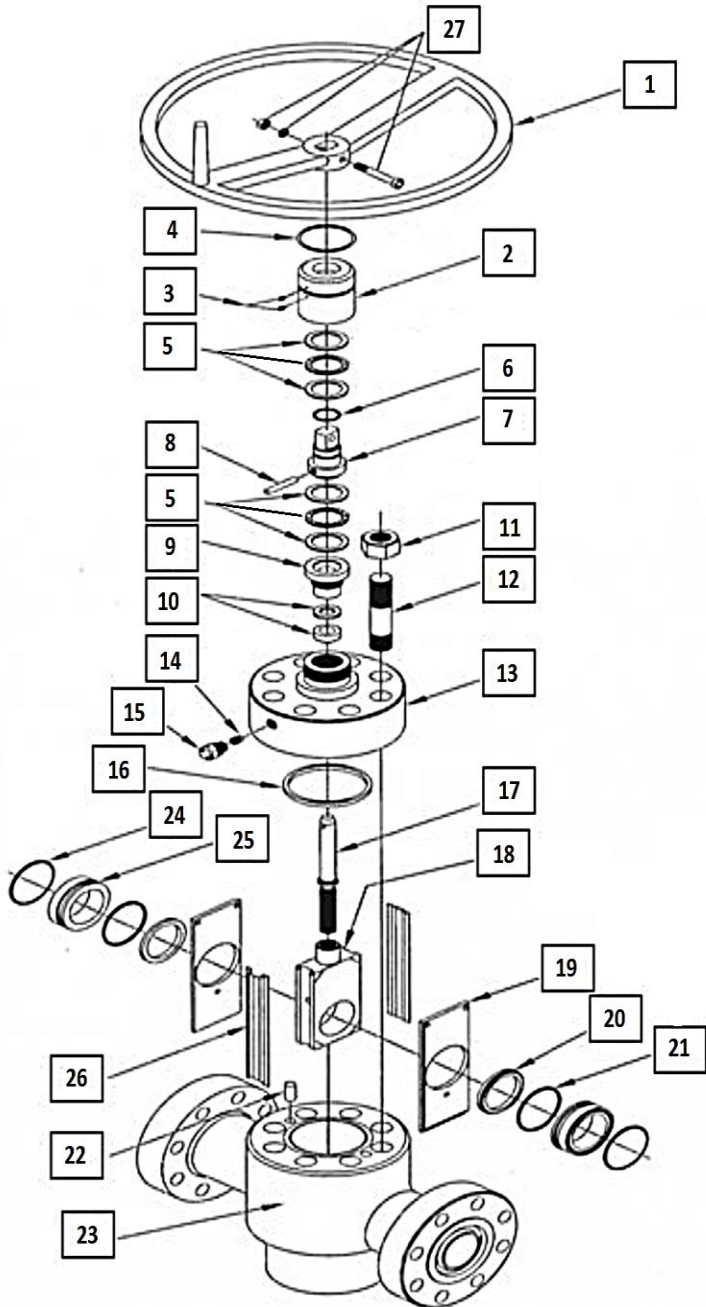


“FC” STYLE HYDRAULIC GATE VALVE



ITEM	PECO PN#	DESCRIPTION
1		HANDWHEEL
2		O-RING
3		ADJUSTING NUT
4		O-RING
5		LOCKING SCREW
6		CYLINDER HEAD NUT
7		SET SCREW
8		UPPER CYLINDER FLANGE
9		CYLINDER HEAD STUD
10		CYLINDER
11		CENTERING PIN
12		SET SCREW
13		PISTON LOCK NUT
14		PISTON
15		O-RING
16		O-RING
17		PACKING GLAND
18	GVFCPACKING	STEM PACKING
19		LOWER CYLINDER FLANGE
20		RELIEF VALVE
21		BONNET NUT
22		BONNET
23	GVGRSZERT	BONNET GREASE FITTING
24		BONNET CHECK VALVE
25	GVFCBSR	BONNET GASKET (BSR)
26	GVFCHSTEM	OPERATING STEM
27	GVFCHGATE	GATE
28	GVFCRETPLTE	RETAINER PLATE
29	GVFCSEAT	SEAT
30	GVFCSEATSEAL	SEAT SEAL
31		STEM PIN
32	GVFCHACCBALSTEM	BALANCING STEM
33		BONNET STUD
34	GVFCHSHEARPIN	PIN
35		BODY
37		PIPE PLUG
38		STEM PROTECTOR
39	GVFCGATEGUIDE	GATE GUIDES
40	GVFCBDYBUSH	BODY BUSHING
41	GVFCBDYBUSHSL	BODY BUSHING SEAL
42		HANDWHEEL BOLT

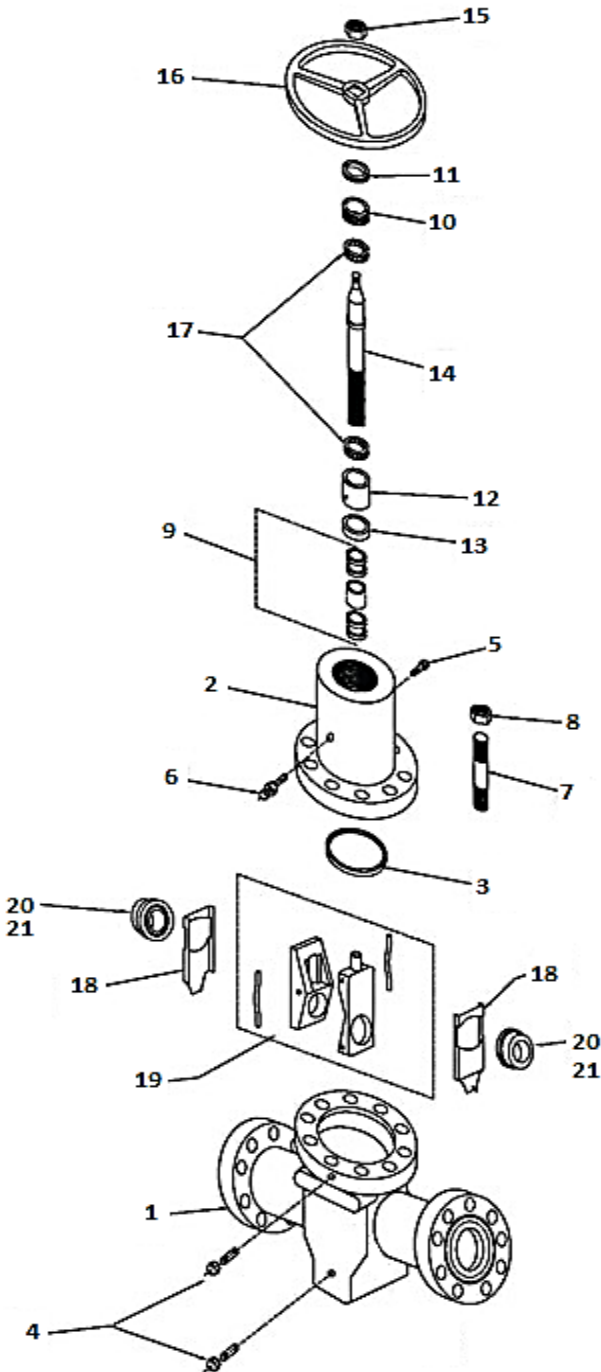
“FC” STYLE MANUAL GATE VALVE



ITEM	PECO PN#	DESCRIPTION
1		HANDWHEEL
2		BEARING CAP
3		GREASE FITTING
4		O-RING
5	GVFCMBEARING	BEARING & RACE
6		O-RING
7		STEM ADAPTER
8		STEM PIN
9		PACKING GLAND
10	GVFCPACKING	STEM PACKING
11		BONNET NUT
12		BONNET STUD
13		BONNET
14		BONNET CHECK VALVE
15	GVGRSZERT	BONNET GREASE FITTING
16	GVFCBSR	BONNET GASKET (BSR)
17	GVFCMSTEM	STEM
18	GVFCMGATE	GATE
19	GVFCRETPLTE	RETAINER PLATE
20	GVFCSEAT	SEAT
21	GVFCSEATSEAL	SEAT SEAL
22		PIN
23		BODY
24	GVFCBDYBUSHSL	BODY BUSHING SEAL
25	GVFCBDYBUSHSL	BODY BUSHING
26	GVFCGATEGUIDE	GATE GUIDES
27		HANDWHEEL BOLT



“WKM” STYLE MANUAL GATE VALVE



ITEM	PECO PN#	DESCRIPTION
1		BODY
2		BONNET
3	GVWKMBSR	BONNET GASKET (BSR)
4	GVGRSZERT	BONNET GREASE FITTING
5		ALEMITE FITTING
6		PACKING INJ. FITTING
7		BONNET STUD, TAP END
8		HEX NUT
9	GVWKMPACKING	PACKING SET
10		BEARING RETAINER NUT
11		BEARING RET. LOCK NUT
12		BEARING SPACER SLEEVE
13		PACKING RETAINER
14	GVWKMSTEM	STEM
15		HANDWHEEL NUT
16		HANDWHEEL
17		THRUST BEARING
18	GVWKMGGATEGUIDE	GATE GUIDES
19	GVWKMGATE	GATE ASSEMBLY
20	GVWKMSEAT	SEAT
21	GVWKMSEATORING	SEAT SEAL



DIES & INSERTS





ELEVATOR DIES / INSERTS

MYT Inserts

PECO PN#	Description
YIN1	2 7/8" Inserts (2 7/8" X 2 7/8") *8/SET*
YIN2	2 3/8" Inserts (2 3/8" X 2 7/8") *8/SET*
YIN3	2 1/16" Inserts (2.062" X 2 7/8") *8/SET*
YIN4	1 1/2" Inserts (1.900" X 2 7/8") *8/SET*
YIN5	1 1/4" Inserts (1.660" X 2 7/8") *8/SET*
YIN6	1" Inserts (1.315" X 2 7/8") *8/SET*
YIN7	3/4" Inserts (1.050" X 2 7/8") *8/SET*

LYT Inserts

PECO PN#	Description
LYTIN1	2 1/16" Inserts (2.062" X 2 1/16")*8/SET*
LYTIN2	1 1/2" Inserts (1.900" X 2 1/16") *8/SET*
LYTIN3	1 1/4" Inserts (1.660" X 2 1/16") *8/SET*
LYTIN4	1" Inserts (1.315" X 2 1/16") *8/SET*
LYTIN5	3/4" Inserts (1.050" X 2 1/16") *8/SET*

YT Inserts

PECO PN#	Description
YIN1	2 7/8" Inserts (2 7/8" X 2 7/8") *12/SET*
YIN2	2 3/8" Inserts (2 3/8" X 2 7/8") *12/SET*
YIN3	2 1/16" Inserts (2.062" X 2 7/8") *12/SET*
YIN4	1 1/2" Inserts (1.900" X 2 7/8") *12/SET*
YIN5	1 1/4" Inserts (1.660" X 2 7/8") *12/SET*
YIN6	1" Inserts (1.315" X 2 7/8") *12/SET*
YIN7	3/4" Inserts (1.050" X 2 7/8") *12/SET*
YIN8	2 7/8" Inserts (2 7/8" x 3 1/2") *24/SET*
YIN9	3 1/2" Inserts (3 1/2" x 3 1/2") *24/SET*
YIN10	2 3/8" Inserts (2 3/8" x 3 1/2") *24/SET*

HYT Inserts

PECO PN#	Description
YIN1	2 7/8" Inserts (2 7/8" X 2 7/8") *16/SET*
YIN2	2 3/8" Inserts (2 3/8" X 2 7/8") *16/SET*
YIN8	2 7/8" Inserts (2 7/8" x 3 1/2") *32/SET*
YIN9	3 1/2" Inserts (3 1/2" x 3 1/2") *32/SET*
YIN10	2 3/8" Inserts (2 3/8" x 3 1/2") *32/SET*

YC Inserts

PECO PN#	Description
YIN11	3 1/2" X 4 1/2" *16/SET*
YIN12	4" X 4 1/2" *16/SET*
YIN13	4 1/2" X 4 1/2" *16/SET*
YIN14	4" X 5 1/2" *16/SET*
YIN15	4 1/2" X 5 1/2" *16/SET*
YIN16	5" X 5 1/2" *16/SET*
YIN17	5 1/2" X 5 1/2" *16/SET*
YIN18	6 5/8" X 7" *24/SET*
YIN19	7" X 7" *24/SET*

HYC Inserts

PECO PN#	Description
YIN11	3 1/2" X 4 1/2" *24/SET*
YIN12	4" X 4 1/2" *24/SET*
YIN13	4 1/2" X 4 1/2" *24/SET*
YIN14	4" X 5 1/2" *36/SET*
YIN15	4 1/2" X 5 1/2" *36/SET*
YIN16	5" X 5 1/2" *36/SET*
YIN17	5 1/2" X 5 1/2" *36/SET*
YIN18	6 5/8" X 7" *48/SET*
YIN19	7" X 7" *48/SET*

*** ALL OTHER ELEVATOR DIE / INSERT CUTS AND SIZES ARE AVAILABLE UPON REQUEST. ***

POWER & MANUAL TONG DIES

Manual Tong Die

PECO PN#	Description
TDB	1/2" X 1-1/4" X 5-7/8" (BJ Type B & DB)
TDB-D	1/2" X 1-1/4" X 5-7/8" (BJ Type B & DB) *Diamond Tooth*
TDB-S	1/2" X 1-1/4" X 3-7/8" (BJ Type B Short Tongs with 1 1/4" Slot)
TDC	1/2" X 1-1/4" X 5" (BJ Type SDD, C, F and LF)
TDC-D	1/2" X 1-1/4" X 5" (BJ Type SDD, C, F and LF) *Diamond Tooth*
TDWWAAX	1/2" X 1-1/4" X 5-7/8" (Web Wilson *NEW* Type AAX)
TDWWB	3/8" X 1" X 5-3/4" (Web Wilson *OLD* Type AAX & B)
TDWWC	3/8" X 1" X 4-1/4" (Web Wilson Type C, D, and ADF)

Power Tong , Reducing Tong, & MS Backup Dies

PECO PN#	Description
27494-1P	2-3/8" Tong Die for BJ Style RS/BTS Tong
27498-1P	2-7/8" Tong Die for BJ Style RS/BTS Tong
6473P	3-1/2"-4" Tong Die for BJ Power Tongs
24554P	4 1/2" Tong Die w/ Slot for BJ Power Tongs
46-2310	2-3/8" x 1" Tong Reducing Die for BJ Style RS/BTS Tong
46-2312	2-3/8" x 1-1/4" Tong Reducing Die for BJ Style RS/BTS Tong
46-2314	2-3/8" x 1-1/2" Tong Reducing Die for BJ Style RS/BTS Tong
46-2321	2-3/8" x 2-1/16" Tong Reducing Die for BJ Style RS/BTS Tong
46-2710	2-7/8" x 1" Tong Reducing Die for BJ Style RS/BTS Tong
46-2712	2-7/8" x 1-1/4" Tong Reducing Die for BJ Style RS/BTS Tong
46-2714	2-7/8" x 1-1/2" Tong Reducing Die for BJ Style RS/BTS Tong
46-2721	2-7/8" x 2-1/16" Tong Reducing Die for BJ Style RS/BTS Tong
46-2723	2-7/8" x 2-3/8" Tong Reducing Die for BJ Style RS/BTS Tong
6209P	Die, 3/8" x 1" x 1-15/16" (with Slots) **(For MS Backup)**

***** ALL OTHER TONG DIES / INSERTS ARE AVAILABLE UPON REQUEST.*****



MANUAL SLIP DIES

“DU” Style

4 1/2” BODY

PECO PN#	DESCRIPTION
4144-16	1 1/4" (1.660")
4144-19	1 1/2" (1.900")
4144-20	2" (Full Face)
4144-21	2 1/16"
4144-23	2 3/8"
4144-27	2 7/8"
4144-30	3" (Full Face)
4144-31	3 1/8" (Full Face)
4144-32	3 1/4" (Full Face)
4144-34	3 1/2"
4144-36	3 3/4" (Full Face)
4144-40	4"
4144-41	4 1/8" (Full Face)
4144-42	4 1/4" (Full Face)
4144-43	4 3/8" (Full Face)
4144-44	4 1/2"

5 1/2” BODY

PECO PN#	DESCRIPTION
4154-27	2 7/8"
4154-30	3" (Full Face)
4154-31	3 1/8" (Full Face)
4154-32	3 1/4" (Full Face)
4154-34	3 1/2"
4154-36	3 3/4" (Full Face)
4154-40	4"
4154-41	4 1/8" (Full Face)
4154-42	4 1/4" (Full Face)
4154-43	4 3/8" (Full Face)
4154-44	4 1/2"
4154-46	4 3/4" (Full Face)
4154-50	5"
4154-54	5 1/2"

VARCO “SD” Style

PECO PN#	DESCRIPTION
7123-34	2 3/8" x 3 1/2" (SDS,SDML)
7127-34	2 7/8" x 3 1/2" (SDS,SDML)
7134-34	3 1/2" x 3 1/2" (SDS,SDML)
7134-44	3 1/2" x 4 1/2" (SDS,SDML, SDXL)
7140-44	4" x 4 1/2" (SDS,SDML, SDXL)
7144-44	4 1/2" x 4 1/2" (SDS,SDML, SDXL)
7140-50	4" x 5" (SDML, SDXL)
7144-50	4 1/2" x 5" (SDML, SDXL)
7150-50	5" x 5" (SDML, SDXL)
7144-55	4 1/2" x 5 1/2" (SDML, SDXL)
7150-55	5" x 5 1/2" (SDML, SDXL)
7155-55	5 1/2" x 5 1/2" (SDML, SDXL)
7165-70	6 5/8" x 7" (SDXL)
7170-70	7" x 7" (SDXL)

WOOLLEY “B” Style

PECO PN#	DESCRIPTION
4044-21	2 1/16" X 4 1/2"
4044-23	2 3/8" X 4 1/2"
4044-27	2 7/8" X 4 1/2"
4044-34	3 1/2" X 4 1/2"
4044-40	4" X 4 1/2"
4044-44	4 1/2" X 4 1/2"
4054-34	3 1/2" X 5 1/2"
4054-40	4" X 5 1/2"
4054-44	4 1/2" X 5 1/2"
4054-50	5" X 5 1/2"
4054-54	5 1/2" X 5 1/2"
4085-85	8 5/8" X 8 5/8"

WOOLLEY “A” Style

PECO PN#	DESCRIPTION
4030-10	Insert

“C-1” Style

PECO PN#	DESCRIPTION
-	3" x 4 1/2"
-	3 3/4" x 5 1/4"
-	4 1/4" x 5 3/4"
4200-54	5 1/2" x 7"

4 1/2” TS-100

PEO PN#	DESCRIPTION
4144-16	1 1/4" (1.660" X 4 1/2")
4144-19	1 1/2" (1.900" X 4 1/2")
4144-20	2" X 4 1/2" (Full Face)
4144-21	2 1/16" X 4 1/2"
4144-23	2 3/8" X 4 1/2"
4144-27	2 7/8" X 4 1/2"
4144-30	3" X 4 1/2" (Full Face)
4144-31	3 1/8" X 4 1/2" (Full Face)
4144-32	3 1/4" X 4 1/2" (Full Face)
4144-34	3 1/2" X 4 1/2"
4144-36	3 3/4" X 4 1/2" (Full Face)
4144-40	4" X 4 1/2"
4144-41	4 1/8" X 4 1/2" (Full Face)
4144-42	4 1/4" X 4 1/2" (Full Face)
4144-43	4 3/8" X 4 1/2" (Full Face)
4144-44	4 1/2" X 4 1/2"

3 1/2” TS-100

PECO PN#	DESCRIPTION
4134-16	1 1/4" (1.660" X 3 1/2")
4134-19	1 1/2" (1.900" X 3 1/2")
4134-20	2" X 3 1/2"
4134-21	2 1/16" X 3 1/2"
4134-23	2 3/8" X 3 1/2"
4134-27	2 7/8" X 3 1/2"
4134-30	3" X 3 1/2"
4134-31	3 1/8" X 3 1/2"
4134-32	3 1/4" X 3 1/2"
4134-33	3 3/8" X 3 1/2"
4134-34	3 1/2" X 3 1/2"

5 1/2” TS-100

PEO PN#	DESCRIPTION
4154-27	2 7/8" X 5 1/2"
4154-30	3" X 5 1/2" (Full Face)
4154-31	3 1/8" X 5 1/2" (Full Face)
4154-32	3 1/4" X 5 1/2" (Full Face)
4154-34	3 1/2" X 5 1/2"
4154-36	3 3/4" X 5 1/2" (Full Face)
4154-40	4" X 5 1/2"
4154-41	4 1/8" X 5 1/2" (Full Face)
4154-42	4 1/4" X 5 1/2" (Full Face)
4154-43	4 3/8" X 5 1/2" (Full Face)
4154-44	4 1/2" X 5 1/2"
4154-46	4 3/4" X 5 1/2" (Full Face)
4154-50	5" X 5 1/2"
4154-54	5 1/2" X 5 1/2"

*** ALL OTHER SLIP DIES / INSERTS / BUTTONS ARE AVAILABLE UPON REQUEST. ***

SPIDER SLIP INSERTS / DIES

HYDRA RIG 225

PECO PN#	DESCRIPTION
HR22538	2 3/8" X 5 1/2"
HR22578	2 7/8" X 5 1/2"
HR22535	3 1/2" X 5 1/2"
HR22545	4 1/2" X 5 1/2"
HR22555	5 1/2" X 5 1/2"

GUIBERSON INSERTS / DIES

PECO PN#	DESCRIPTION
77-1327	1.315" x 3 1/2" (T-40=12 / T=60=18)
77-1627	1.660" x 2 7/8" (T-40=12 / T=60=18)
77-1927	1.900" x 2 7/8" (T-40=12 / T=60=18)
77-2127	2 1/16" x 2 7/8" (T-40=12 / T=60=18)
77-2327	2 3/8" x 2 7/8" (T-40=12 / T=60=18)
77-2727	2 7/8" x 2 7/8" (T-40=12 / T=60=18)
77-3434	3 1/8" x 3 1/2" (T-40=12 / T=60=18)

MODEL C SPIDER INSERTS / DIES

PECO PN#	DESCRIPTION
4634-13	1.315" x 3 1/2" INSERT
4634-16	1.660" x 3 1/2" INSERT
4634-19	1.900" x 3 1/2" INSERT
4634-21	2 1/16" x 3 1/2" INSERT
4634-23 or TC651-3.500x2.375	2 3/8" x 3 1/2" INSERT
4634-27 or TC651-3.500x2.875	2 7/8" x 3 1/2" INSERT
4634-31	3 1/8" x 3 1/2" INSERT
4634-34 or TC650-3.500	3 1/2" x 3 1/2" INSERT

***** ALL OTHER SLIP DIES / INSERTS ARE AVAILABLE UPON REQUEST. *****



ELEVATOR SPRINGS



Springs For BJ® Style Slip Type Elevators



1



2



3



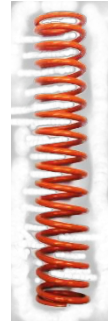
4



5



6



7



8



9



10



11



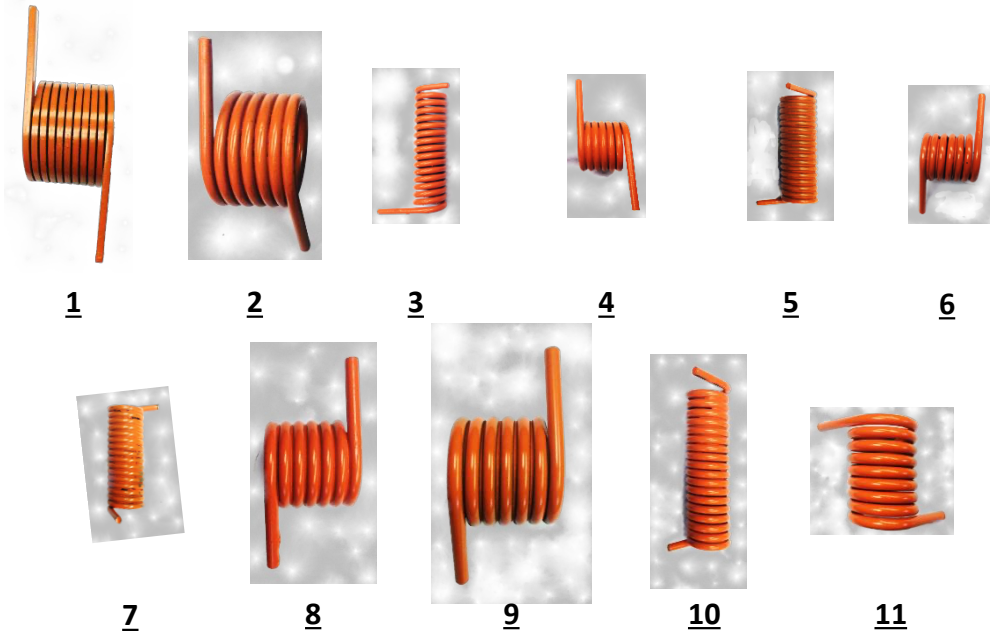
12



13

Item	PECO PN#	Description	OEM
1	LYTLLS	Latch Lock Spring f/ LYT	28769
2	LYTLS	Latch Spring f/ LYT	32486
3	LYTSSP	Slip Spring f/ LYT	28761
4	MYTLLS	Latch Lock Spring f/ MYT	29349
5	MYTLS	Latch Spring f/ MYT	29338
6	MYTLSOS	Oversized Latch Spring f/ MYT	-
7	MYTSSP	Slip Spring f/ MYT	29340
8	YTLS	Latch Spring f/ YT	12978
9	YTSSP	Slip Spring f/ YT	23113
--	HYTLLS	Latch Lock Spring f/ HYT	-
--	HYTLS	Latch Spring f/ HYT	-
10	HYTSSP	Slip Spring f/ HYT	-
8	YCLS	Latch Spring f/ YC	12978
11	YCSSP	Slip Spring f/ YC	-
12	HYCLLS	Latch Lock Spring f/ HYC	13188
13	HYCLS	Latch Spring f/ HYC	34909
--	HYCSSP	Slip Spring f/ HYC	-

Springs For BJ® Style "A" Series Type Elevators



Item	PECO PN#	Description	OEM
--	BJAADCS	Door Catch spring f/ "AA"	9561
1	BJAALS3.5-4.5	Latch spring f/ "AA" 3 1/2"-4 1/2"	11766
2	BJAALS4.5IF-7	Latch spring f/ "AA" 4 1/2"IF-7"	12978
1	BJMAALS2.375-4.5	Latch spring f/ "MAA" 2 3/8"-4 1/2"	11766
2	BJMAALS4.5IF-7	Latch spring f/ "MAA" 4 1/2"IF-7"	12978
--	BJRALS2.375-3.5	Latch spring f/ "RA" 2 3/8"-3 1/2"..	25465
1	BJRALS4-7	Latch spring f/ "RA" 4"-7"	11766
3	BJSLA100LLS	Latch Lock Spring f/ SLA-100	29349
4	BJSLA100LS	Latch Spring f/ SLA-100	29338
5	BJTA35LLS	Latch Lock Spring f/ "TA-35"	32483
6	BJTA35LS	Latch Spring f/ "TA-35"	32482
7	BJTA65LLS	Latch Lock Spring f/ "TA-65"	32469
8	BJTA65LS	Latch Spring f/ "TA-65"	32470
9	BJTA65LSOS	Oversized Latch Spring f/ "TA-65"	-
7	BJTA100LLS	Latch Lock Spring f/ "TA-100"	32469
8	BJTA100LS	Latch Spring f/ "TA-100"	32470
9	BJTA100LSOS	Oversized Latch Spring f/ "TA-100"	-
10	BJTA150LLS	Latch Lock Spring f/ "TA-150"	32758
11	BJTA150LS	Latch Spring f/ "TA-150"	32760
7	BJTMA100LLS	Latch Lock Spring f/ "TMA-100"	32469
8	BJTMA100LS	Latch Spring f/ "TMA-100"	32470
9	BJTMA100LSOS	Oversized Latch Spring f/ "TMA-100"	-



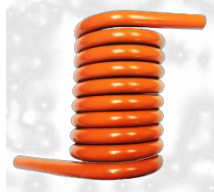
Springs For BJ® Style “G” & “X” Series Type Elevators



1



2



3



4



5

Item	PECO PN#	Description	OEM
1	BJMGLS	Latch spring f/ "MG"	11766
2	BJRGLLS2.375-3.5	Latch Lock Spring f/ "RG" 2 3/8"-3 1/2"	13188
2	BJRGLLS4-5.5	Latch Lock Spring f/ "RG" 4"-5 1/2"	13188
3	BJRGLS2.375-3.5	Latch Spring f/ "RG" 2 3/8"-3 1/2"	23546
--	BJRGLS4-5.5	Latch Spring f/ "RG" 4"-5 1/2"	13155
--	BJMGDCS	Door Catch spring f/ "MGG"	9561
2	BJMGGLLS	Latch Lock Spring f/ "MGG"	13188
4	BJMGGLS	Latch Spring f/ "MGG"	34909
--	BJGGDCS	Door Catch spring f/ "GG"	9561
2	BJGGLLS	Latch Lock Spring f/ "GG"	13188
5	BJGGLS	Latch Spring f/ "GG"	18416



6

Item	PECO PN#	Description	OEM
6	BJSLX150LLS6.625-13.375	Latch Lock Spring f/ SLX-150 6 5/8"-13 3/8"	31404
--	BJSLX150LS6.625-13.375	Latch Spring f/ SLX-150 6 5/8"-13 3/8"	31383

Springs For Web Wilson® Style Elevators



1



2



3



4



5



6



7



8



9



10



11



12



13



14



15

Item	PECO PN#	Description	OEM
1	WWC100HS	Hinge Spring f/ C-100	11-B-21
2	WWC100LLS	Latch Lock Spring f/ C-100	11-A-23
3	WWC100LS	Latch Spring f/ C-100	11-B-22
4	WWC150T100HS	Hinge Spring f/ "C-150" & "T-100"	4-B-21
5	WWC150T100LLS	Latch Lock Spring f/ "C-150" & "T-100"	4-A-23
6	WWC150T100LS	Latch Spring f/ "C-150" & "T-100"	4-B-22
7	WWC250T150HS	Hinge Spring f/ "C-250" & "T-150"	1-A-21
--	WWC250T150LLS	Latch Lock Spring f/ "C-250" & "T-150"	1-A-23
8	WWC250T150LS	Latch Spring f/ "C-250" & "T-150"	1-A-22
9	WWC350T250HS	Hinge Spring f/ "C-350" & "T-250"	2-B-21
--	WWC350T250LLS	Latch Lock Spring f/ "C-350" & "T-250"	2-A-23
10	WWC350T250LS	Latch Spring f/ "C-350" & "T-250"	2-A-22
9	WWT350HS	Hinge Spring f/ "T-350"	2-B-21
--	WWT350LLS	Latch Lock Spring f/ "T-350"	2-A-23
11	WWT350LS	Latch Spring f/ "T-350"	20-B-22
--	WWC30CLS	Cam Lock Spring f/ "C-30"	310
--	WWC30HS	Hinge Spring f/ "C-30"	176
12	WWC30LLS	Latch Lock Spring f/ "C-30"	312
--	WWC30LS	Latch Spring f/ "C-30"	245
--	WWC30WCLS	Cam Lock Spring f/ "C-30W"	310
--	WWC30WHS	Hinge Spring f/ "C-30W"	176
12	WWC30WLLS	Latch Lock Spring f/ "C-30W"	312
--	WWC30WLS	Latch Spring f/ "C-30W"	245
--	WWC65CLS	Cam Lock Spring f/ "C-65"	348
--	WWC65HS	Hinge Spring f/ "C-65"	176
--	WWC65LLS	Latch Lock Spring f/ "C-65"	349
--	WWC65LS	Latch Spring f/ "C-65"	180
--	WWCB65HS	Hinge Spring f/ "CB-65"	8536-5012
13	WWCB65LLS	Latch Lock Spring f/ "CB-65"	8536-5011
14	WWCB65LS	Latch Spring f/ "CB-65"	8536-5010
15	WWH50LHS	Latch Handle Spring f/ "H-50"	119
--	WWH50LS	Latch Spring f/ "H-50"	356
15	WWH100H125H150LHS	Latch Handle Spring f/ "H-100", "H-125", "H-150"	119
--	WWH100H125H150LS	Latch Spring f/ "H-100", "H-125", "H-150"	356
15	WWH200LHS	Latch Handle Spring f/ "H-200"	119
--	WWH200LS	Latch Spring f/ "H-200"	1631

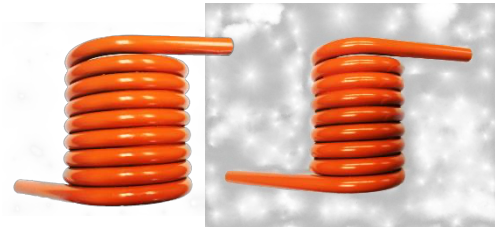


Springs For Woolley Tool Manufacturing® Style Elevators



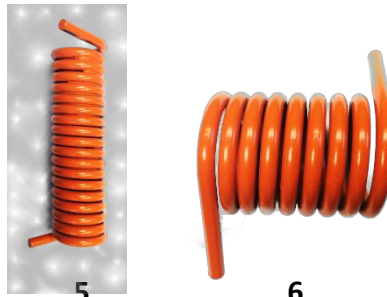
1

2



3

4



5

6

Item	PECO PN#	Description	OEM
1	WTM225LLS	Latch Lock Spring f/ "225"	217-044-0744
2	WTM225LS	Latch Spring f/ "225"	217-044-0944
1	WTM350LLS	Latch Lock Spring f/ "350"	217-044-0744
3	WTM350LS	Latch Spring f/ "350"	217-054-0944
1	WTMBN150LLS	Latch Lock Spring f/ "BN-150"	217-044-0744
4	WTMBN150LS	Latch Spring f/ "BN-150"	
5	WTMC150LLS	Latch Lock Spring f/ "C-150" over 4 1/2"	
6	WTMC150LS	Latch Spring f/ "C-150" over 4 1/2"	

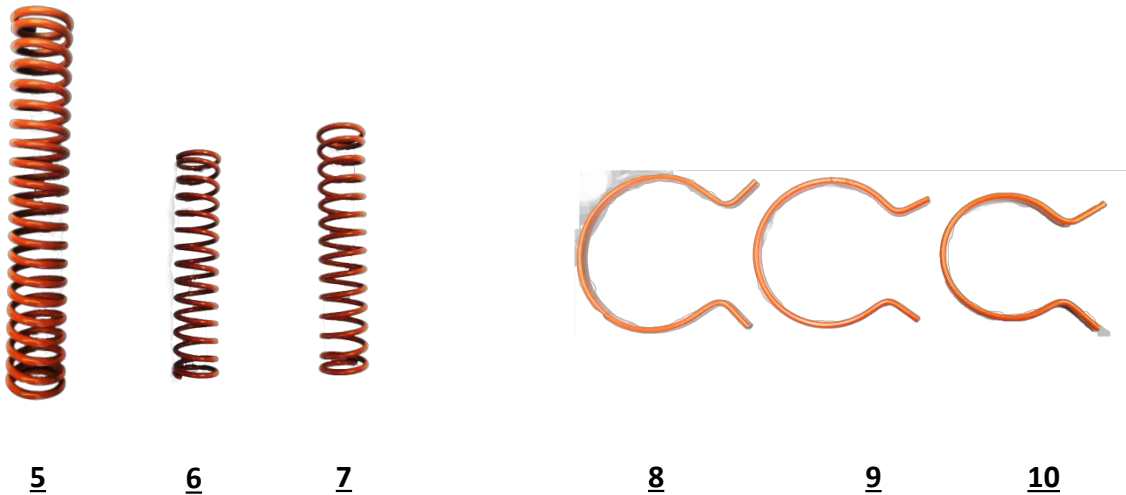
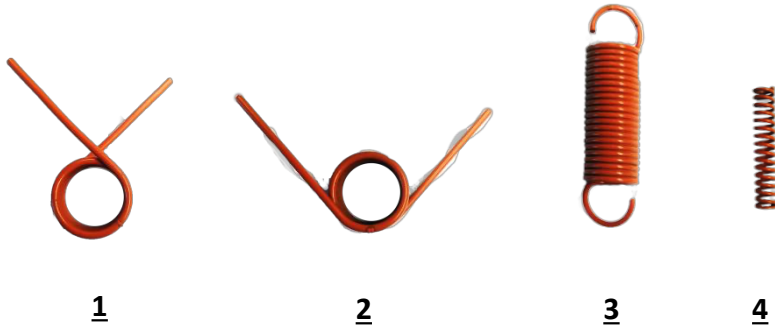


TONG SPRINGS





Manual Tong Springs



ITEM	PECO PN#	DESCRIPTION
1	30574P	"MS" Back-Up short jaw spring (X-spring)
2	30573P	"MS" Back-Up long jaw spring (Y-spring)
3	945031-64P	"MS" Back-Up suspension spring
4	5206P	"MS" Back-Up Latch Spring (1.90"-4 1/2")
5	24525P	Latch Spring For BJ Style "DB" & "SDD"
6	9561P	Latch Spring For BJ Style "B" & "C"
7	617-101-0119P	Latch Spring For Woolley Style "B" Tong
8	4705P	Latch Spring f/ Web Wilson Style "H" & "ST-160" Tong
9	4210P	Latch Spring f/ Web Wilson Style "C" & "D" Tong
10	4510P	Latch Spring for Web Wilson Style "AAX" , "ST-60" , "B" Tong



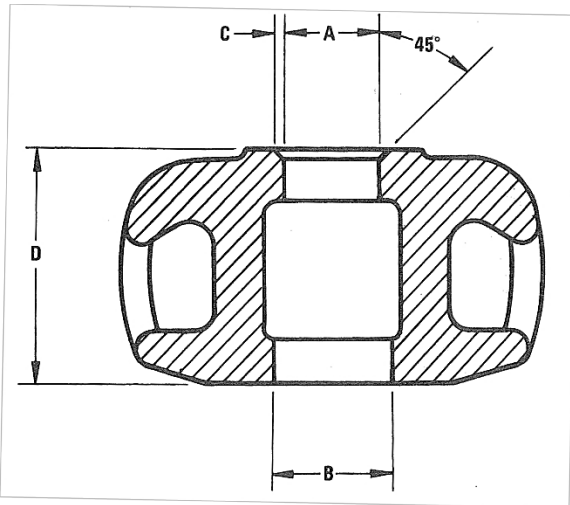
**ELEVATOR BORE
CHARTS**



ELEVATOR BORE CHARTS

BORES FOR DRILL COLLARS WITH ZIP LIFT RECESS

Drill Collar O.D.	Bore Code	Top Bore "A"	Bevel "C"	Bottom Bore "B"	Type Elev.	Cap. In Tons	Nom. Height "D"
4 1/8	177	3 13/16	1/16	4 1/4	TA	100	10
					TA	65	9
					SLX	100	9 1/4
4 3/4	435	4 3/8	1/16	4 7/8	TA	100	10
					TA	65	9
					SLX	100	9 1/4
5 1/4	179	4 7/8	1/16	5 3/8	SLX	100	9 1/4
5 1/2	180	5 1/8	1/16	5 5/8	SLX	100	9 1/4
5 3/4	181	5 1/4	1/16	5 7/8	SLX	100	9 1/4
6	362	5 1/2	1/16	6 1/8	SLA	100	11 3/8
					SLX	100	9 1/4
					TA	150	12 3/8
6 1/4	337	5 3/4	1/16	6 3/8	SLA	100	11 3/8
					SLX	150	11 1/4
					TA	150	12 3/8
6 1/2	373	6	1/16	6 5/8	SLA	100	11 3/8
					SLX	150	11 1/4
					TA	150	12 3/8
6 3/4	387	6 3/16	3/32	6 7/8	SLA	100	11 3/8
					SLX	150	11 1/4
					TA	150	12 3/8
7	361	6 7/16	3/32	7 1/8	SLA	100	11 3/8
					SLX	150	11 1/4
					TA	150	12 3/8
7 1/4	357	6 11/16	3/32	7 3/8	SLA	100	11 3/8
					SLX	150	11 1/4
					TA	150	12 3/8
7 1/2	188	6 15/16	3/32	7 5/8	SLA	100	11 3/8
					SLX	150	11 1/4
					TA	150	12 3/8
7 3/4	339	7 3/16	3/32	7 7/8	SLA	100	11 3/8
					SLX	150	11 1/4
					TA	150	12 3/8
8	336	7 7/16	3/32	8 1/8	SLA	100	11 3/8
					SLX	150	11 1/4
					TA	150	12 3/8
8 1/4	422	7 11/16	3/32	8 3/8	SLA	100	11 3/8
					SLX	150	11 1/4
					TA	150	12 3/8
8 1/2	426	7 15/16	3/32	8 5/8	SLA	100	11 3/8
					SLX	150	11 1/4
					TA	150	12 3/8
9	427	8 3/8	1/8	9 1/8	SLX	150	11 1/4
9 1/2	370	8 7/8	1/8	9 5/8	SLX	150	11 1/4
10	195	9 3/8	1/8	10 1/8	SLX	150	11 1/4
11 1/4	196	10 5/8	1/8	11 3/8	SLX	150	11 1/4



BORE CODES & DIMENSIONS FOR COLLAR-TYPE ELEVATORS

Bore Code	Top Bore	Bottom Bore
101	3 3/8	3 1/8
102	3 13/16	3 3/4
103	4 1/16	3 3/4
104	4 5/16	4 1/4
105	4 13/16	4 3/4
106	5 5/16	5 1/4
107	5 7/8	5 13/16
108	3 1/8	3 1/8
109	2 5/8	2 5/8
110	2 3/4	2 3/4
111	3 1/2	3 1/2
112	3 1/16	3 1/16
113	5 11/16	5 11/16
114	6 1/4	6 1/4
115	2 13/16	2 13/16

ELEVATOR BORE CHARTS

BORE CODES FOR DRILL PIPE

DRILL PIPE DATA		BORE CODE		
Size	Type Upset	Tool Joint	Square Shoulder	18° Tapered Shoulder
2 3/8	IU	API Reg.	109	...
	EU	NC26 (IF) WO OH SL-H90	110	116
2 7/8	IU	API Reg. XH	108	117
	EU	NC31 (IF) WO OH SL-H90	101	118
3 1/2	IU	API Reg. API FH	102	119
	EU	NC38 (IF) WO OH SL-H90	103	120
4	IU	NC40 (FH) H90	104	121
	EU	NC46 (IF) WO OH	105	122
4 1/2	IU IEU	NC46 (XH) FH H90	105	122
	EU	NC50 (IF) WO OH	106	123
5	IEU	NC50 (XH) 4 1/2 IF 5 1/2 FH	106	123
5 1/2	IEU	FH	107	124

A.P.I. CASING ELEVATORS

Casing Size	Bore Code	Elevator Bore
4 1/2	129	4 19/32
4 3/4	130	4 27/32
5	131	5 3/32
5 1/2	132	5 19/32
5 3/4	133	5 27/32
6	134	6 3/32
6 5/8	135	6 23/32
7	136	7 3/32
7 5/8	137	7 3/4
8 5/8	139	8 3/4
9	140	9 1/8
9 5/8	141	9 3/4
10 3/4	142	10 7/8
11 3/4	143	11 29/32
13 3/8	144	13 17/32
16	145	16 3/16
18 5/8	146	18 25/32
20	147	20 7/32
21 1/2	148	21 21/32
24 1/2	149	24 21/32

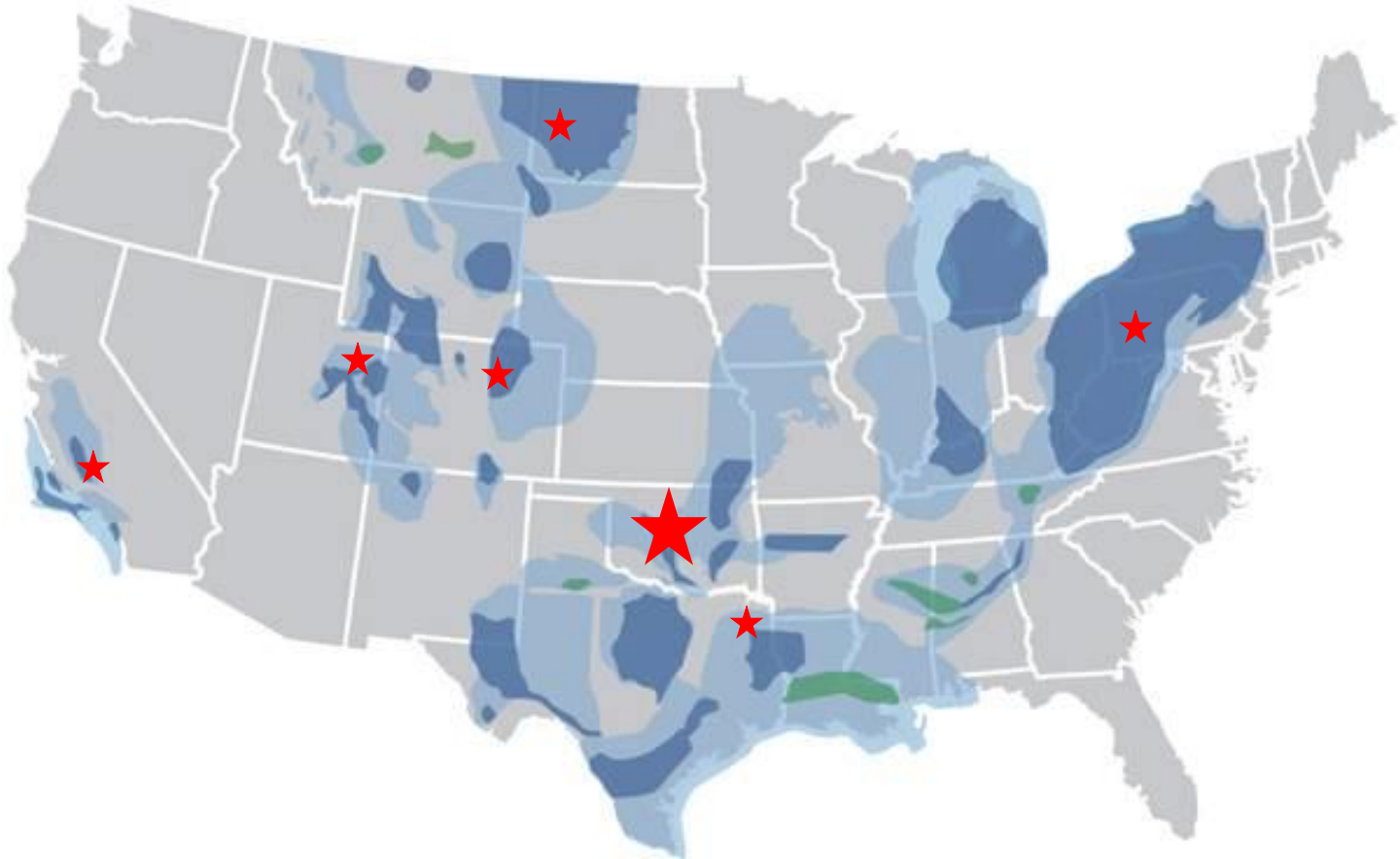
BORE CODES FOR TUBING

Tubing Size	Style	Bore Code	Top Bore	Bottom Bore
1.050	PLAIN UPSET	150	1-5/32	1 13/32
		151	1-13/32	
1.315		152	1-13/32	1 19/32
		153	1-19/32	
1.660		154	1-3/4	1 29/32
		155	1-29/32	
1.900		156	2	2 3/16
		157	2-3/16	
2 3/8		158	2-15/32	2 23/32
		159	2-23/32	
2 7/8	160	2-31/32	3 7/32	
	161	3-7/32		
3 1/2	162	3-19/32	3 27/32	
	163	3-27/32		
4	164	4-3/32	4 11/32	
	165	4-11/32		
4 1/2	166	4-19/32	4 27/32	
	167	4-27/32		



WWW.PECO-OKC.COM

LOCATIONS



Oklahoma City, OK (405) 672-6303

Washington, PA (724) 288-3029

Kilgore, TX (903) 235-9446

Greeley, CO (719) 641-3690

Vernal, UT (435) 828-0694

Williston, ND (701) 651-2984

Bakersfield, CA (661) 869-1597



REBUILDER OF POWER TONGS & ELEVATORS

1-405-677-7901

WWW.BIGTOILTOOLS.COM



- **Repair & Rebuilders of all Makes & Models of Power Tongs, Spiders, and Elevators.**
- **Casing, Tubing & Sucker Rod Power Tongs**
- **Air/Hydraulic Casing & Tubing Slips/Spiders**
- **Accessories & Repair Parts**
- **Power Tong Rentals**
- **Complete Line of Brake Blocks & Draw-works Sets**
- **MPI Tests**
- **Load/Pull Test**





Blowout Preventers & Replacement Parts

Annular B.O.P.s
Single, Double, & Triple Ram B.O.P.s
Replacement Parts & Rubbers
Ram Blocks
Annular Elements
And More!!!

Handling Tools

Elevators, Tongs, Slips, Safety Clamps
Replacement Parts
Inserts & Dies
Safety Handles
And More!!!

Drill Pipe Float Valves

Plunger Models & Flapper Models
Standard / High Temp. / H2S
Replacement Parts & Complete Repair Kits
Baffle Plates / Pullers

Rubber Goods

GK & Annular Elements
Ram Packers & Top Seals
Door Seal & Seal Kits
Stripper Rubbers
Pipe / Rod / Line -- Wipers
Union Seals
Oil Savor Rubbers
Bailer Pistons
And More!!!

Ring Joint Gaskets

Low Carbon Steel / Stainless Steel / Rubber Coated
R, RX, & BX Styles

Power Swivels

Replacement Parts
Washpipe / Packing / Brass / And More!!!

Safety & Kelly Valves

Complete Valve & Replacement Parts
Seal Kits / Ball / Seats / Inserts / Stems / Springs

Also Available

Stripper Heads & Replacement Rubbers
Plug Valves & Repair Kits
Swivel Joints & Repair Kits
Hammer Unions
Stabbing Guides - Standard or Heavy Duty
Studs & Nuts
Pump Expendables

Thread Protectors
Mud Gauges
Shear Relief Valves
Jet-Lube Lubricants
Casing Scrapers
Oak Lumber
AND MORE!!!

